

• **Spare Parts List**

SC08.1-2-3 GM

SC10.1-2-3 GM

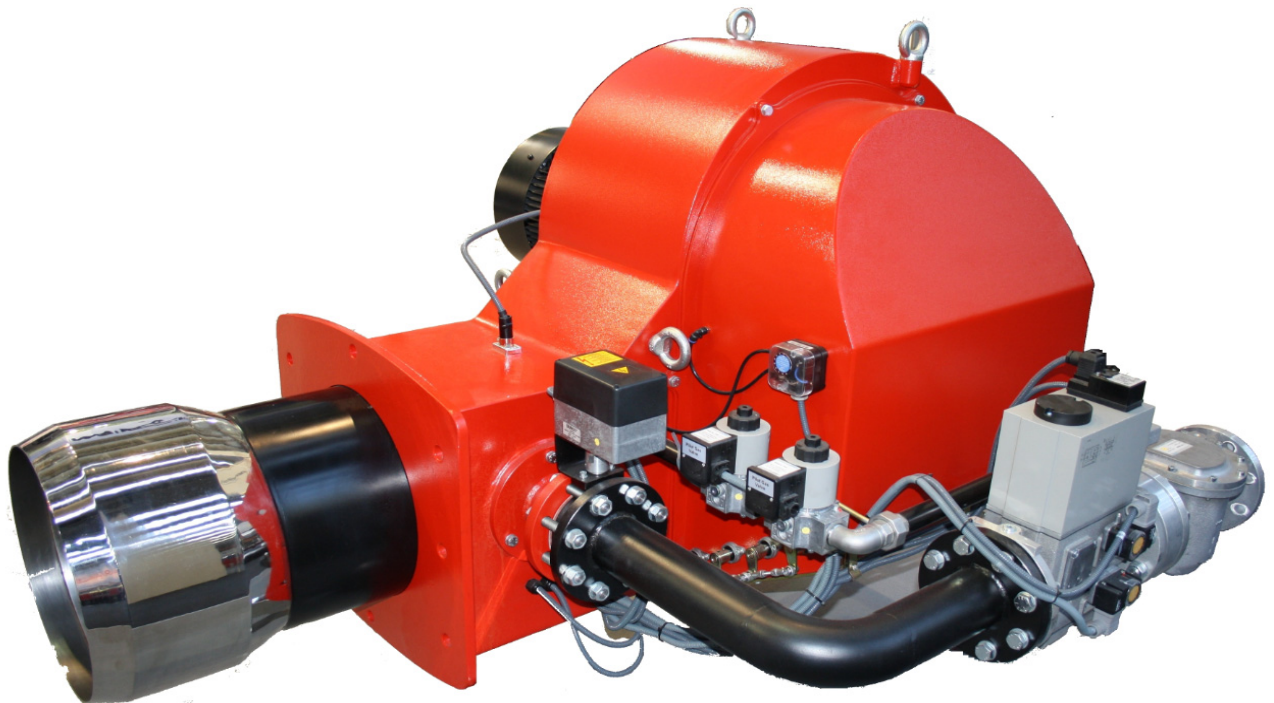
SC12.1-2-GM

SC14.1-2-GM

SC16.1-2-GM

Issued in May 2012
Right reserved to effect techn.
modifications in the interest of product
improvement!

Gas

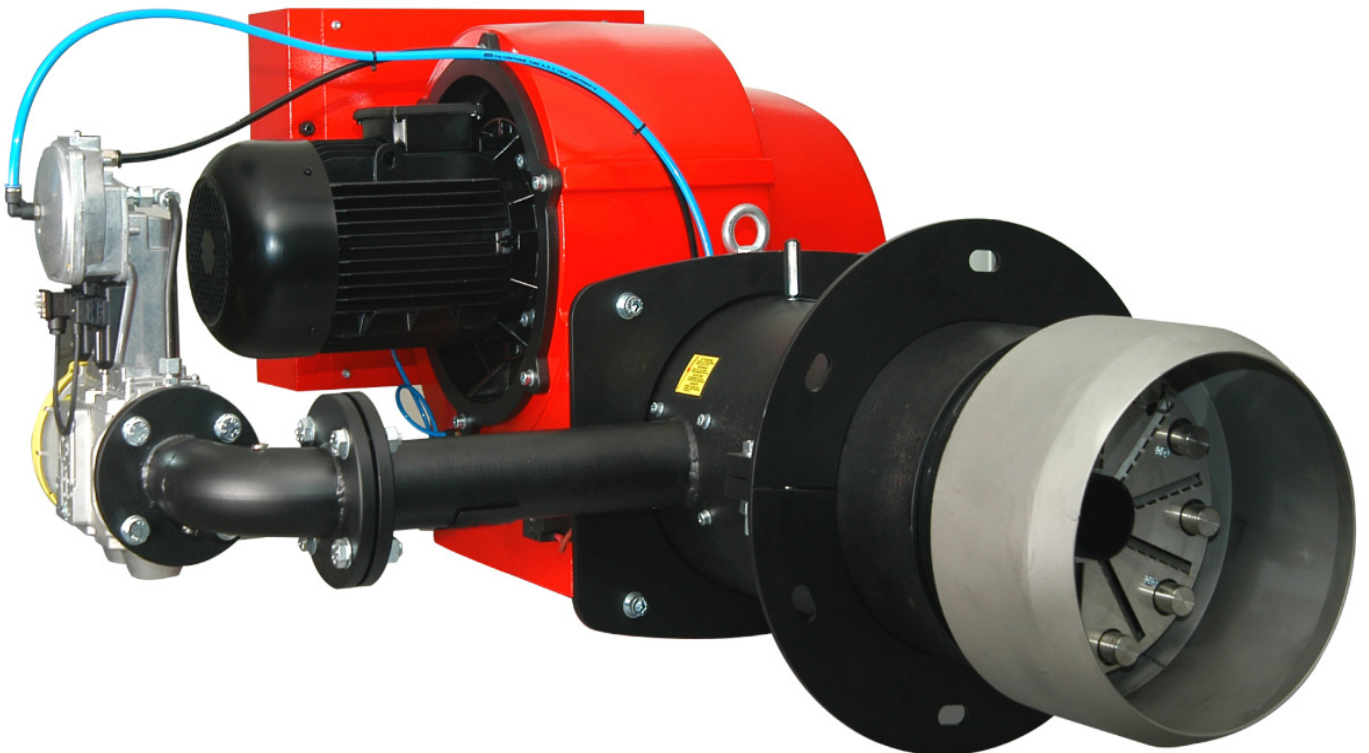


• Spare Parts List

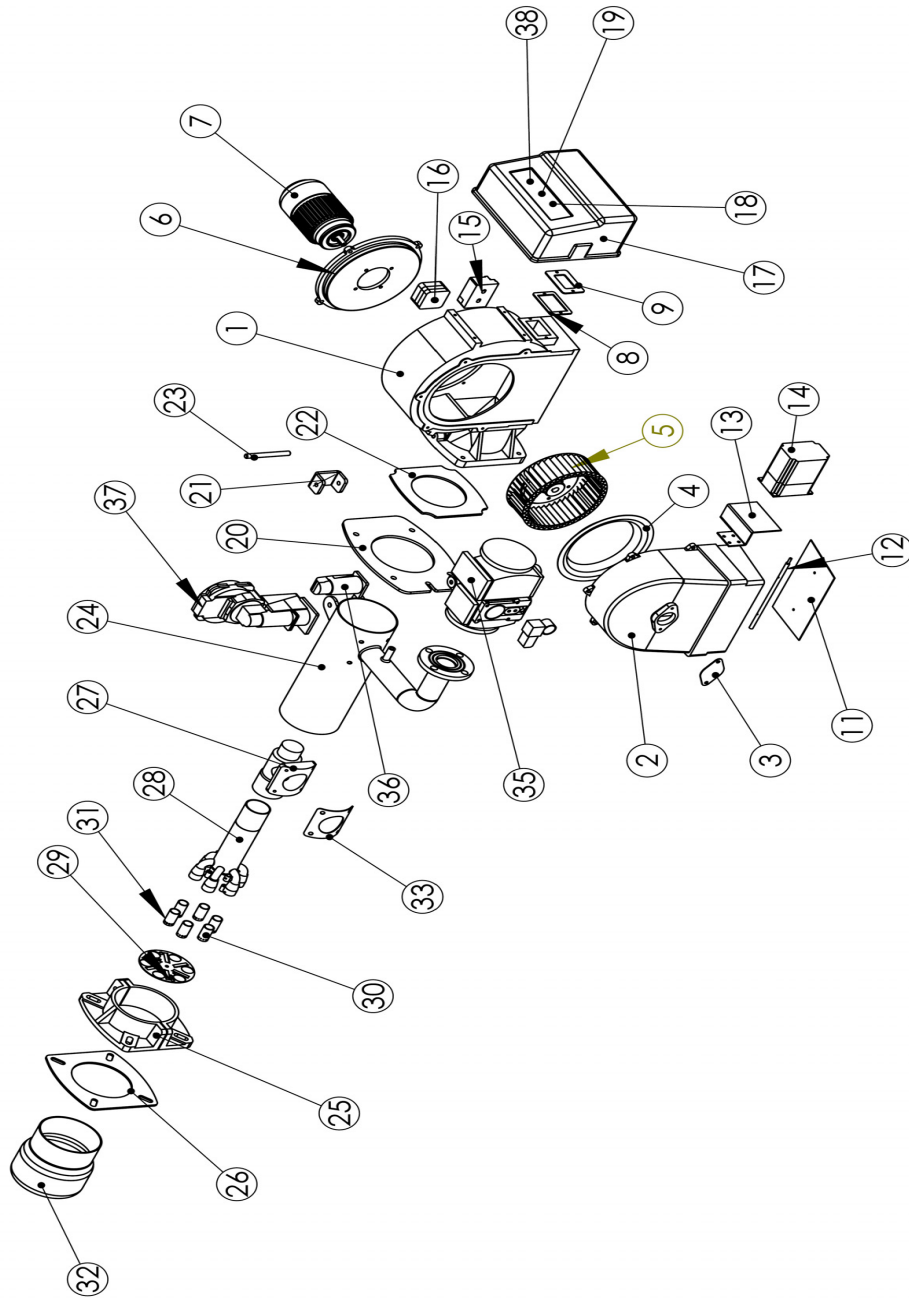
SC8.1-2-3-GM

Issue May 2012
Right reserved to effect technical modifications in the interest of product improvement.

Gas



Exploded drawing



Spare Parts List SC 08.1

Pos.	Designation	Pcs.	Art. No.
1	Burner Housing	1	081321-40001
2	Air Flap Housing	1	081322-40001
3	Air Flap Housing Inspection Cover	1	021312-30003
4	Fan Upside Sheet metal	1	081323-30006
5	Fan	1	051324-30001
6	Motor Assembly Flange	1	081321-30001
7	Electric Motor	1	000007-60067
8	Sight Glass Housing	1	141321-30002
9	Sight Glass Cover	1	081321-30003
10	Lift Jack EyeBolt M20	2	000007-60076
11	Air Flap Sheet	2	081322-30001
12	Air Flap Mill	2	081322-30002
13	Servo motor Bracket	1	101322-30004
14	Servo Motor	1	000007-60040
15	Fan Motor Contactor	1	000007-60056
16	Air Pressure Switch	1	000007-60033
17	Electric Box Control Panel	1	051327-40001
18	Control Console	1	081327-20009
19	PID Load Controller	1	000007-60051
20	Burner Hinge Flange	1	081324-30001
21	Burner Hinge Holder	1	022324-20008
22	Burner Hinge Gasket	1	081324-60001
23	Burner Hinge Shaft	1	081324-30002
24	Combustion Group - Pipe	1	081324-40001
25	Boiler Flange	1	081328-40001
26	Flange Gasket	1	081328-30006
27	Burner Gas Group Sleeve	1	051325-30002
28	Burner Gas Group - Mixing Unit	1	051325-40001
29	Burner Diffuser Plate	1	051325-30001
30	Burner Gas Nozzle	1	051325-30003
31	Ignition Electrodes	1	000007-60073
32	Combustion Head	1	051324-40002
33	Burner Gas Group Sleeve Gasket	1	051324-20006
34	Gas Pressure Switch	1	000007-60034
35	Gas Valve	1	000007-60009
36	Actuator SKP15	1	000007-60009
37	Actuator SKP75	1	000007-60027
38	Burner Management System (BMS)	1	000007-60044
39	Gas Leak Check Device VPS	1	000007-60030

Spare Parts List SC 08.2

Pos.	Designation	Pcs.	Art. No.
1	Burner Housing	1	081321-40001
2	Air Flap Housing	1	081322-40001
3	Air Flap Housing Inspection Cover	1	021312-30003
4	Fan Upside Sheet metal	1	081323-30006
5	Fan	1	081324-30001
6	Motor Assembly Flange	1	081321-30001
7	Electric Motor	1	000007-60068
8	Sight Glass Housing	1	141321-30002
9	Sight Glass Cover	1	141321-30003
10	Lift Jack EyeBolt M20	2	000007-60076
11	Air Flap Sheet	2	081322-30001
12	Air Flap Mill	2	081322-30002
13	Servo motor Bracket	1	101322-30004
14	Servo Motor	1	000007-60040
15	Fan Motor Contactor	1	000007-60056
16	Air Pressure Switch	1	000007-60033
17	Electric Box Control Panel	1	051327-40001
18	Control Console	1	081327-20009
19	PID Load Controller	1	000007-60051
20	Burner Hinge Flange	1	082324-30001
21	Burner Hinge Holder	1	082324-20008
22	Burner Hinge Gasket	1	081324-60001
23	Burner Hinge Shaft	1	081324-30002
24	Combustion Group - Pipe	1	082324-40001
25	Boiler Flange	1	082328-40001
26	Flange Gasket	1	082328-30006
27	Burner Gas Group Sleeve	1	082325-30002
28	Burner Gas Group - Mixing Unit	1	082325-40001
29	Burner Diffuser Plate	1	081325-30001
30	Burner Gas Nozzle	1	082325-30003
31	Ignition Electrodes	1	000007-60073
32	Combustion Head	1	051324-40002
33	Burner Gas Group Sleeve Gasket	1	082324-20006
34	Gas Pressure Switch	1	000007-60034
35	Gas Valve	1	000007-60009
36	Actuator SKP15	1	000007-60009
37	Actuator SKP75	1	000007-60027
38	Burner Management System (BMS)	1	000007-60044
39	Gas Leak Check Device VPS	1	000007-60030

Spare Parts List SC 08.3

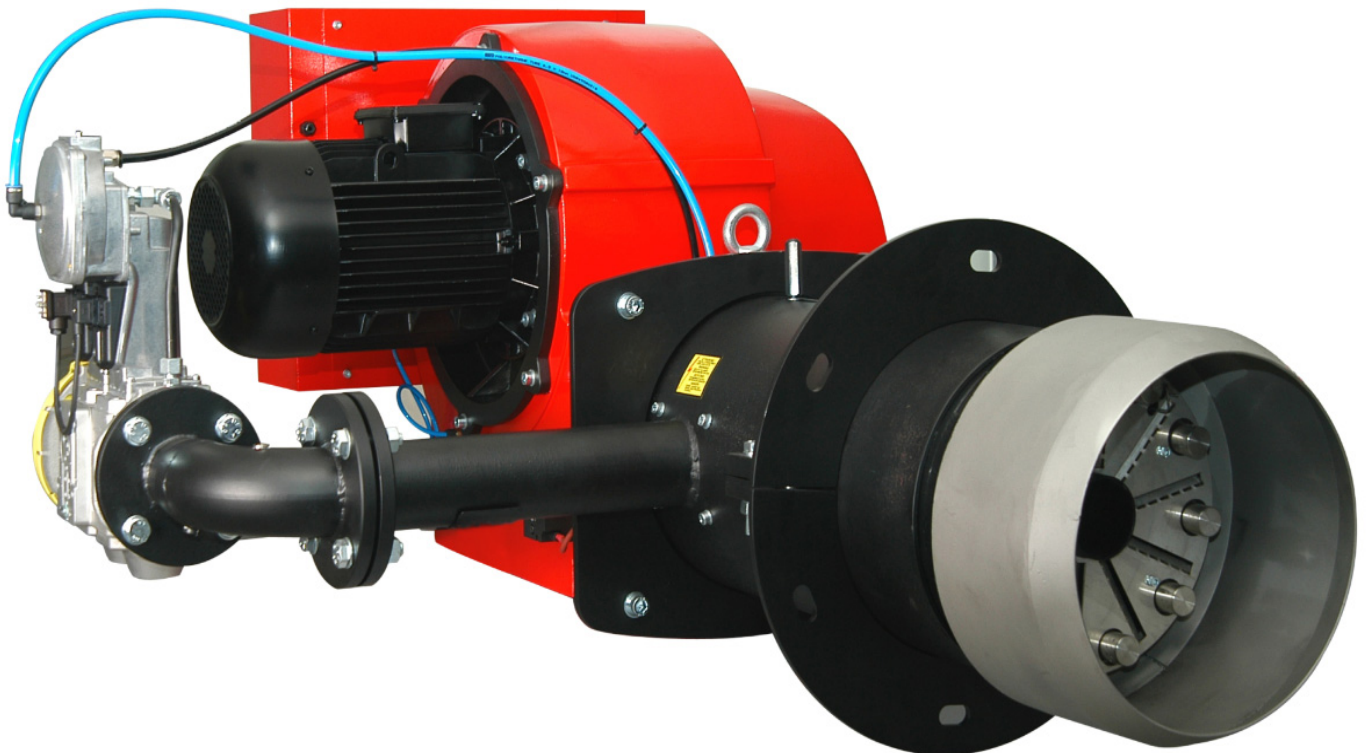
Pos.	Designation	Pcs.	Art. No.
1	Burner Housing	1	081321-40001
2	Air Flap Housing	1	081322-40001
3	Air Flap Housing Inspection Cover	1	081312-30003
4	Fan Upside Sheet metal	1	081323-30006
5	Fan	1	082324-30001
6	Motor Assembly Flange	1	081321-30001
7	Electric Motor	1	000007-60068
8	Sight Glass Housing	1	141321-30002
9	Sight Glass Cover	1	141321-30003
10	Lift Jack EyeBolt M20	2	000007-60076
11	Air Flap Sheet	2	081322-30001
12	Air Flap Mill	2	081322-30002
13	Servo motor Bracket	1	101322-30004
14	Servo Motor	1	000007-60040
15	Fan Motor Contactor	1	000007-60056
16	Air Pressure Switch	1	000007-60033
17	Electric Box Control Panel	1	051327-40001
18	Control Console	1	081327-20009
19	PID Load Controller	1	000007-60051
20	Burner Hinge Flange	1	082324-30001
21	Burner Hinge Holder	1	022324-20008
22	Burner Hinge Gasket	1	081324-60001
23	Burner Hinge Shaft	1	081324-30002
24	Combustion Group - Pipe	1	082324-40001
25	Boiler Flange	1	082328-40001
26	Flange Gasket	1	082328-30006
27	Burner Gas Group Sleeve	1	082325-30002
28	Burner Gas Group - Mixing Unit	1	082325-40001
29	Burner Diffuser Plate	1	081325-30001
30	Burner Gas Nozzle	1	082325-30003
31	Ignition Electrodes	1	000007-60073
32	Combustion Head	1	083324-40002
33	Burner Gas Group Sleeve Gasket	1	083324-20006
34	Gas Pressure Switch	1	000007-60034
35	Gas Valve	1	000007-60009
36	Actuator SKP15	1	000007-60009
37	Actuator SKP75	1	000007-60027
38	Burner Management System (BMS)	1	000007-60044
39	Gas Leak Check Device VPS	1	000007-60030

• Spare Parts List

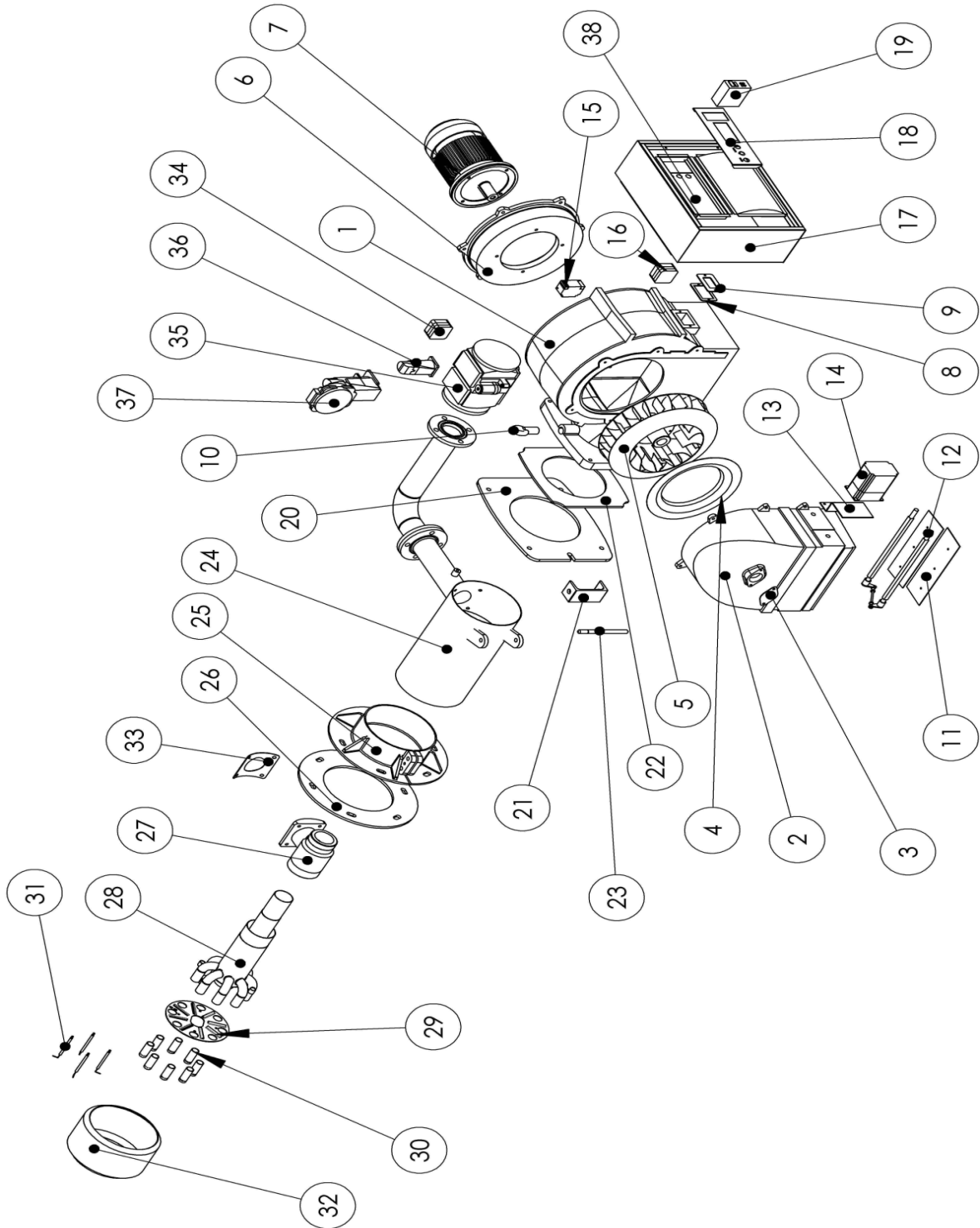
SC10.1-2-3-GM

Issue May 2012
Right reserved to effect technical modifications in the interest of product improvement.

Gas



Exploded drawing



Spare Part List SC 10.1

Pos.	Designation	Pcs.	Art. No.
1	Burner Housing	1	101321-40001
2	Air Flap Housing	1	101322-40001
3	Air Flap Housing Inspection Cover	1	101312-30003
4	Fan Upside Sheet metal	1	101323-30006
5	Fan	1	101324-30001
6	Motor Assembly Flange	1	101321-30001
7	Electric Motor	1	000007-60069
8	Sight Glass Housing	1	141321-30002
9	Sight Glass Cover	1	141321-30003
10	Lift Jack EyeBolt M20	2	000007-60076
11	Air Flap Sheet	2	101322-30001
12	Air Flap Mill	2	101322-30002
13	Servo motor Bracket	1	101322-30004
14	Servo Motor	1	000007-60040
15	Fan Motor Contactor	1	000007-60056
16	Air Pressure Switch	1	000007-60033
17	Electric Box Control Panel	1	101327-40001
18	Control Console	1	121327-20009
19	PID Load Controller	1	000007-60051
20	Burner Hinge Flange	1	101324-30001
21	Burner Hinge Holder	1	022324-20008
22	Burner Hinge Gasket	1	101324-60001
23	Burner Hinge Shaft	1	101324-30002
24	Combustion Group - Pipe	1	101324-40001
25	Boiler Flange	1	082328-40001
26	Flange Gasket	1	082328-30006
27	Burner Gas Group Sleeve	1	082325-30002
28	Burner Gas Group - Mixing Unit	1	082325-40001
29	Burner Diffuser Plate	1	082325-30001
30	Burner Gas Nozzle	1	082325-30003
31	Ignition Electrodes	1	000007-60073
32	Combustion Head	1	082324-40002
33	Burner Gas Group Sleeve Gasket	1	082324-20006
34	Gas Pressure Switch	1	000007-60034
35	Gas Valve	1	000007-60009
36	Actuator SKP15	1	000007-60009
37	Actuator SKP75	1	000007-60027
38	Burner Management System (BMS)	1	000007-60044
39	Gas Leak Check Device VPS	1	000007-60030

Spare Part List SC 10.2

Pos.	Designation	Pcs.	Art. No.
1	Burner Housing	1	101321-40001
2	Air Flap Housing	1	101322-40001
3	Air Flap Housing Inspection Cover	1	101312-30003
4	Fan Upside Sheet metal	1	101323-30006
5	Fan	1	102324-30001
6	Motor Assembly Flange	1	101321-30001
7	Electric Motor	1	000007-60069
8	Sight Glass Housing	1	141321-30002
9	Sight Glass Cover	1	141321-30003
10	Lift Jack EyeBolt M20	2	000007-60076
11	Air Flap Sheet	2	101322-30001
12	Air Flap Mill	2	101322-30002
13	Servo Motor Bracket	1	101322-30004
14	Servo Motor	1	000007-60040
15	Fan Motor Contactor	1	000007-60056
16	Air Pressure Switch	1	000007-60033
17	Electric Box Control Panel	1	101327-40001
18	Control Console	1	101327-20009
19	PID Load Controller	1	000007-60051
20	Burner Hinge Flange	1	101324-30001
21	Burner Hinge Holder	1	102324-20008
22	Burner Hinge Gasket	1	102324-60001
23	Burner Hinge Shaft	1	102324-30002
24	Combustion Group - Pipe	1	102324-40001
25	Boiler Flange	1	102328-40001
26	Flange Gasket	1	102328-30006
27	Burner Gas Group Sleeve	1	102325-30002
28	Burner Gas Group - Mixing Unit	1	102325-40001
29	Burner Diffuser Plate	1	102325-30001
30	Burner Gas Nozzle	1	082325-30003
31	Ignition Electrodes	1	000007-60073
32	Combustion Head	1	102324-40002
33	Burner Gas Group Sleeve Gasket	1	102325-20006
34	Gas Pressure Switch	1	000007-60034
35	Gas Valve	1	000007-60009
36	Actuator SKP15	1	000007-60009
37	Actuator SKP75	1	000007-60027
38	Burner Management System (BMS)	1	000007-60044
39	Gas Leak Check Device VPS	1	000007-60030

Spare Part List SC 10.3

Pos.	Designation	Pcs.	Art. No.
1	Burner Housing	1	101321-40001
2	Air Flap Housing	1	101322-40001
3	Air Flap Housing Inspection Cover	1	101312-30003
4	Fan Upside Sheet metal	1	101323-30006
5	Fan	1	103324-30001
6	Motor Assembly Flange	1	101321-30001
7	Electric Motor	1	000007-60069
8	Sight Glass Housing	1	141321-30002
9	Sight Glass Cover	1	141321-30003
10	Lift Jack EyeBolt M20	2	000007-60076
11	Air Flap Sheet	2	101322-30001
12	Air Flap Mill	2	101322-30002
13	Servo Motor Bracket	1	101322-30004
14	Servo Motor	1	000007-60040
15	Fan Motor Contactor	1	000007-60056
16	Air Pressure Switch	1	000007-60033
17	Electric Box Control Panel	1	101327-40001
18	Control Console	1	101327-20009
19	PID Load Controller	1	000007-60051
20	Burner Hinge Flange	1	101324-30001
21	Burner Hinge Holder	1	102324-20008
22	Burner Hinge Gasket	1	102324-60001
23	Burner Hinge Shaft	1	102324-30002
24	Combustion Group - Pipe	1	102324-40001
25	Boiler Flange	1	102328-40001
26	Flange Gasket	1	102328-30006
27	Burner Gas Group Sleeve	1	102325-30002
28	Burner Gas Group - Mixing Unit	1	102325-40001
29	Burner Diffuser Plate	1	102325-30001
30	Burner Gas Nozzle	1	082325-30003
31	Ignition Electrodes	1	000007-60073
32	Combustion Head	1	102324-40002
33	Burner Gas Group Sleeve Gasket	1	102325-20006
34	Gas Pressure Switch	1	000007-60034
35	Gas Valve	1	000007-60009
36	Actuator SKP15	1	000007-60009
37	Actuator SKP75	1	000007-60027
38	Burner Management System (BMS)	1	000007-60044
39	Gas Leak Check Device VPS	1	000007-60030

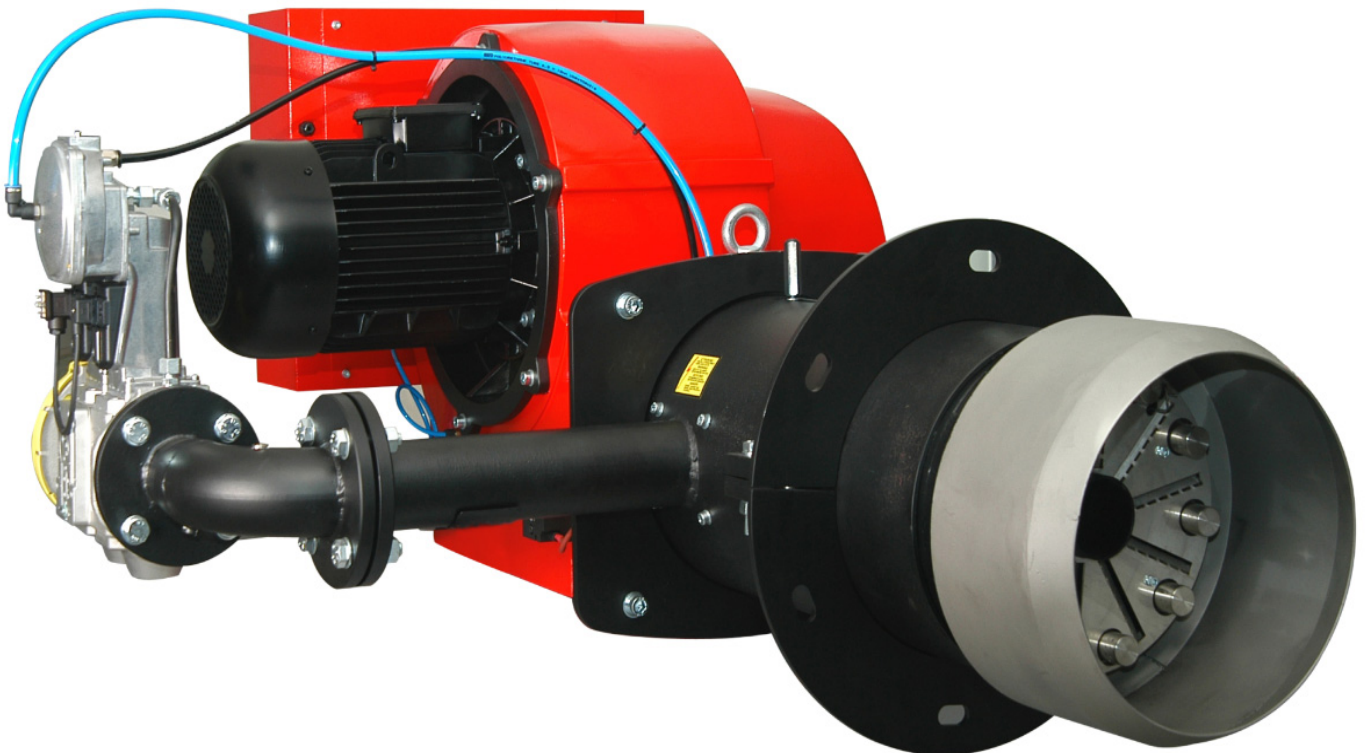
• Spare Parts List

SC12.1-2-GM

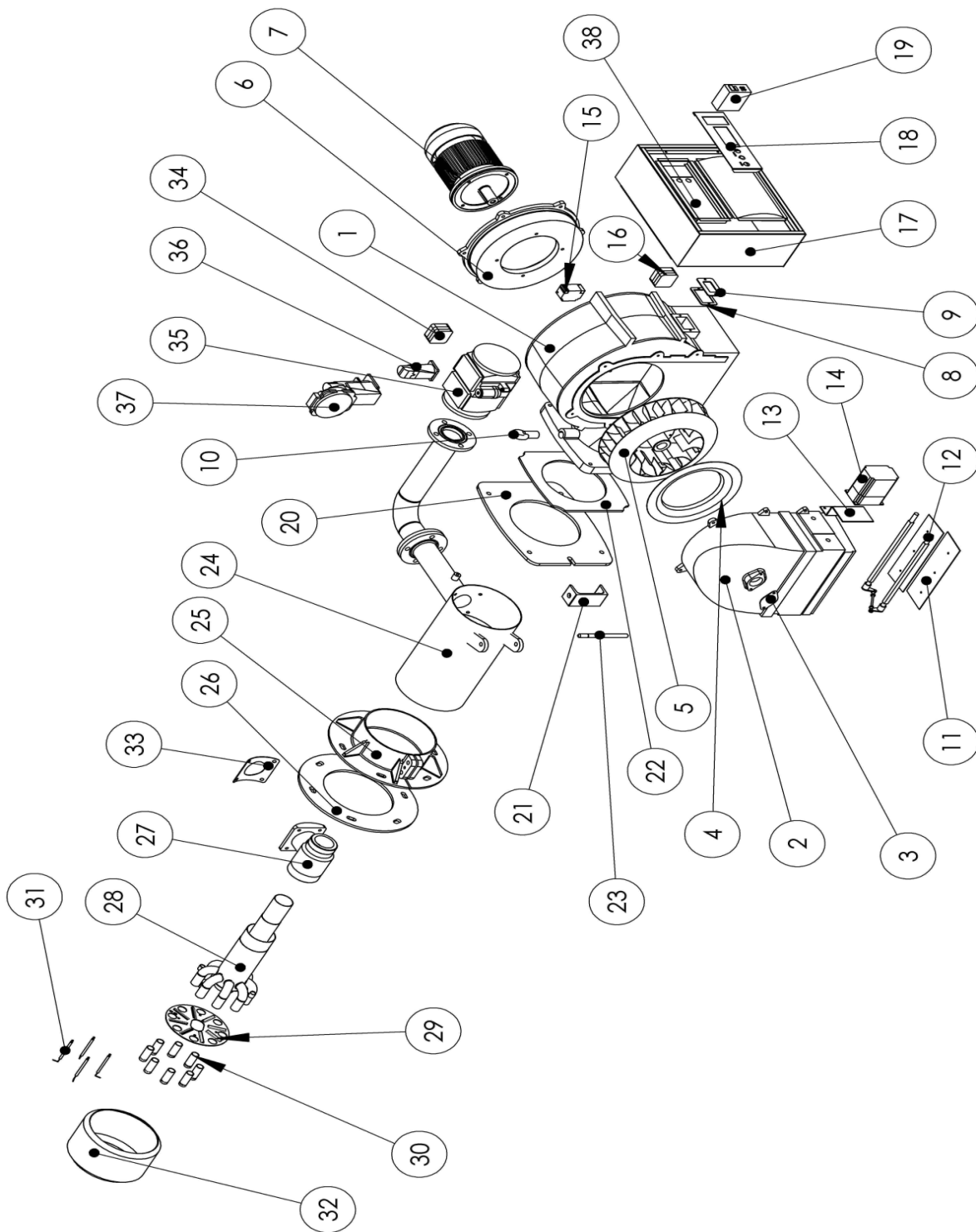
Issue May 2012

Right reserved to effect technical modifications in the interest of product improvement.

Gas



SC 12 Exploded drawing



Spare Parts List SC 12.1

Pos.	Designation	Pcs.	Art. No.
1	Burner Housing	1	121321-40001
2	Air Flap Housing	1	121322-40001
3	Air Flap Housing Inspection Cover	1	121312-30003
4	Fan Upside Sheet metal	1	121323-30006
5	Fan	1	121324-30001
6	Motor Assembly Flange	1	121321-30001
7	Electric Motor	1	000007-60070
8	Sight Glass Housing	1	141321-30002
9	Sight Glass Cover	1	141321-30003
10	Lift Jack EyeBolt M20	2	000007-60076
11	Air Flap Sheet	2	121322-30001
12	Air Flap Mill	2	121322-30002
13	Servo Motor Bracket	1	101322-30004
14	Servo Motor	1	000007-60040
15	Fan Motor Contactor	1	000007-60056
16	Air Pressure Switch	1	000007-60033
17	Electric Box Control Panel	1	121327-40001
18	Control Console	1	121327-20009
19	PID Load Controller	1	000007-60051
20	Burner Hinge Flange	1	121324-30001
21	Burner Hinge Holder	1	102324-20008
22	Burner Hinge Gasket	1	102324-60001
23	Burner Hinge Shaft	1	102324-30002
24	Combustion Group - Pipe	1	121324-40001
25	Boiler Flange	1	102328-40001
26	Flange Gasket	1	102328-30006
27	Burner Gas Group Sleeve	1	102325-30002
28	Burner Gas Group - Mixing Unit	1	102325-40001
29	Burner Diffuser Plate	1	102325-30001
30	Burner Gas Nozzle	1	082325-30003
31	Ignition Electrodes	1	000007-60073
32	Combustion Head	1	102324-40002
33	Burner Gas Group Sleeve Gasket	1	102324-20006
34	Gas Pressure Switch	1	000007-60034
35	Gas Valve	1	000007-60009
36	Actuator SKP15	1	000007-60009
37	Actuator SKP75	1	000007-60027
38	Burner Management System (BMS)	1	000007-60044
39	Gas Leak Check Device VPS	1	000007-60030

Spare Parts List SC 12.2

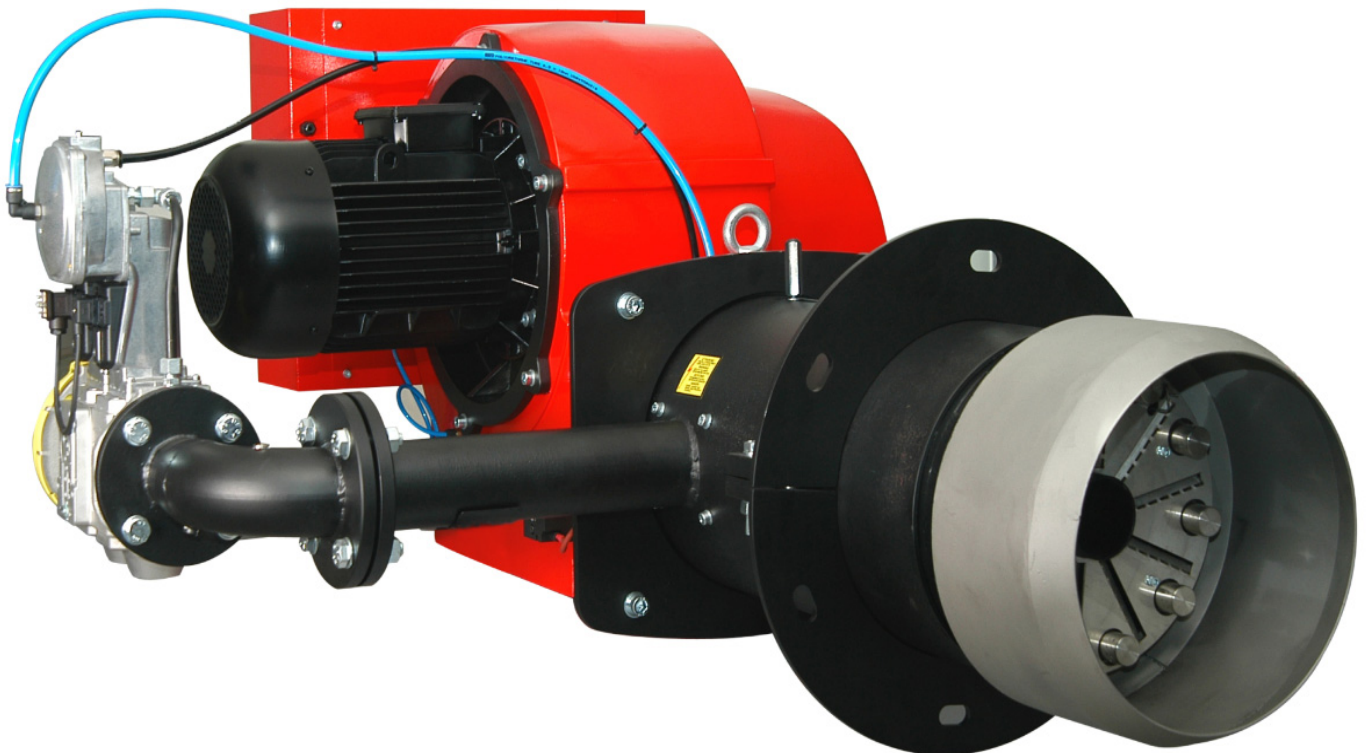
Pos.	Designation	Pcs.	Art. No.
1	Burner Housing	1	122321-40001
2	Air Flap Housing	1	121322-40001
3	Air Flap Housing Inspection Cover	1	021312-30003
4	Fan Upside Sheet metal	1	121323-30006
5	Fan	1	121324-30001
6	Motor Assembly Flange	1	121321-30001
7	Electric Motor	1	000007-60070
8	Sight Glass Housing	1	141321-30002
9	Sight Glass Cover	1	141321-30003
10	Lift Jack EyeBolt M20	2	000007-60076
11	Air Flap Sheet	2	121322-30001
12	Air Flap Mill	2	121322-30002
13	Servo Motor Bracket	1	121322-30004
14	Servo Motor	1	000007-60040
15	Fan Motor Contactor	1	000007-60056
16	Air Pressure Switch	1	000007-60033
17	Electric Box Control Panel	1	121327-40001
18	Control Console	1	121327-20009
19	PID Load Controller	1	000007-60051
20	Burner Hinge Flange	1	122324-30001
21	Burner Hinge Holder	1	122324-20008
22	Burner Hinge Gasket	1	122324-60001
23	Burner Hinge Shaft	1	122324-30002
24	Combustion Group - Pipe	1	122324-40001
25	Boiler Flange	1	122328-40001
26	Flange Gasket	1	122328-30006
27	Burner Gas Group Sleeve	1	122325-30002
28	Burner Gas Group - Mixing Unit	1	122325-40001
29	Burner Diffuser Plate	1	122325-30001
30	Burner Gas Nozzle	8	122325-30003
31	Ignition Electrodes	1	000007-60073
32	Combustion Head	1	122324-40002
33	Burner Gas Group Sleeve Gasket	1	122324-20006
34	Gas Pressure Switch	1	000007-60034
35	Gas Valve	1	000007-60009
36	Actuator SKP15	1	000007-60009
37	Actuator SKP75	1	000007-60027
38	Burner Management System (BMS)	1	000007-60044
39	Gas Leak Check Device VPS	1	000007-60030

• Spare Parts List

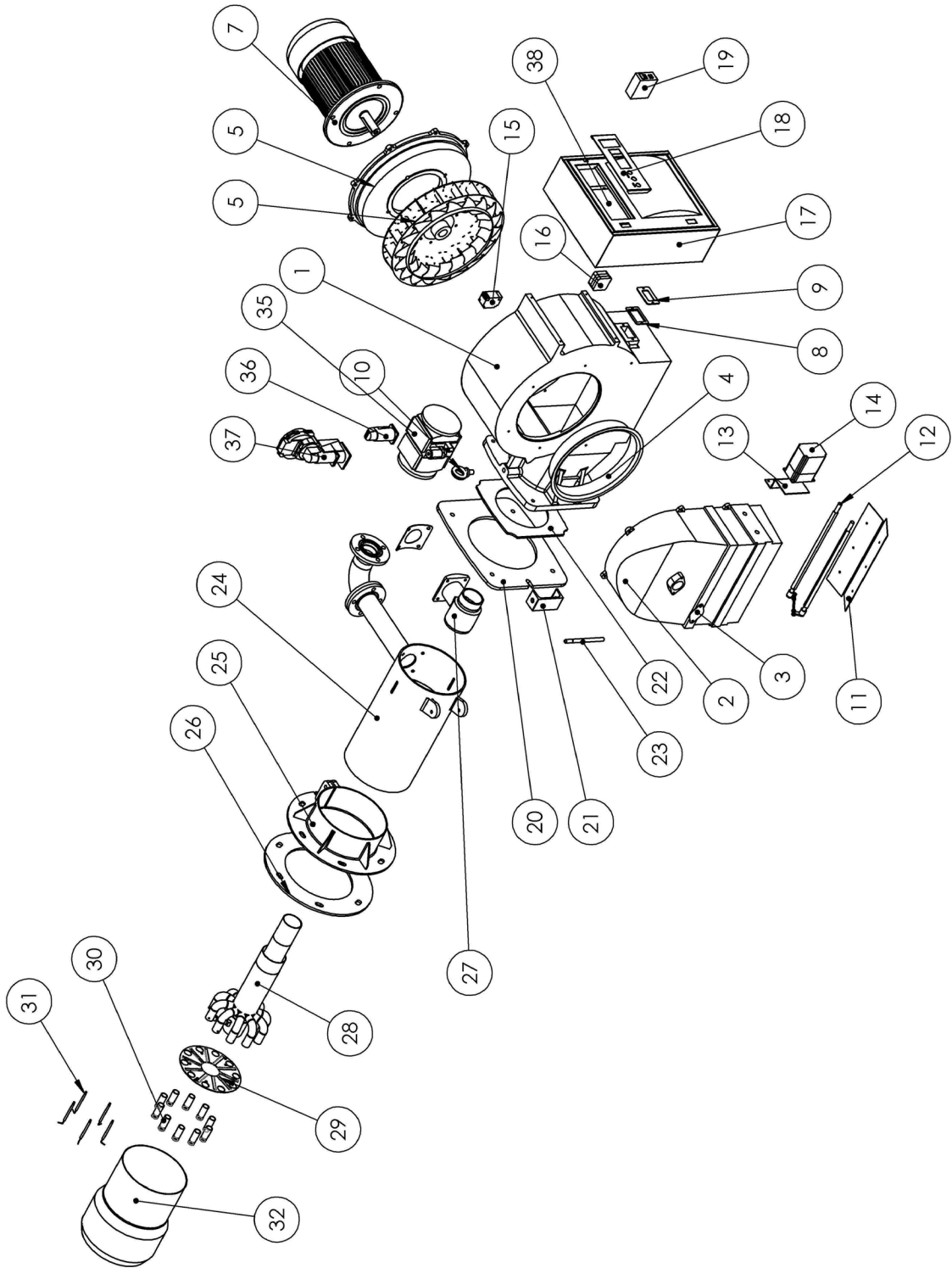
SC14.1-2-GM

Issue May 2012
Right reserved to effect technical modifications in the interest of product improvement.

Gas



SC 14 Exploded drawing



Spare Parts List SC14.1

Pos.	Designation	Pcs.	Art. No.
1	Burner Housing	1	141321-40001
2	Air Flap Housing	1	141322-40001
3	Air Flap Housing Inspection Cover	1	141312-30003
4	Fan Upside Sheet metal	1	141323-30006
5	Fan	1	141324-30001
6	Motor Assembly Flange	1	141321-30001
7	Electric Motor	1	000007-60070
8	Sight Glass Housing	1	141321-30002
9	Sight Glass Cover	1	141321-30003
10	Lift Jack EyeBolt M20	2	000007-60076
11	Air Flap Sheet	2	141322-30001
12	Air Flap Mill	2	141322-30002
13	Servo Motor Bracket	1	101322-30004
14	Servo Motor	1	000007-60040
15	Fan Motor Contactor	1	000007-60056
16	Air Pressure Switch	1	000007-60033
17	Electric Box Control Panel	1	141327-40001
18	Control Console	1	141327-20009
19	PID Load Controller	1	000007-60051
20	Burner Hinge Flange	1	141324-30001
21	Burner Hinge Holder	1	102324-20008
22	Burner Hinge Gasket	1	102324-60001
23	Burner Hinge Shaft	1	102324-30002
24	Combustion Group - Pipe	1	122324-40001
25	Boiler Flange	1	122328-40001
26	Flange Gasket	1	122328-30006
27	Burner Gas Group Sleeve	1	122325-30002
28	Burner Gas Group - Mixing Unit	1	122325-40001
29	Burner Diffuser Plate	1	122325-30001
30	Burner Gas Nozzle	8	122325-30003
31	Ignition Electrodes	1	000007-60073
32	Combustion Head	1	122324-40002
33	Burner Gas Group Sleeve Gasket	1	122324-20006
34	Gas Pressure Switch	1	000007-60034
35	Gas Valve	1	000007-60009
36	Actuator SKP15	1	000007-60009
37	Actuator SKP75	1	000007-60027
38	Burner Management System (BMS)	1	000007-60044
39	Gas Leak Check Device VPS	1	000007-60030

Spare Parts List SC14.2

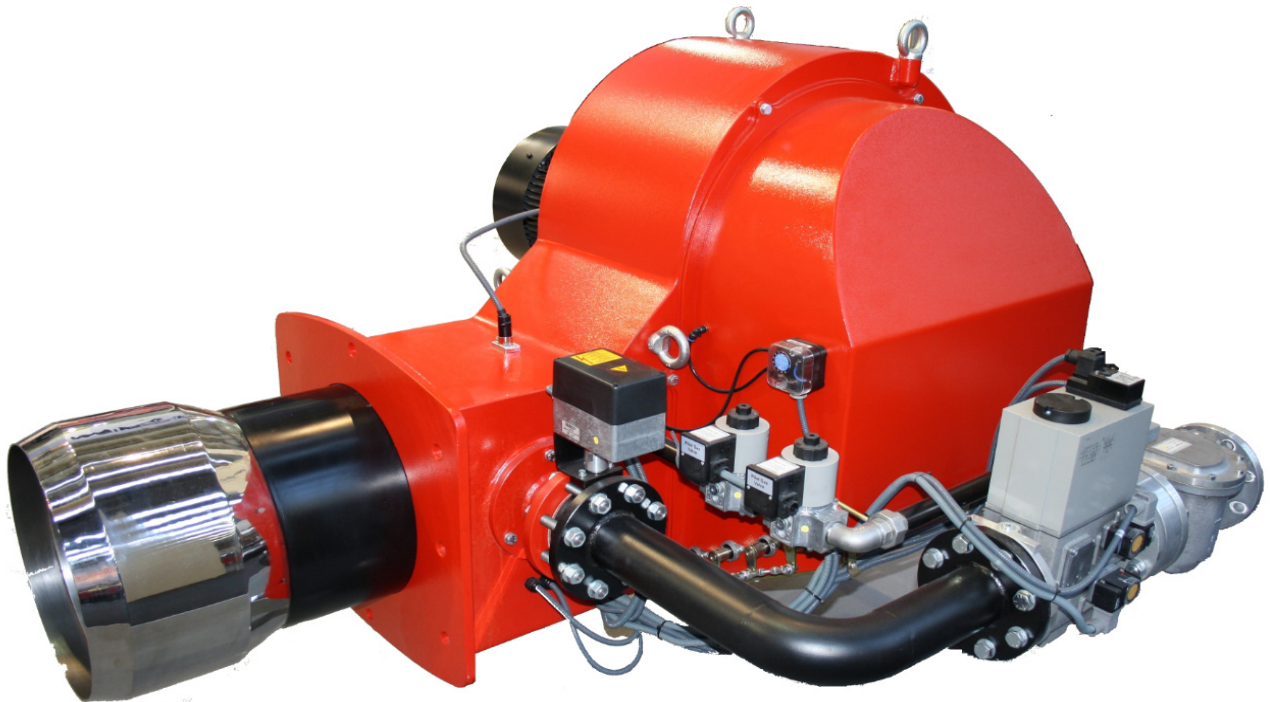
Pos.	Designation	Pcs.	Art. No.
1	Burner Housing	1	141321-40001
2	Air Flap Housing	1	141322-40001
3	Air Flap Housing Inspection Cover	1	141312-30003
4	Fan Upside Sheet metal	1	141323-30006
5	Fan	1	141324-30001
6	Motor Assembly Flange	1	141321-30001
7	Electric Motor	1	000007-60070
8	Sight Glass Housing	1	141321-30002
9	Sight Glass Cover	1	141321-30003
10	Lift Jack EyeBolt M20	2	000007-60076
11	Air Flap Sheet	2	141322-30001
12	Air Flap Mill	2	141322-30002
13	Servo Motor Bracket	1	101322-30004
14	Servo Motor	1	000007-60040
15	Fan Motor Contactor	1	000007-60056
16	Air Pressure Switch	1	000007-60033
17	Electric Box Control Panel	1	141327-40001
18	Control Console	1	141327-20009
19	PID Load Controller	1	000007-60051
20	Burner Hinge Flange	1	142324-30001
21	Burner Hinge Holder	1	142324-20008
22	Burner Hinge Gasket	1	142324-60001
23	Burner Hinge Shaft	1	142324-30002
24	Combustion Group - Pipe	1	142324-40001
25	Boiler Flange	1	142328-40001
26	Flange Gasket	1	142328-30006
27	Burner Gas Group Sleeve	1	142325-30002
28	Burner Gas Group - Mixing Unit	1	142325-40001
29	Burner Diffuser Plate	1	142325-30001
30	Burner Gas Nozzle	8	142325-30003
31	Ignition Electrodes	1	000007-60073
32	Combustion Head	1	142324-40002
33	Burner Gas Group Sleeve Gasket	1	122324-20006
34	Gas Pressure Switch	1	000007-60034
35	Gas Valve	1	000007-60009
36	Actuator SKP15	1	000007-60009
37	Actuator SKP75	1	000007-60027
38	Burner Management System (BMS)	1	000007-60044
39	Gas Leak Check Device VPS	1	000007-60030

• Spare Parts List

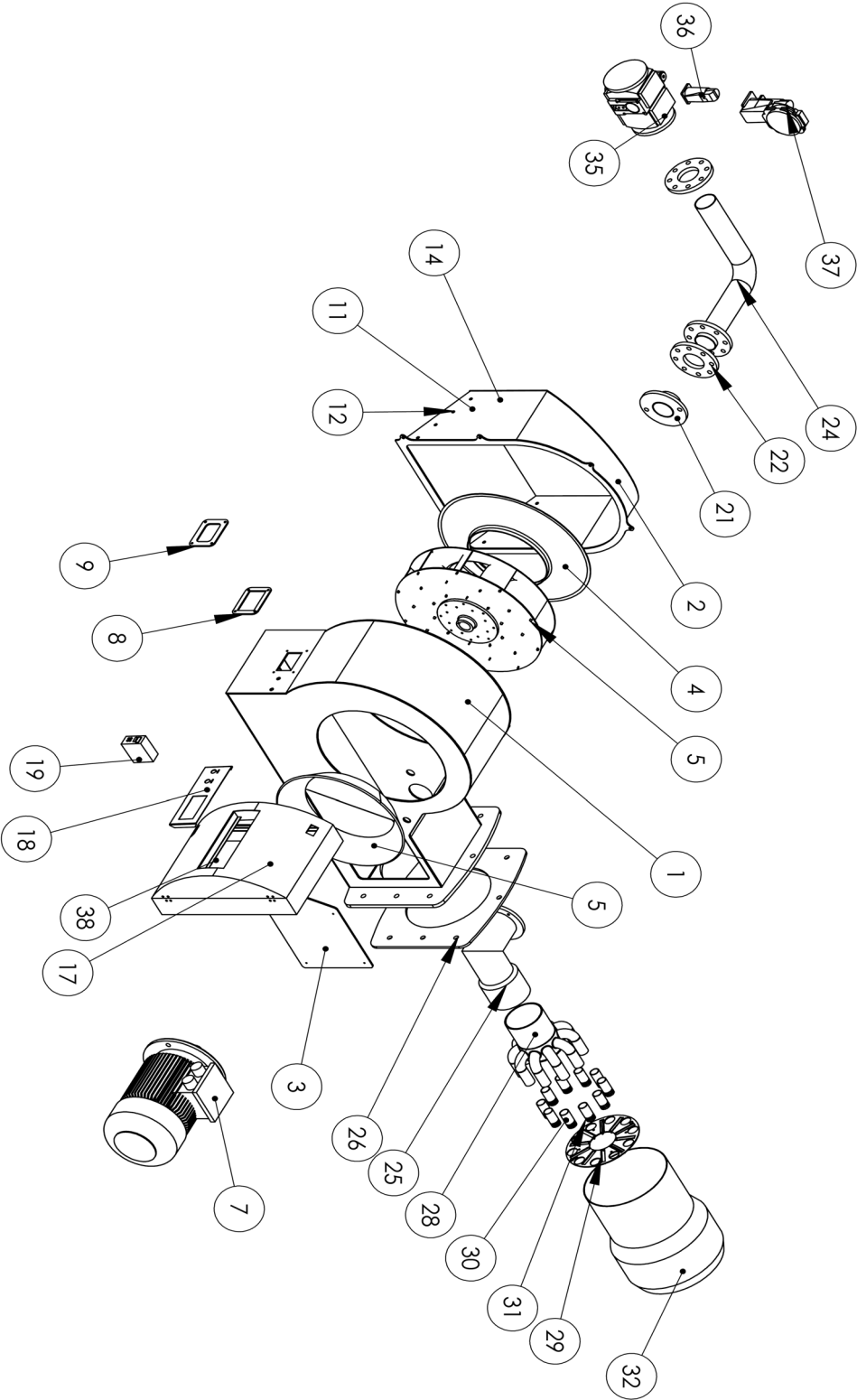
SC16.1-2-GM

Issue May 2012
Right reserved to effect technical modifications in the interest of product improvement.

Gas



SC 16 Exploded drawing



Spare Parts List SC16.1

Pos.	Designation	Pcs.	Art. No.
1	Burner Housing	1	161321-40001
2	Air Flap Housing	1	161322-40001
3	Burner Housing Side Cover	1	161312-30003
4	Fan Upside Sheet metal	1	161323-30006
5	Fan	1	161324-30001
6	Motor Assembly Flange	1	161321-30001
7	Electric Motor	1	000007-60071
8	Sight Glass Housing	1	161321-30002
9	Sight Glass Cover	1	161321-30003
10	Lift Jack EyeBolt M20	2	000007-60076
11	Air Flap Sheet	2	161322-30001
12	Air Flap Mill	2	161322-30002
13	Servo Motor Bracket	1	101322-30004
14	Servo Motor	1	000007-60040
15	Fan Motor Contactor	1	000007-60056
16	Air Pressure Switch	1	000007-60033
17	Electric Box Control Panel	1	161327-40001
18	Control Console	1	161327-20009
19	PID Load Controller	1	000007-60051
20	Gas Connection Pipe	1	161324-40001
21	Gas Connection Flange	1	161325-20014
22	Burner Gas Group Flange	1	161324-20009
23			
24		1	
25	Burner Gas Group - Mixing Unit Back Side	1	161328-40002
26	Flange Gasket	1	161328-30006
27			
28	Burner Gas Group - Mixing Unit Front Side	1	161325-40001
29	Burner Diffuser Plate	1	161325-30001
30	Burner Gas Nozzle	1	161325-30003
31	Ignition Electrodes	1	000007-60073
32	Combustion Head	1	161324-40002
33			
34	Gas Pressure Switch	1	000007-60034
35	Gas Valve	1	000007-60009
36	Actuator SKP15	1	000007-60009
37	Actuator SKP75	1	000007-60027
38	Burner Management System (BMS)	1	000007-60044
39	Gas Leak Check Device VPS	1	000007-60030

Spare Parts List SC16.2

Pos.	Designation	Pcs.	Art. No.
1	Burner Housing	1	161321-40001
2	Air Flap Housing	1	161322-40001
3	Burner Housing Side Cover	1	161312-30003
4	Fan Upside Sheet metal	1	161323-30006
5	Fan	1	162324-30001
6	Motor Assembly Flange	1	161321-30001
7	Electric Motor	1	000007-60071
8	Sight Glass Housing	1	161321-30002
9	Sight Glass Cover	1	161321-30003
10	Lift Jack EyeBolt M20	2	000007-60076
11	Air Flap Sheet	2	161322-30001
12	Air Flap Mill	2	161322-30002
13	Servo Motor Bracket	1	101322-30004
14	Servo Motor	1	000007-60040
15	Fan Motor Contactor	1	000007-60056
16	Air Pressure Switch	1	000007-60033
17	Electric Box Control Panel	1	161327-40001
18	Control Console	1	161327-20009
19	PID Load Controller	1	000007-60051
20	Gas Connection Pipe	1	161324-40001
21	Gas Connection Flange	1	161325-20014
22	Burner Gas Group Flange	1	161324-20009
23			
24		1	
25	Burner Gas Group - Mixing Unit Back Side	1	161328-40002
26	Flange Gasket	1	161328-30006
27			
28	Burner Gas Group - Mixing Unit Front Side	1	161325-40001
29	Burner Diffuser Plate	1	161325-30001
30	Burner Gas Nozzle	1	161325-30003
31	Ignition Electrodes	1	000007-60073
32	Combustion Head	1	161324-40002
33			
34	Gas Pressure Switch	1	000007-60034
35	Gas Valve	1	000007-60009
36	Actuator SKP15	1	000007-60009
37	Actuator SKP75	1	000007-60027
38	Burner Management System (BMS)	1	000007-60044
39	Gas Leak Check Device VPS	1	000007-60030

All information in this technical documentation as well as the drawings, photos and technical descriptions placed at your disposal remain our property and may not be duplicated without our written permission given in advance. Subject to alterations..



Enertech GmbH • Brenner und Heizsysteme
Postfach 3063 • D-58662 Hemer • Telefon 02372/965-0 • Telefax 02372/61240
E-Mail: kontakt@giersch.de • Internet: <http://www.giersch.de>