

Bourdon tube pressure gauge Model 111.16, back mount Panel mounting series

WIKA data sheet PM 01.10

Applications

- For gaseous and liquid media that are not highly viscous or crystallising and will not attack copper alloy parts
- Pneumatics
- Heating and air-conditioning technology
- Small-capacity compressors
- Medical engineering

Special features

- Especially for panel mounting
- Reliable and cost-effective
- Design per EN 837-1
- Nominal size 40, 50 and 63
- Scale ranges up to 0 ... 400 bar



Bourdon tube pressure gauge model 111.16

Description

Design
EN 837-1

Nominal size in mm
40, 50 and 63

Accuracy class
2.5

Scale ranges
0 ... 0.6 to 0 ... 400 bar
or all other equivalent vacuum or combined pressure and vacuum ranges

Pressure limitation

Steady: 3/4 x full scale value
Fluctuating: 2/3 x full scale value
Short time: Full scale value

Permissible temperature

Ambient: -20 ... +60 °C
Medium: +60 °C maximum

Temperature effect

When the temperature of the measuring system deviates from the reference temperature (+20 °C):
max. $\pm 0.4\%$ /10 K of the span

Standard version

Process connection

Cu-alloy,
centre back mount (CBM)
NS 40: G 1/8 B (male), 14 mm flats
NS 50, 63: G 1/4 B (male), 14 mm flats

Pressure element

Cu-alloy
≤ 60 bar: C-type
> 60 bar: Helical type

Movement

Cu-alloy

Dial

Plastic, white, with pointer stop pin
Black lettering

Pointer

Plastic, black

Case

Plastic, black
with front flange

Window

Plastic, crystal-clear, snap-fitted in case

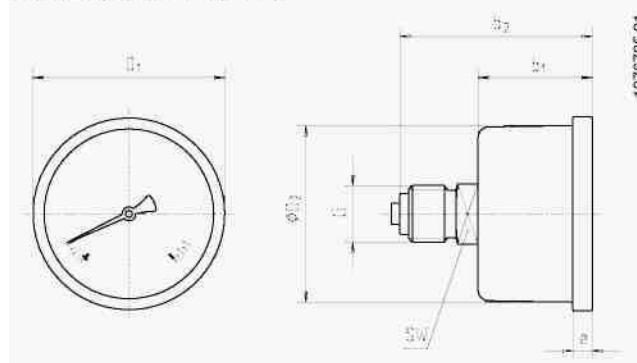
Options

- Other process connection
 - Accuracy class 1.6
 - Panel mounting flange, steel, black
 - Mounting bracket, steel, galvanised
- both components can be retrofitted by the customer

Dimensions in mm

Standard version

Centre back mount (CBM)



NS	Dimensions in mm							Weight in kg
	b ₁ ±0.5	b ₂ ±1	D ₁	D ₂	G	SW	e	
40	26.5	44.5	45	40	G 1/8 B	14	4.5	0.06
50	26.5	47.5	54	49.5	G 1/4 B	14	4.5	0.07
63	29.5	47.5	68	63	G 1/4 B	14	5	0.08

Process connection per EN 837-1 / 7.3

Ordering information

Model / Nominal size / Scale range / Connection size / Options

© 2005 WIKA Alexander Wiegand SE & Co. KG, all rights reserved.
The specifications given in this document represent the state of engineering at the time of publishing.
We reserve the right to make modifications to the specifications and materials.