

UK

Manual user instructions.

SP

Manual de instrucciones de uso.

TR

Kullanım talimatları kılavuzu.

РУС

Инструкция по эксплуатации

中文

使用说明

baltur
TECNOLOGIE PER IL CLIMA

TBML 600 ME TBML 800 ME

ELECTRONIC MODULATING DUAL FUEL GAS/DIESEL BURNERS WITH
BT 340 EQUIPMENT

QUEMADORES MIXTOS DE GAS / GASÓLEO A MODULACIÓN
ELECTRÓNICA CON EQUIPO BT 340

ELEKTRONİK MODÜLASYONLU GAZ / DİZEL KARMA BRÜLÖRLER
BT 340 CİHAZLI

КОМБИНИРОВАННАЯ ГОРЕЛКА ГАЗ/ДИЗЕЛЬ С ЭЛЕКТРОННЫМ
МОДУЛИРУЮЩИМ РЕГУЛИРОВАНИЕМ С БЛОКОМ УПРАВЛЕНИЯ
BT 340

带BT 340装置的电子比例调节（燃气/柴油）双燃料燃烧器



ORIGINAL INSTRUCTIONS (IT)
INSTRUCCIONES ORIGINALES (IT)
ORİJİNAL TALİMATLAR (IT)
ОРИГИНАЛЬНЫЕ ИНСТРУКЦИИ
(ПЕРЕВОД С ИТАЛЬЯНСКОГО ЯЗЫКА)
正版说明书。(IT)

0006081557_201310

- Before starting the burner, carefully read the instructions in the booklet "USER NOTICE FOR SAFE BURNER USE" provided with the instruction manual which is an integral and essential part of the product.
- Read the instructions carefully prior to commissioning or servicing the burner.
- Only skilled personnel is allowed to work on the burner and the system
- Disconnect the electric power from the system before starting any operation.
- Wrong operations can lead to dangerous accidents.

Statement of Conformity



CE0085:

DVGW CERT GmbH, Josef-Wirmer Strasse 1-3 – 53123 Bonn (D)

We hereby declare under our own responsibility, that our domestic and industrial blown air burners fired by gas, oil and dual fuel series:

BPM...; BGN...; BT...; BTG...; BTL...; TBML...; Comist...; GI...; GI...Mist; Minicomist...; PYR...; RiNOx...; Spark...; Sparkgas...; TBG...; TBL...; TS...; IBR...; IB...

(Variant: ... LX, with low NOx emissions)

respect the minimal regulation of the European Directives:

- 2009/142/EC (G.A.D)
- 2004/108/EC (E.M.C.)
- 2006/95/EC (L.V.D)
- 2006/42/EC (M.D.)

and have been designed and tested in accordance with the European Standards:

- EN 676 (gas and dual fuel, gas side)
- EN 267 (light oil and dual fuel, oil side)

Cento, 23 July 2013

R&D Manager
Eng. Paolo Bolognin

CEO and General Manager
Dr. Riccardo Fava

 IMPORTANT	 WARNING	 ATTENTION	 INFORMATION
--	--	--	--

TECHNICAL CHARACTERISTICS	4
BURNER CONNECTION TO THE BOILER	6
ELECTRICAL CONNECTIONS	6
FUEL (DIESEL) SUPPLY SYSTEM	8
ASSEMBLING THE GAS TRAIN	9
HINGE UNIT ASSEMBLY	9
DIESEL IGNITION AND REGULATION	11
GAS (METAL GAS) IGNITION AND REGULATION	13
GAS PRESSURE SWITCH FUNCTIONAL DESCRIPTION	15
MAINTENANCE	16
BURNER USE	17
WIRING DIAGRAM	18



WARNINGS FOR USE IN SAFETY CONDITIONS

FOREWORD

These warning notes are aimed at ensuring the safe use of the components of heating systems for civil use and the production of hot water. They indicate how to act to avoid the essential safety of the components being compromised by incorrect or erroneous installation and by improper or unreasonable use. The warning notes provided in this guide also seek to make the consumer more aware of safety problems in general, using necessarily technical but easily understood language. The manufacturer is not liable contractually or extra contractually for any damage caused by errors in installation and in use, or where there has been any failure to follow the manufacturer's instructions.

GENERAL WARNING NOTES

- The instruction booklet is an integral and essential part of the product and must be given to the user. Carefully read the warnings in the booklet as they contain important information regarding safe installation, use and maintenance. Keep the booklet to hand for consultation when needed.
- Equipment must be installed in accordance with current regulations, with the manufacturer's instructions and by qualified technicians. By the term 'qualified technicians' is meant persons that are competent in the field of heating components for civil use and for the production of hot water and, in particular, assistance centres authorised by the manufacturer. Incorrect installation may cause damage or injury to persons, animals or things. The manufacturer will not in such cases be liable.
- After removing all the packaging make sure the contents are complete and intact. If in doubt do not use the equipment and return it to the supplier. The packaging materials (wooden crates, nails, staples, plastic bags, expanded polystyrene, etc.) must not be left within reach of children as they may be dangerous to them. They should also be collected and disposed on in suitably prepared places so that they do not pollute the environment.
- Before carrying out any cleaning or maintenance, switch off the equipment at the mains supply, using the system's switch or shut-off systems.
- If there is any fault or if the equipment is not working properly, deactivate the equipment and do not attempt to repair it or tamper with it directly. In such case get in touch with only qualified technicians. Any product repairs must only be carried out by BALTUR authorised assistance centres using only original spare parts. Failure to act as above may jeopardise the safety of the equipment. To ensure the efficiency and correct working of the equipment, it is essential to have periodic maintenance carried out by qualified technicians following the manufacturer's instructions.
- If the equipment is sold or transferred to another owner or if the owner moves and leaves the equipment, make sure that the booklet always goes with the equipment so it can be consulted by the new owner and/or installer.
- For all equipment with optionals or kits (including electrical), only original accessories must be used.

BURNERS

- This equipment must be used only for its expressly stated use: applied to boilers, hot air boilers, ovens or other similar equipment and not exposed to atmospheric agents. Any other use must be regarded as improper use and hence dangerous.
- The burner must be installed in a suitable room that has ventilation in accordance with current regulations and in any case sufficient to ensure correct combustion
- Do not obstruct or reduce the size of the burner' air intake grills or the ventilation openings for the room where a burner or a boiler is installed or dangerous mixtures of toxic and explosive gases may form.
- Before connecting the burner check that the details on the plate correspond to those of the utility supplies (electricity, gas, light oil or other fuel).
- Do not touch hot parts of the burner. These, normally in the areas near to the flame and any fuel pre-heating system, become hot when the equipment is working and stay hot for some time after the burner has stopped.
- If it is decided not to use the burner any more, the following actions must be performed by qualified technicians:
 - a) Switch off the electrical supply by disconnecting the power cable from the master switch.
 - b) Cut off the fuel supply using the shut-off valve and remove the control wheels from their position.
 - c) Render harmless any potentially dangerous parts.

Special warning notes

- Check that the person who carried out the installation of the burner fixed it securely to the heat generator so that the flame is generated inside the combustion chamber of the generator itself.
- Before starting up the burner, and at least once a year, have qualified technicians perform the following operations:
 - a) Set the burner fuel capacity to the power required by the heat generator.
 - b) Adjust the combustion air flow to obtain combustion yield of at least the minimum set by current regulations.
 - c) Carry out a check on combustion to ensure the production of noxious or polluting unburnt gases does not exceed limits permitted by current regulations.
 - d) Check the adjustment and safety devices are working properly.
 - e) Check the efficiency of the combustion products exhaust duct.
 - f) Check at the end of the adjustments that all the adjustment devices mechanical securing systems are properly tightened.
 - g) Make sure that the use and maintenance manual for the burner is in the boiler room.
- If the burner repeatedly stops in lock-out, do not keep trying to manually reset but call a qualified technicians to sort out the problem.
- The running and maintenance of the equipment must only be carried out by qualified technicians, in compliance with current regulations.

ELECTRICAL SUPPLY

- The equipment is electrically safe only when it is correctly connected to an efficient ground connection carried out in accordance with current safety regulations. It is necessary to check this essential safety requirement. If in doubt, call for a careful electrical check by a qualified technicians, since the manufacturer will not be liable for any damage caused by a poor ground connection.
- Have qualified technicians check that the wiring is suitable for the maximum power absorption of the equipment, as indicated in the technical plate, making sure in particular that the diameter of cables is sufficient for the equipment's power absorption.
- Adapters, multiple plugs and extension cables may not be used for the equipment's power supply.
- According to current safety regulations, an omnipolar switch with a contact opening gap of at least 3 mm is required for the mains supply connection.
- Extract the power cable external insulation as strictly necessary for the connection, in order to avoid that the cable comes into contact with metal parts.
- An ominpolar switch in accordance with current safety regulations is required for the mains supply connection.
- The electrical supply to the burner must have neutral to ground connection. If the ionisation current has control with neutral not to ground it is essential to make a connection between terminal 2 (neutral) and the ground for the RC circuit.
- The use of any components that use electricity means that certain fundamental rules have to followed, including the following:
 - do not touch the equipment with parts of the body that are wet or damp or with damp feet
 - do not pull on electrical cables
 - do not leave the equipment exposed to atmospheric agents (such as rain or sun etc.) unless there is express provision for this.
 - do not allow the equipment to be used by children or inexperienced persons.
- The power supply cable for the equipment not must be replaced by the user. If the cable gets damaged, switch off the equipment, and call only on qualified technicians for its replacement.
- If you decide not to use the equipment for a while it is advisable to switch off the electrical power supply to all components in the system that use electricity (pumps, burner, etc.).

GAS, LIGHT OIL, OR OTHER FUEL SUPPLIES

General warning notes

- Installation of the burner must be carried out by qualified technicians and in compliance with current law and regulations, since incorrect installation may cause damage to person, animals or things, for which damage the manufacturer shall not can be held responsible.
- Before installation it is advisable to carry out careful internal cleaning of all tubing for the fuel feed system to remove any residues that could jeopardise the proper working of the burner.
- For first start up of the equipment have qualified technicians carry out the following checks:
- If you decide not to use the burner for a while, close the tap or taps that supply the fuel.

Special warning notes when using gas

- Have qualified technicians check the following:
 - a) that the feed line and the train comply with current law and regulations.
 - b) that all the gas connections are properly sealed.
- Do not use the gas pipes to ground electrical equipment.
- Do not leave the equipment on when it is not in use and always close the gas tap.
- If the user of is away for some time, close the main gas feed tap to the burner.
- If you smell gas:
 - a) do not use any electrical switches, the telephone or any other object that could produce a spark;
 - b) immediately open doors and windows to create a current of air that will purify the room;
 - c) close the gas taps;
 - d) ask for the help of qualified technicians.
- Do not block ventilation openings in the room where there is gas equipment or dangerous situations may arise with the build up of toxic and explosive mixtures.

FLUES FOR HIGH EFFICIENCY BOILERS AND SIMILAR

It should be pointed out that high efficiency boilers and similar discharge combustion products (fumes) at relatively low temperatures into the flue. In the above situation, traditional flues (in terms of their diameter and heat insulation) may be suitable because the significant cooling of the combustion products in these permits temperatures to fall even below the condensation point. In a flue that works with condensation there is soot at the point the exhaust reaches the atmosphere when burning light oil or heavy oil or the presence of condensate water along the flue itself when gas is being burnt (methane, LPG, etc.). Flues connected to high efficiency boilers and similar must therefore be of a size (section and heat insulation) for the specific use to avoid such problems as those described above.

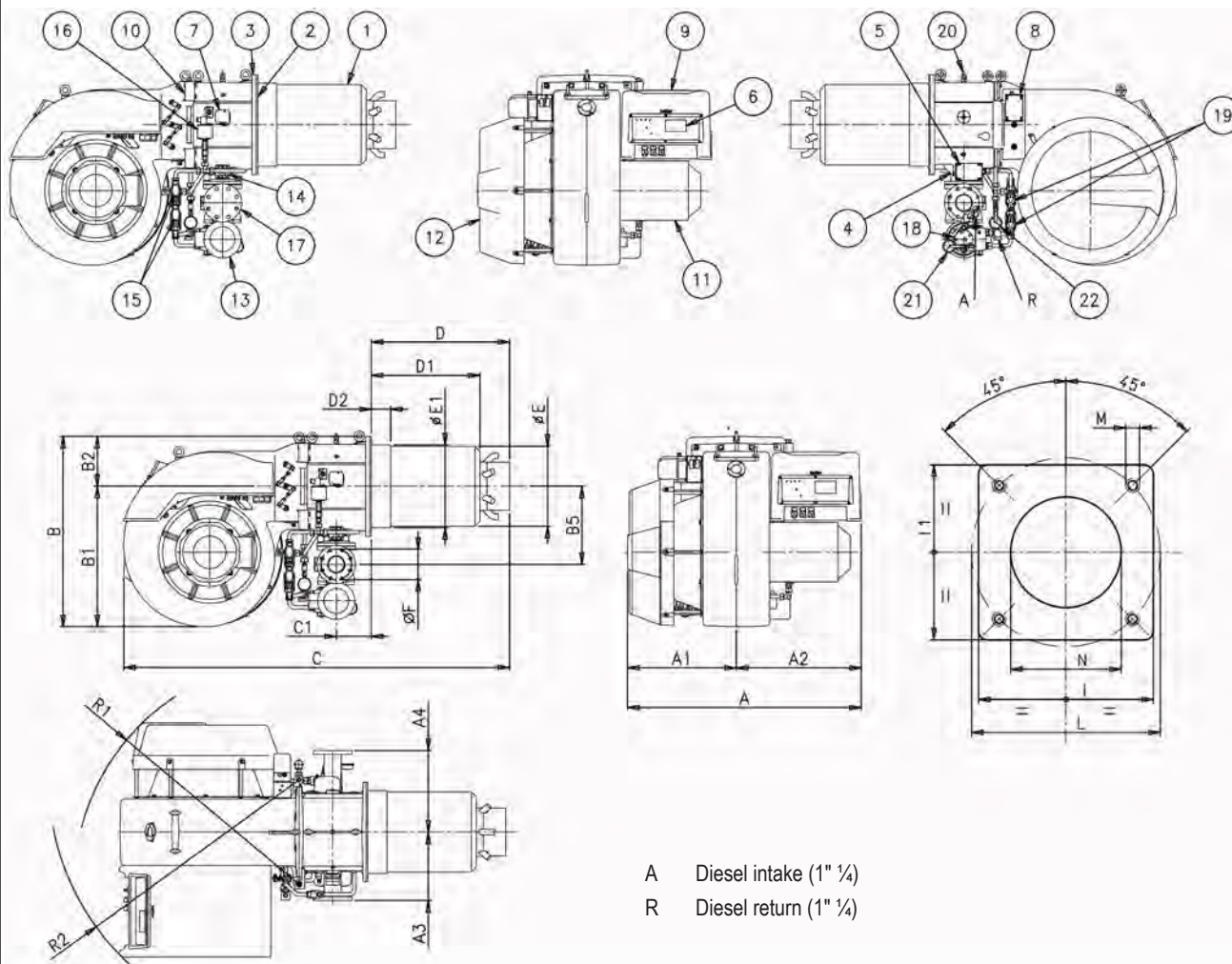
TECHNICAL CHARACTERISTICS

			TBML 600 ME	TBML 800 ME
Natural gas	THERMAL CAPACITY	MAX kW	6000	8000
		MIN kW	800	800
	NOx EMISSION		< 80 (Class III according to EN 676)	
	PRESSURE	MAX mbar	700	
Diesel	THERMAL CAPACITY	MAX kW	6000	8000
		MIN kW	2000	2000
	NOx EMISSION		< 185 (Class II according to EN 267)	
Maximum fuel viscosity		1,5° E - 20°C		
OPERATION		ELECTRONIC MODULATION "BT 340"		
IGNITION TRANSFORMER		2 x 5 kV - 30 mA - 230 V - 50/60 Hz		
FAN MOTOR	50 Hz	11 kW - 2390 r.p.m.	15 kW - 2390 r.p.m.	
	60 Hz	15 kW - 3487 r.p.m.	18,5 kW - 3515 r.p.m.	
PUMP MOTOR	50 Hz	2,2 kW - 1430 r.p.m.		
	60 Hz	2,6 kW - 1710 r.p.m.		
ABSORBED ELECTRICAL POWER*	50 Hz	14 kW	18 kW	
	60 Hz	18,4	21,9	
VOLTAGE	50 Hz	3N ~ 400 V - 50 Hz		
	60 Hz	3N ~ 380 V - 60 Hz		
DEGREE OF PROTECTION		IP54		
FLAME DETECTION		PHOTORESISTOR		
NOISE **	dB(A)	84,0	83,5	
WEIGHT	kg	600	640	

*) Total absorption at start with ignition transformer on

***) Noise levels measured in the laboratory of the manufacturer, with burner running on test boiler, at maximum nominal thermal output.

SUPPLIED MATERIAL	TBML 600 ME	TBML 800 ME
INSULATING SEAL	2	
STUD BOLTS	N° 4 M20	
HEXAGON NUTS	N° 4 M20	
FLAT WASHERS	N° 4 Ø20	
DIESEL FILTER	No.1 - 1"¼	
HOSES	No. 2 - 1"¼ x 1"¼	



A Diesel intake (1" ¼)
R Diesel return (1" ¼)

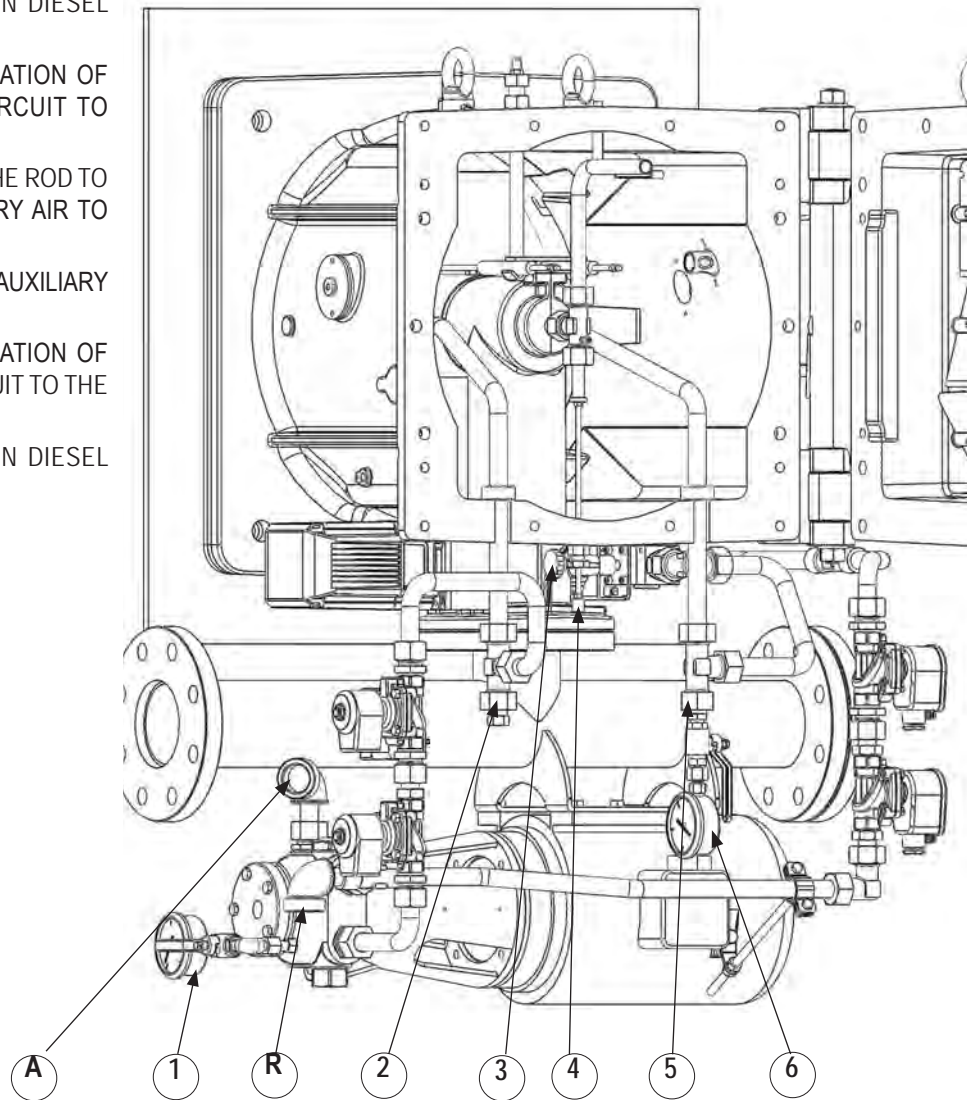
1	Combustion head
2	Seal
3	Burner connection flange
4	Butterfly gas valve
5	Gas / diesel regulator servomotor
6	Equipment display
7	Air pressure switch
8	Air regulation servomotor
9	Electrical panel
10	Hinge
11	Fan motor
12	Intake air conveyor

13	Pump motor
14	Diesel flow regulator
15	Diesel return solenoid valve
16	Diesel pressure switch
17	Gas train connection flange (assembly on the right or on the left side)
18	diesel pump
19	Diesel delivery solenoid valve
20	Gas union / pressure port fastening screw
21	Pressure gauge on diesel delivery
22	Pressure gauge on diesel return

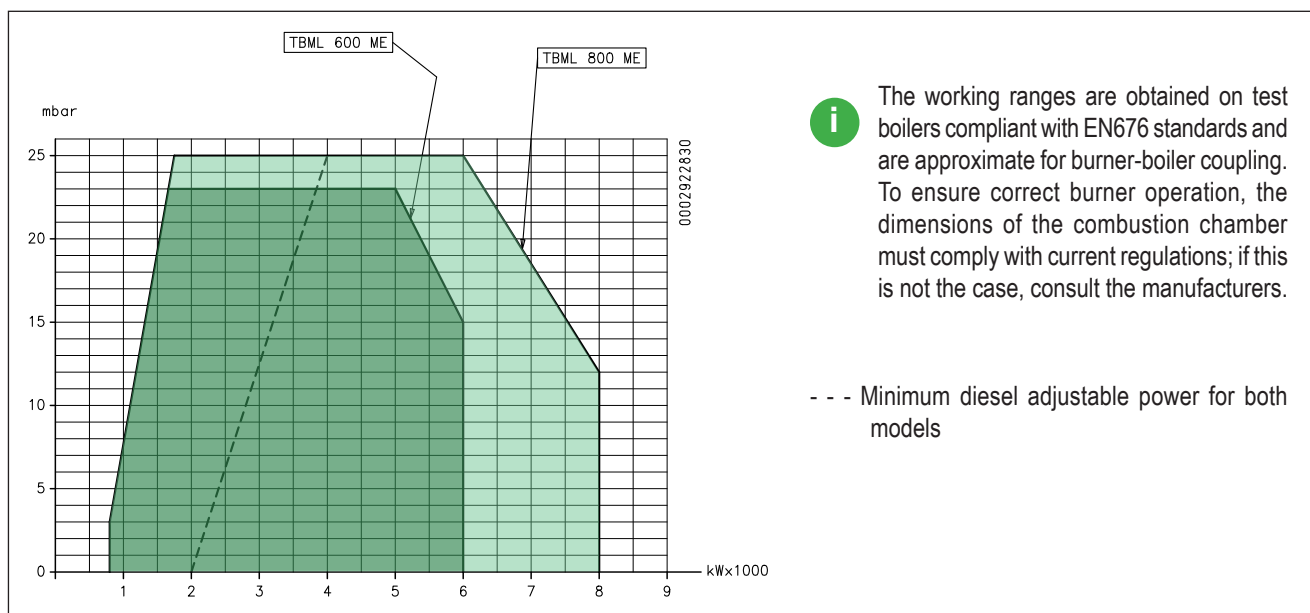
mod.	A	A1	A2	A3	A4	B	B1	B5	C	C1	D	D1	D2	E Ø	E1 Ø	F Ø	R1	R2	I	I1	L Ø	M	N Ø
TBML 600 ME	1230	570	660	335	425	1000	740	260	2020	190	715	570	100	418	432	DN80	1200	1310	520	520	594	M20	440
TBML 800 ME	1230	570	660	335	425	1000	740	260	2020	190	715	570	100	418	432	DN80	1200	1310	520	520	594	M20	440

- 1 PRESSURE GAUGE ON DIESEL DELIVERY
- 2 NUT FOR THE EVACUATION OF DIESEL DELIVERY CIRCUIT TO THE NOZZLE
- 3 CLAMPING PAWL OF THE ROD TO OPEN/CLOSE AUXILIARY AIR TO THE NOZZLE
- 4 ROD TO OPEN/CLOSE AUXILIARY AIR TO THE NOZZLE
- 5 NUT FOR THE EVACUATION OF DIESEL RETURN CIRCUIT TO THE NOZZLE
- 6 PRESSURE GAUGE ON DIESEL RETURN

- A Diesel intake (1" ¼)
R Diesel return (1" ¼)



WORKING RANGE



i The working ranges are obtained on test boilers compliant with EN676 standards and are approximate for burner-boiler coupling. To ensure correct burner operation, the dimensions of the combustion chamber must comply with current regulations; if this is not the case, consult the manufacturers.

- - - Minimum diesel adjustable power for both models

DESIGN FEATURES

The burner consists of:

- Ventilating part in light aluminium alloy.
- Centrifugal fan for high performances.
- Intake air conveyor.
- Combustion head complete with stainless steel nozzle.
- Flame inspection glass
- Three-phase electric motor to run fan.
- Air pressure switch to ensure the combustion air presence.
- Gas train complete with control valve, operating and safety valves, minimum and maximum pressure switches, pressure control and gas filter.
- Fuel flow rate regulation by means of servomotor controlling gas valve and flow rate regulator.
- Automatic burner command and control equipment with microprocessor (electronic cam) in accordance with European standard EN298 integrated with valve seal control. Display showing operating sequence and error code in case of shut-down.
- Flame presence control with UV photocell.
- Control panel including on/off and burner off switches, fuel selector, operation and shut-down warning lights, keypad for programming electronic cam
- Electric system with protection class IP54.

TECHNICAL FUNCTIONAL FEATURES

- Dual burner, able to operate alternately with natural gas or with diesel (max viscosity 1.5°E at 20°C).
- EC approval according to European Standard EN 676 for natural gas and Standard EN 267 for diesel.
- Progressive / modulating two-stage operation for both fuels.
- Electronic command and control equipment Lamtec mod. BT 340, fitted with microprocessor.
- Fuel flow rate / comburent air regulation by means of two servomotors controlled by the electronic equipment
- Combustion head with partial recirculation of combusted gases with reduced emissions (class III according to EN 676 for natural gas, class II according to EN 267 for diesel).
- Hinge opens both ways to permit convenient access to the mixer without dismantling the burner from the boiler.
- Air minimum and maximum flow rate regulation by means of electric stepper servomotor with pause closure of shutter to prevent any heat dispersion to flue.
- Valve seal control functions according to European Standard EN676 and power regulation functions (read carefully the operating instructions given in the RAPID GUIDE supplied along with the burner for further details about the BT 340 equipment operations).
- Device for the adjustment of auxiliary cooling air to the diesel nozzle

BURNER CONNECTION TO THE BOILER

ASSEMBLING THE HEAD UNIT

Make sure that the combustion head penetrates the furnace by the amount specified by the boiler manufacturer .

Prior to installing the burner in the boiler, make sure the nozzle is suitable for the power required, if this is not the case, replace it following the instructions provided in the diagram *cmp. 15*

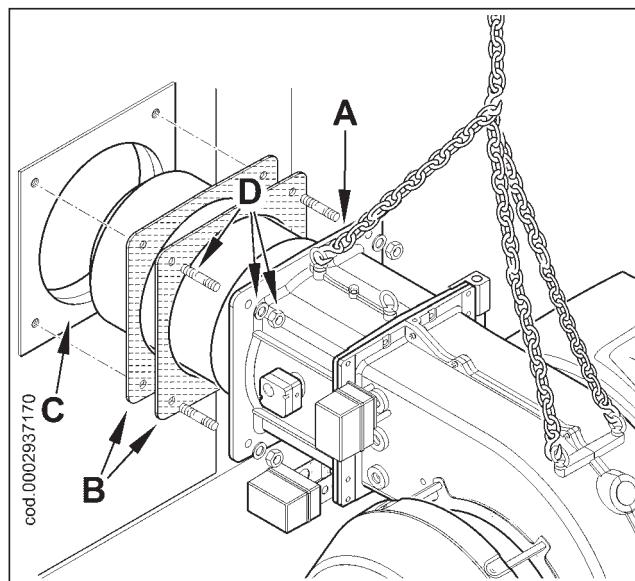
For the handling of the burner, it is recommended to use a suitable hoisting equipment to be anchored to the eyebolts shown in figure 0002937170.

Anchor the burner to the boiler door as follows:

- Place the two insulating seals (B) on the burner connection flange (A)
- Anchor the flange (A) to the boiler (C) with the stud bolts, washers and nuts provided (D).



Seal the space between the burner sleeve and the hole on the refractory material inside the boiler door completely with suitable material.



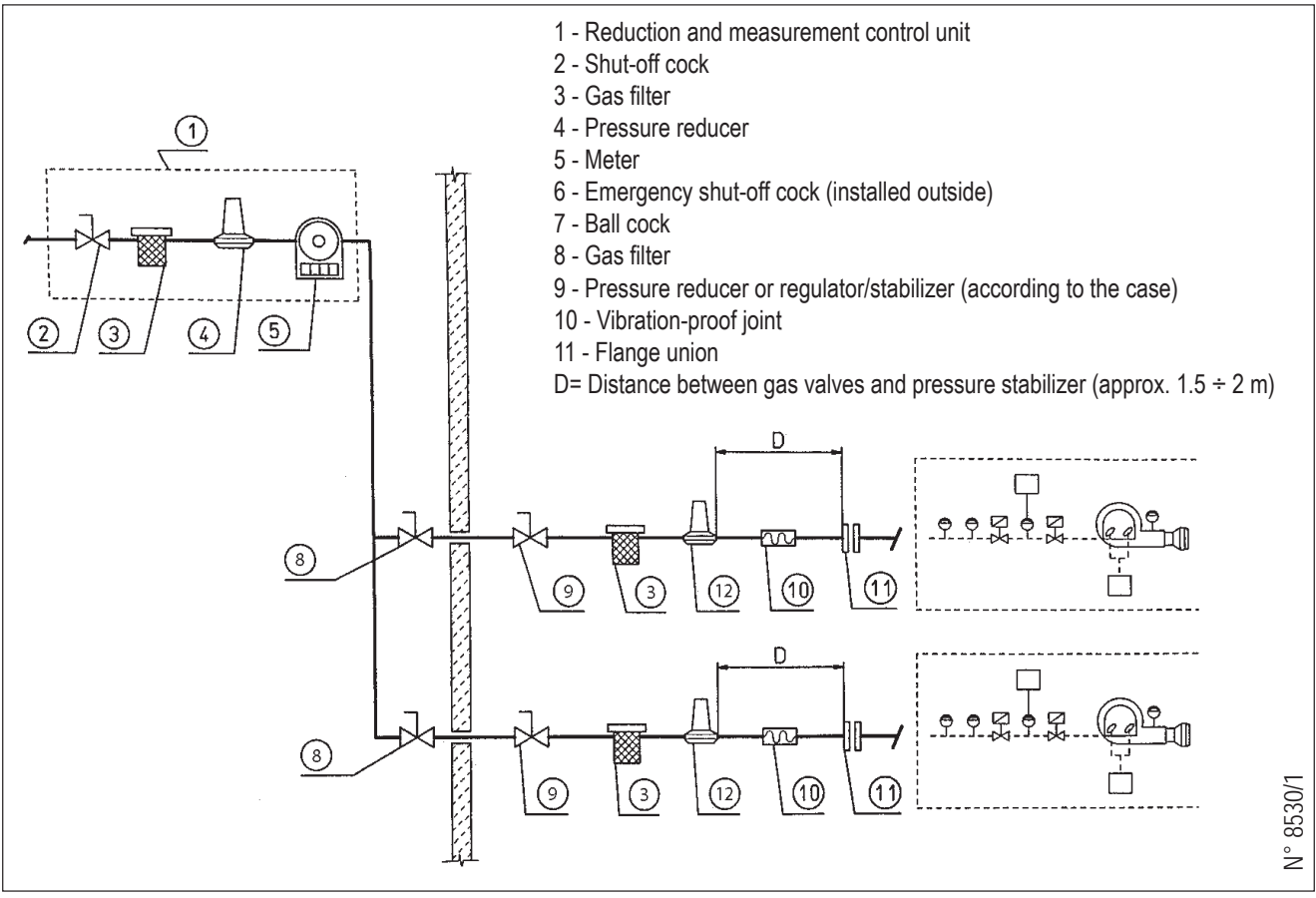
ELECTRICAL CONNECTIONS

It is recommended that all connections are performed with electrical flexible wires. Power lines must be outdistanced from the hot parts. Check that the power line to which the device is connected is powered with voltage values and frequency suitable for the burner. Make sure that the main line, the relevant switch with fuses (essential) and the possible limiter are suitable to stand the maximum current absorbed by the burner.

For more details, see the relevant wiring diagrams for each single burner.

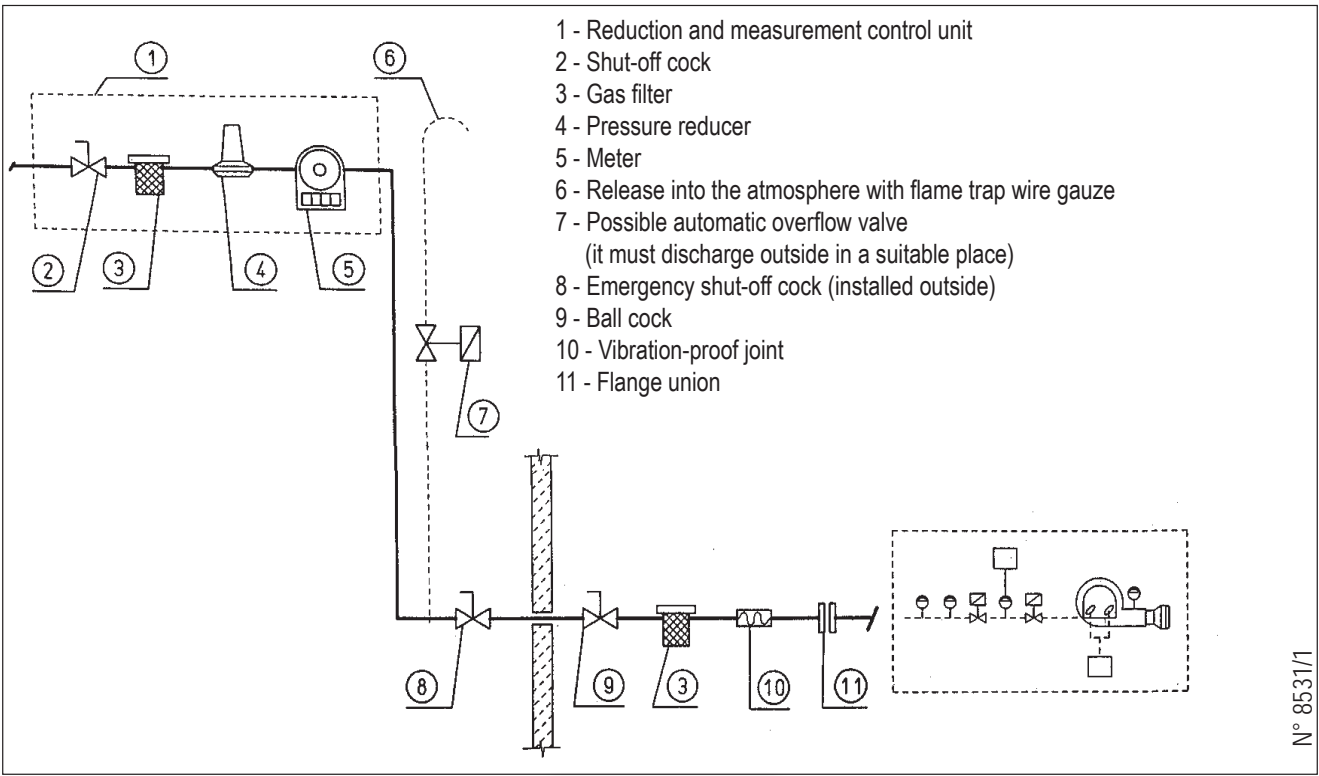


CONNECTION DIAGRAM OF MULTIPLE BURNERS TO THE MEDIUM PRESSURE GAS SUPPLY NETWORK



ENGLISH

CONNECTION DIAGRAM OF ONE BURNER TO THE MEDIUM PRESSURE GAS SUPPLY NETWORK



FUEL (DIESEL) SUPPLY SYSTEM

The burner pump must receive the fuel from a suitable supply circuit featuring an auxiliary pump which may feature a pressure regulator adjustable from 0.5 to 3 bar. In this case, the fuel supply pressure to the burner pump (0.5 ÷ 3 bar) must not change both with burner off and with working burner at the maximum fuel output required by the boiler. In normal cases, this circuit can be realized without pressure regulator, abiding to the following diagram. The supply circuit must be realized according to diagram 8666/3.

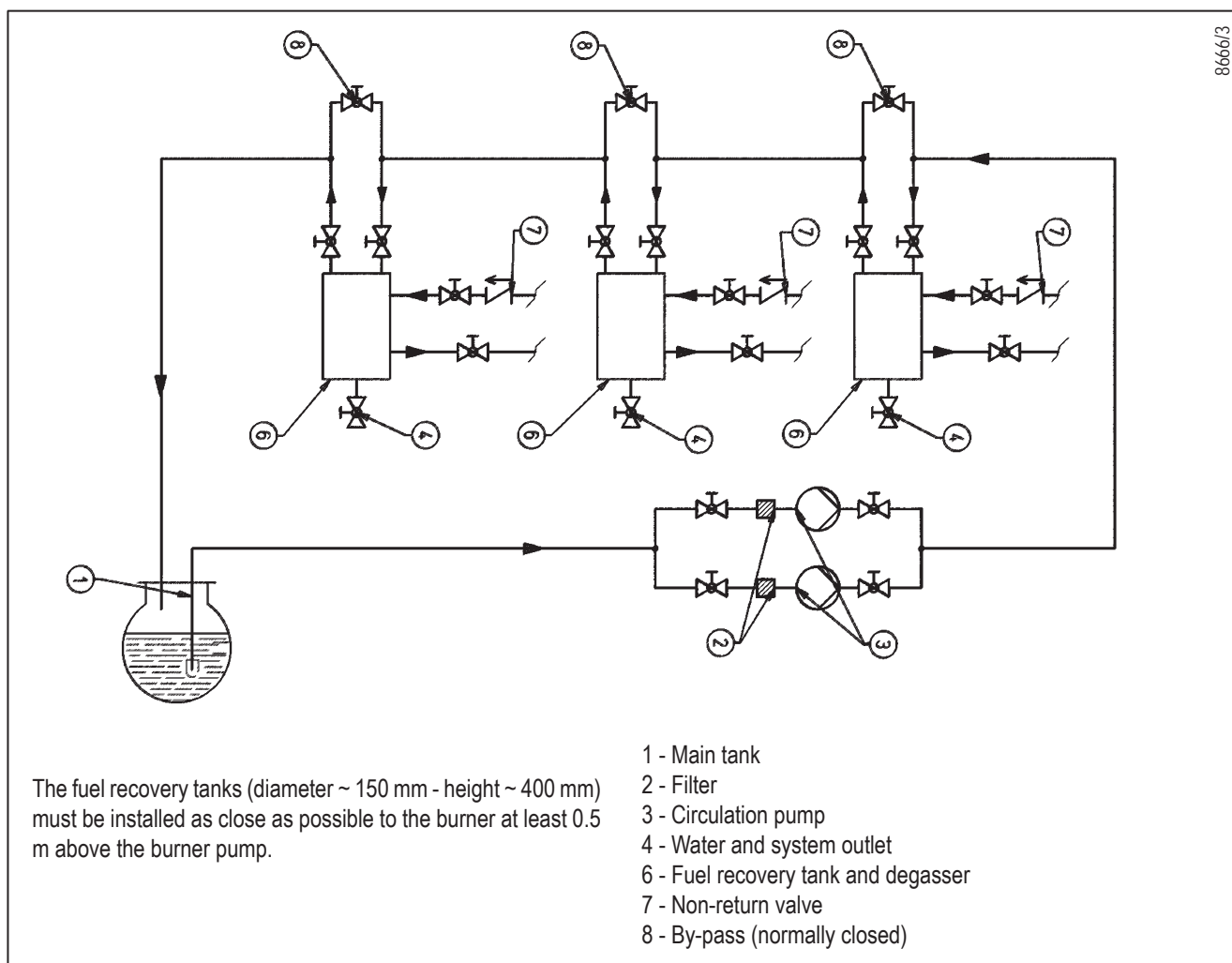
The pipe dimensioning must be carried out according to the pipe length and the flow rate of the installed pump. Our instructions ensure a good operation of the product.

The anti-pollution prescriptions, as well as the provisions set forth by the local authorities, refer to the specific publications.

DUAL FUEL BURNER IGNITION INFORMATION:

We recommend performing the first ignition with liquid fuel because, in this case, the output is conditioned by the nozzle that is used, whereas the output of natural gas can be varied as required by regulating the flow rate regulator.

HYDRAULIC DRAWING OF SUPPLY FOR ONE OR MORE DIESEL TWO-STAGE OR MODULATING BURNERS WITH MAXIMUM NOMINAL VISCOSITY (5°E AT 50°C)



ASSEMBLING THE GAS TRAIN

The EN 676 approved gas train is sold separately from the burner . The gas train can be assembled in different ways: A and B. Choose the most rational position for the set-up of the boiler room and the position in which the gas pipe arrives.

HINGE UNIT ASSEMBLY

The burner hinge can be opened both ways, it is therefore possible to reverse the opening side of the ventilating body. As a standard, the burner is supplied with the hinge installed on the right side . To enable the maximum opening and so facilitate maintenance operations, it is recommended to install the hinge on the side of the burner opposite to the position where the gas train is installed. In case it is necessary to install the hinge on the left side, proceed as follows:

- After installing the burner on the boiler, loosen the N fastening screws and open the ventilating body to the amount needed for the removal of the E centring pin (0002937220).
- Close the burner again by re-tightening the N screws and remove the two F hinges and the G pin.
- Then, remove the 3 N screws and the relevant washers on the left side of the flange and refit them on the right side T in correspondence with the holes left free after removal of the hinges.
- Fit the hinge unit on the burner left side (0002937230).



Initially place the F hinges without tightening the 4 H screws. First make sure that the S abutting surfaces of the two hinges are perfectly in contact with the corresponding volute sides. Prior to this, tighten the 2 M nuts and the relevant washers. Do not tighten the nuts too deeply, as this may make hinge rotation difficult. Carry out the final tightening of the H screws to complete the operation.

- Open the ventilating body again to make sure that the hinge unit rotates correctly and re-fit the centring pin on the side of the fan flange opposite to the hinge side in order to facilitate closing again of the burner.



Each time the burner has to be opened, first disconnect the connectors to the gas butterfly servomotor, to the diesel pressure regulator, to the gas solenoid valves and to the diesel circuit.

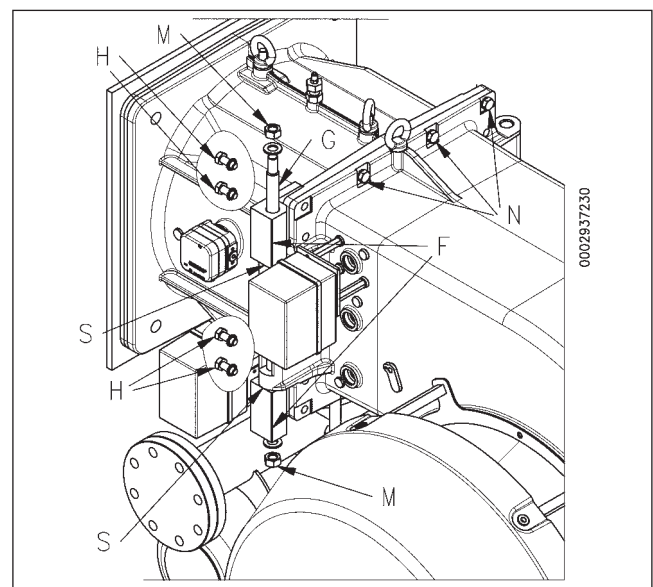
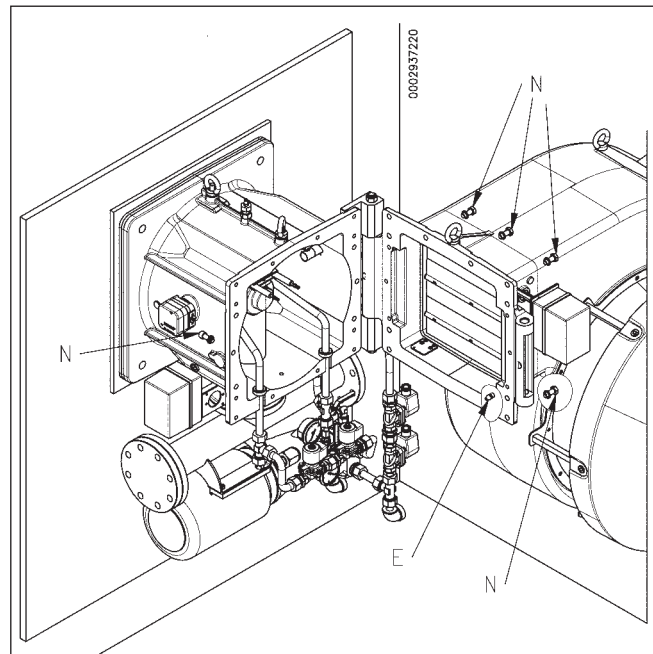
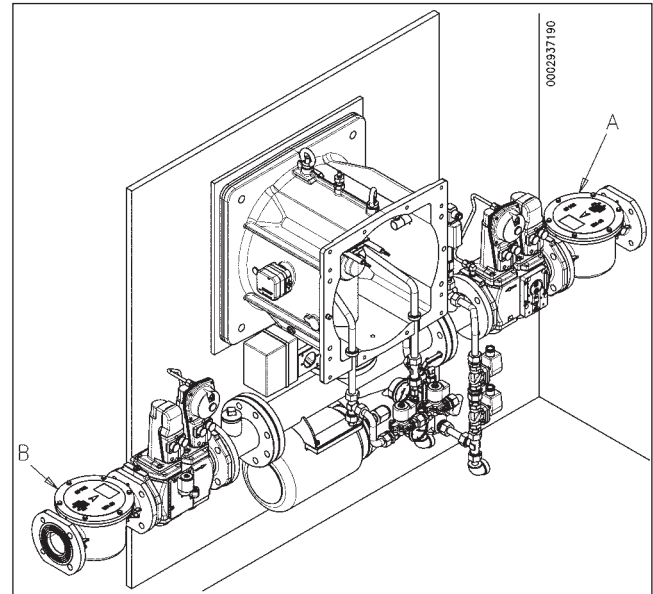


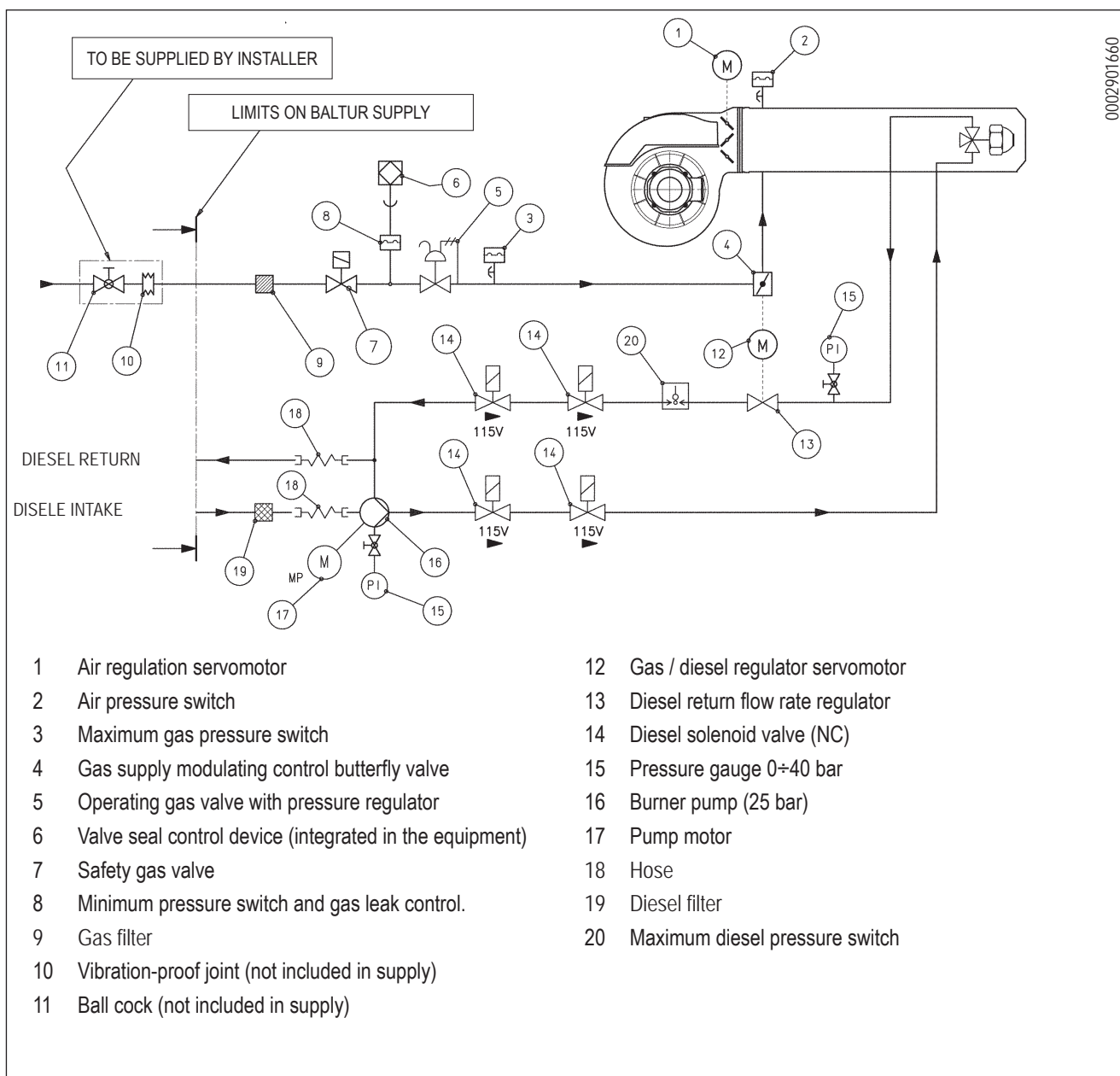


DIAGRAM ILLUSTRATING GAS TRAIN PRINCIPLE

! Install a manual on/off valve upstream of the gas valve and a vibration-proof joint according to the layout shown in the diagram illustrating the principle.

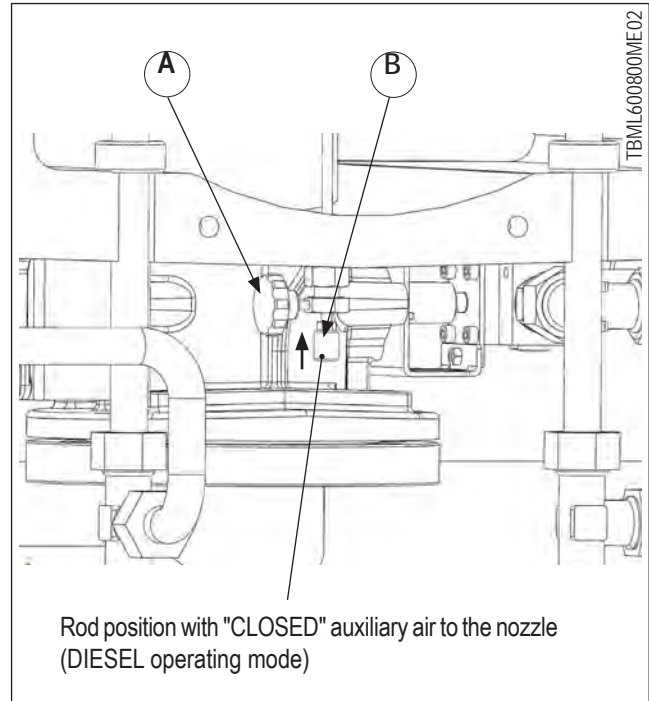
To ensure optimal functioning of the pressure control, it should be applied to the horizontal pipe after the filter. The gas pressure regulator must be adjusted while operating at the maximum flow rate **actually** used by the burner. The outgoing pressure must be adjusted to a value slightly below the maximum possible value (the value obtained by screwing in the adjustment screw almost completely); in this case, the outgoing regulator pressure increases as the adjustment screw is tightened, and decreases as it is slackened.

DIAGRAM ILLUSTRATING DUAL FUEL BURNERS SERIES TBML 600 / 800



DIESEL IGNITION AND REGULATION

- Turn the switch on the control panel to the "O" position (open).
- Turn the switch "fuel change-over" to the "OIL" position.
- Close the auxiliary air to the head unscrewing the pawl (A) and pulling the rod (B) down to its end of stroke. Retighten the pawl (A).
- Close the gate and open the shut-off elements.
- Check that there is water in the boiler and that the gates on the system are open.
- Make sure that the products of combustion can be released freely (boiler and chimney dampers open).
- Check that the voltage of the electric line the equipment must be connected to, complies with the manufacturer prescriptions, and that the motor electric connections are properly set for the available voltage. Also check that all electric connections made on-site are performed correctly as shown in our wiring diagram.
- Start the fuel supply auxiliary circuit and check for its correct operation, then set pressure to nearly $0,5 \div 3$ bar if such circuit features a pressure regulator.
- Remove the vacuum gauge connection plug from the pump and open the gate on the fuel pipe. Wait for the fuel to flow out of the hole without air bubbles and close the gate. In case no supply circuit under pressure is available, fill the pump by pouring fuel into the supply hose.
- Fit a pressure gauge (full scale approx. 4 bar) to the pump vacuum gauge connection point to check the pressure value at which the fuel reaches burner pump. Fuel pressure must remain within $0,5 \div 3$ bar also when the burner is off.
- Open the gates placed on the diesel pipes.
- Power the electric line to which the burner is connected. Manually press the specific remote control switches to check that the fan and pump motors turn in the correct direction. If necessary, change the position of the two cables of the main line to reverse the rotation direction.
- Start the burner pump by manually pressing the relevant remote control switch until the pump pressure gauge detects a slight pressure. A slight pressure in the circuit indicates that it has been filled up.
- Connect (pos. 1) the switch (1) on the control panel to power the equipment and close the thermostat line turning the selector (2) in the "closed" position. If thermostats or pressure switches (safety and boiler) are closed as well, the operating cycle will start. The equipment turns on. For the regulation of the burner, see la "RAPID GUIDE TO PROGRAMMING" and the specific instruction manual for the "BT 340" electronic cam .
- Check that the flame detector is triggered.
- FLAME SENSOR
If the flame is detected by the UV photocell remember what specified below. A slight amount of grease will strongly compromise the passage of the light radiations, preventing the internal sensitive element from receiving the quantity of radiations required for proper operation. If the bulb is fouled, it must be properly cleaned. Even the simple contact with your fingers can leave a slight amount of grease that is enough to compromise the



operation of the photocell. The photocell does not "detect" daylight or the light from a common lamp. Its sensitivity can be tested using a flame (lighter, candle). To ensure a proper operation, the cell voltage value must be sufficiently stable and not go below the minimum value required for the specific equipment. The check is performed between the terminals of the electric panel as shown in the wiring diagram.

- When the burner is working at its "minimum" output, adjust the air and diesel in the proper quantities to ensure a good combustion.
- After adjusting the air for the operation at the "minimum" output, increase the power and proceed to define the operating curve as described in the equipment manual. It is recommended to check combustion using the specific instrument at all intermediate points on the modulation curve. The maximum output is obtained with a return pressure of approx. 17 - 18 bar at a pump pressure of 25 bar (0002922840 ctp. 15). It is recommended not to exceed the value of 13 % of CO₂ in the smoke.



FLUIDICS NOZZLE WITHOUT PIN

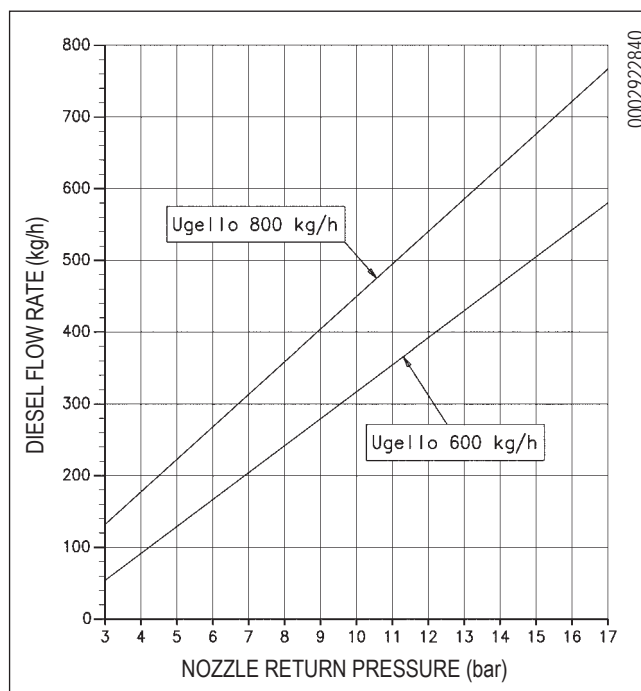
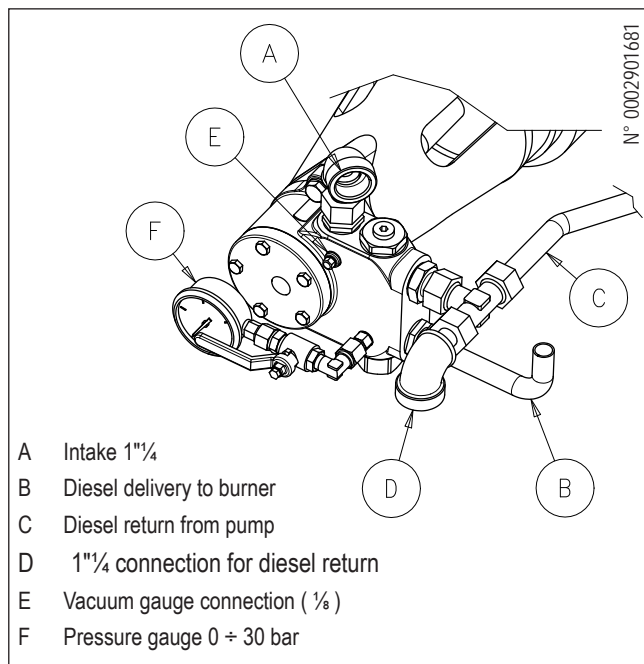
For diesel operation, use nozzles model FLUIDICS N2 45° without pin for 600 kg/h or 800 kg/h, depending in the maximum regulated thermal rate.

Diagram 0002922840 represents the curves showing the values of the fuel flow rate delivered by the two nozzles depending on the

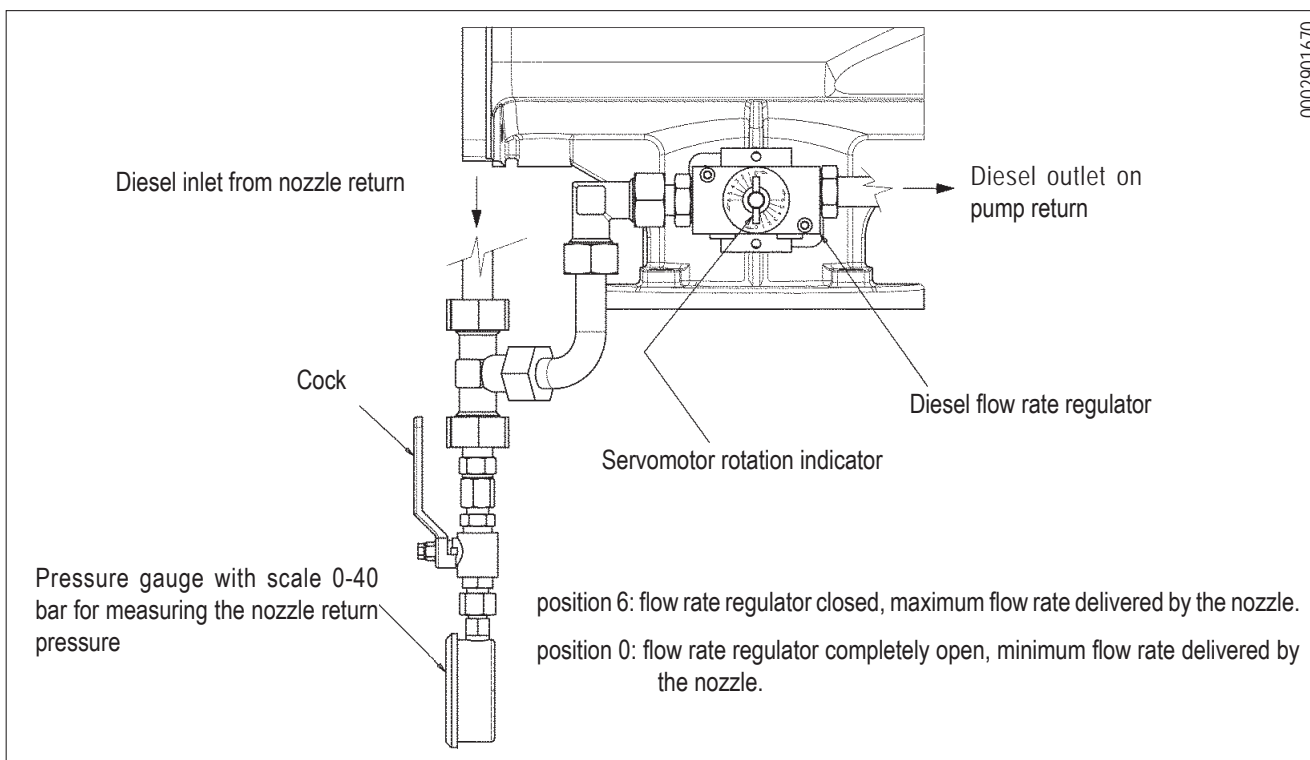
return pressure. The curves were obtained by considering a diesel pump regulating pressure of 25 bar.

The return pressure value is to be measured on the pressure gauge with scale 0-40 bar of diagram 0002901670.

PUMP CONNECTION DIAGRAM HP MODEL VBH

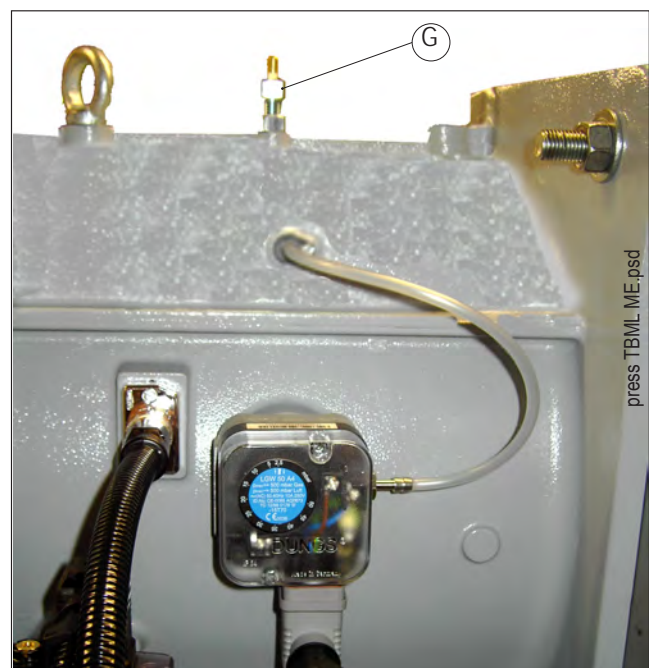
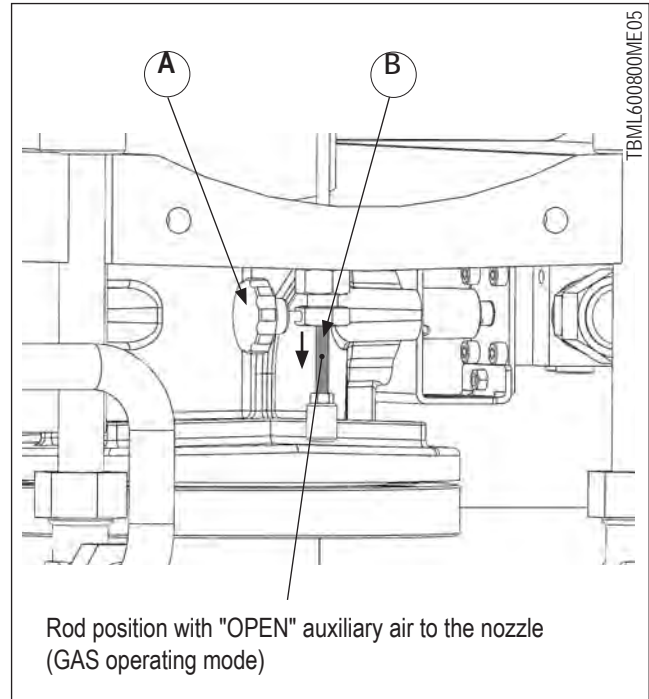


FLOW RATE REGULATOR CONNECTION DIAGRAM



GAS (METAL GAS) IGNITION AND REGULATION

- Turn the switch on the control panel to the "O" position (open).
- Turn the switch "fuel change-over" to the "GAS" position.
- Open the auxiliary air to the head unscrewing the pawl (A) and pulling the rod (B) down to its end of stroke. Retighten the pawl (A)
- Close the gate and open the shut-off elements.
- **Check that there is water in the boiler and that the gates on the system are open.**
- **Make absolutely sure that the products of combustion can be released freely (boiler and chimney gates open).**
- Check that the voltage of the electrical line to which the equipment has to be connected is appropriate for the burner and that the electrical wiring (engine or main line) are appropriate for the available voltage. Check that all electrical connections made on-site are performed correctly as shown in our wiring diagram.
- It is essential to bleed air out of the pipes, if this has not already been done when connecting the burner to the gas pipe, taking all necessary precautions and leaving all doors and windows open. Open the union on the pipe near the burner and then open the gas on/off cocks a little way. Wait until you smell gas, close the cock. Wait long enough for the gas in the room to disperse, depending on local conditions, then connect the burner to the gas pipe again.
- Apply a pressure gauge of appropriate scale (if the amount of pressure to be used permits, it is preferable to use a water column instrument; do not use instruments with indicator hands for low pressures) to the pressure intake on the gas pressure switch.
- With burner switch to "O" and main switch turned on, manually close the remote control and check that the motor revolves in the correct direction. If necessary, change the position of the two cables in the line that feeds the motor in order to reverse the direction of revolution.
- Connect (pos. I) the switch (1) on the control panel to power the equipment and close the thermostat line turning the selector (2) in the "closed" position. If thermostats or pressure switches (safety and boiler) are closed as well, the operating cycle will start. The equipment turns on. For the regulation of the burner, see "RAPID GUIDE TO PROGRAMMING" and the specific instruction manual for the "BT 340" electronic cam .
- Check that the flame detector is triggered (UV cell) with the burner on, remove it from its housing in the burner and check that it shuts down.
- Check the efficiency of the thermostats or boiler pressure switches (they should shut down the burner when triggered).
- FLAME SENSOR
If the flame is detected by the UV photocell remember what specified below. A slight amount of grease will strongly compromise the passage of the light radiations, preventing the internal sensitive element from receiving the quantity of radiations required for proper operation. If the bulb is fouled, it must be



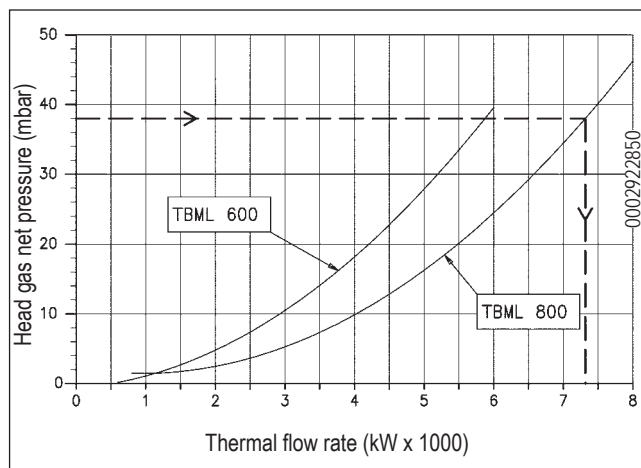
properly cleaned. Even the simple contact with your fingers can leave a slight amount of grease that is enough to compromise the operation of the photocell. The photocell does not "detect" daylight or the light from a common lamp. Its sensitivity can be tested using a flame (lighter, candle). To ensure a proper operation, the cell voltage value must be sufficiently stable and not go below the minimum value required for the specific equipment. The check is performed between the terminals of the electric panel as shown in the wiring diagram.

- When the burner is working at its "minimum" output, adjust the air and gas in the proper quantities to ensure a good combustion.
- After adjusting the air for the operation at the "minimum" output, increase the power and proceed to define the operating curve as described in the equipment manual. It is recommended to check combustion using the specific instrument at all intermediate points on the modulation curve.
- Once the regulation of air and gas is complete, check the amount of gas actually delivered by reading the meter. Do not permit the burner to operate if the combusted thermal flow rate exceeds the maximum one permitted for the boiler, to prevent it from being damaged. Upon defining the modulation curve, it is possible to have an approximate estimate of the thermal flow rate delivered at the intermediate points by measuring the gas pressure in the combustion head. Connect a pressure gauge with scale appropriate to the port (G) (see picture) and measure the gas pressure. From diagram (0002922850 стр. 17) obtain the thermal flow rate delivered, depending on the value of the pressure measured without the back pressure in the furnace.

! This method permits only an approximate estimate of the combusted thermal flow rate delivered, for a precise measuring, refer to gas meter.

Example:

- Burner TBML 800
- Pressure measured on port G: $P_{tc}=48$ mbar
- Back pressure measured in the furnace: $P_{cc}=10$ mbar
- Head pressure value without the back pressure in the furnace: $P=48-10=38$ mbar
- From the diagram, in correspondence of pressure $P=38$ mbar, a combusted thermal flow rate of about 7300 kW can be inferred.



- 1 Main switch ON - OFF
- 2 Thermostatic line switch
- 3 BT 340 Display
- 4 Equipment shut-down warning light
- 5 Voltage warning light
- 6 Fan shut-down, if supplied
- 7 Gas warning light
- 8 Diesel warning light
- 9 Pump motor lock
- 10 Fuel selector (gas / diesel)

synoptic_TBML_800 ME

AIR PRESSURE SWITCH FUNCTIONAL DESCRIPTION

The air pressure switch is used to lock the equipment if air pressure is not at the expected value. The pressure switch must be set to trigger when the air pressure in the burner does not reach the sufficient value.

To ensure the air pressure switch correct operation, with burner at the minimum output, increase the adjustment value until reaching the triggering value which must be followed by the immediate burner shut-down. Press the release button to resume the burner operation, and set the pressure switch to a sufficient value to detect the air pressure during the first phase of pre-ventilation.

GAS PRESSURE SWITCH FUNCTIONAL DESCRIPTION

The gas pressure switches (minimum and maximum) prevent the burner from operating when gas pressure is not between the expected range. The specific function of the pressure switches clearly reveals that the pressure switch for controlling minimum pressure uses the NO (normally open) contact which closes when the pressure switch detects a pressure value above the value it is set to, while the pressure switch for controlling maximum pressure uses the NC (normally closed) contact that is closed when the pressure switch detects a pressure lower than the value it is set to. The minimum and maximum gas pressure switches must be set when testing the burner, on the basis of the pressure measured in each case. The pressure switches are connected in a way in which the triggering (i.e. circuit opening) of the pressure switch controlling the maximum pressure produces the immediate locking of the burner; whereas, when the pressure switch controlling the minimum pressure is triggered, the burner stops and remains in the stand-by status until the pressure within the values needed for the operation is restored. After that, the burner re-starts in an autonomous way following the ignition sequence.

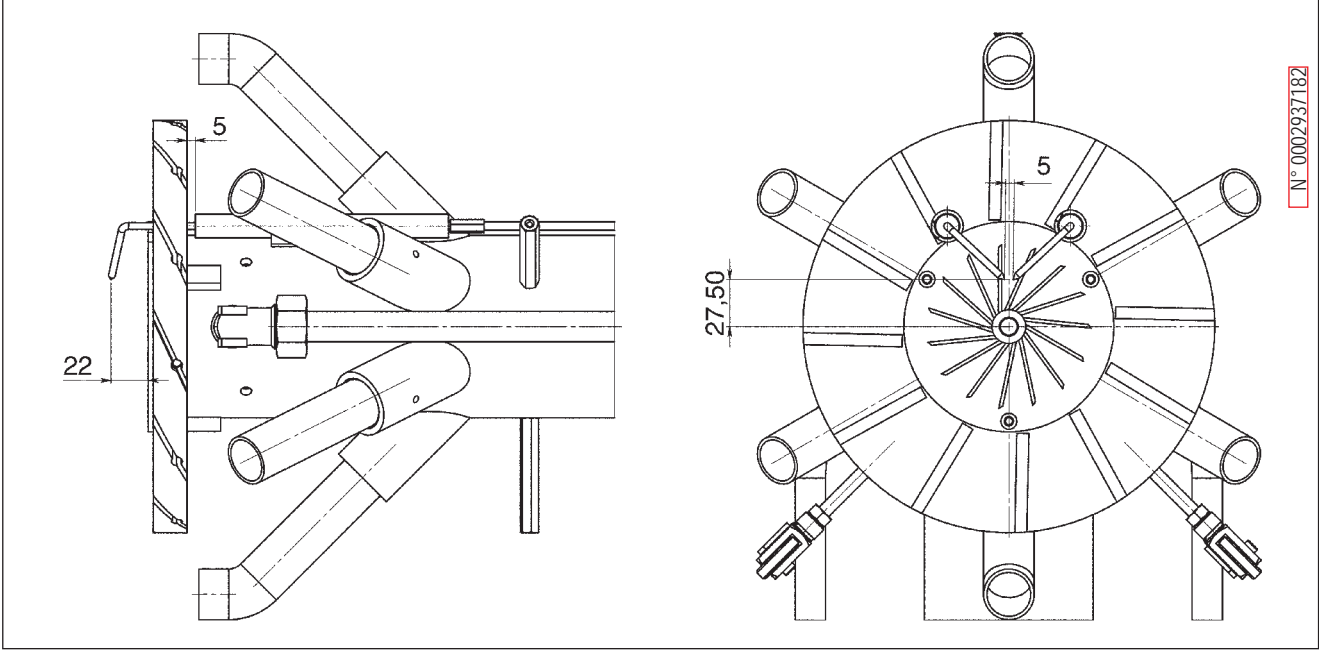
Regulation prior to burner ignition: regulate the pressure switch for minimum pressure at the minimum value of the scale, regulate the pressure switch for the maximum value at the maximum value of the scale. Regulation after the burner regulation : With the burner at the maximum delivery, regulate the pressure switch for minimum pressure by increasing the regulation value until the burner shuts down, read the value on the regulation ferrule and set it to a value diminished by 5 mbar. With the burner at the minimum delivery, regulate the pressure switch for maximum pressure, diminishing the regulation value until the NC (normally closed) contact opens. Read the value on the regulation ferrule and set it to a value increased by 5 mbar.

! in case only one pressure switch is installed on the gas train it must be a pressure switch for minimum pressure.





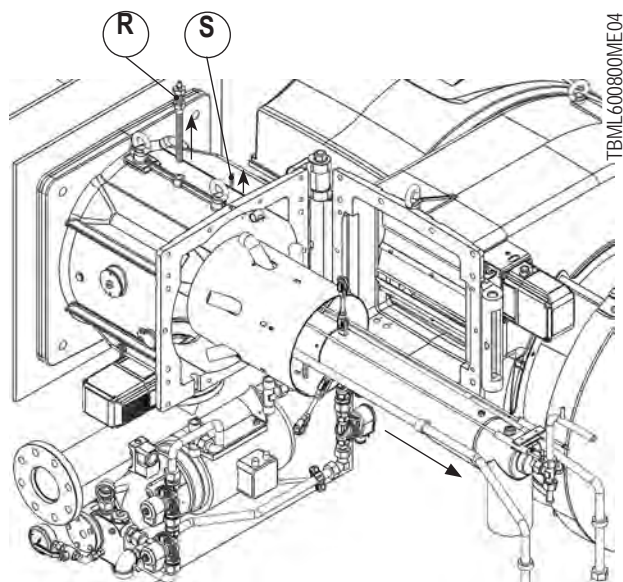
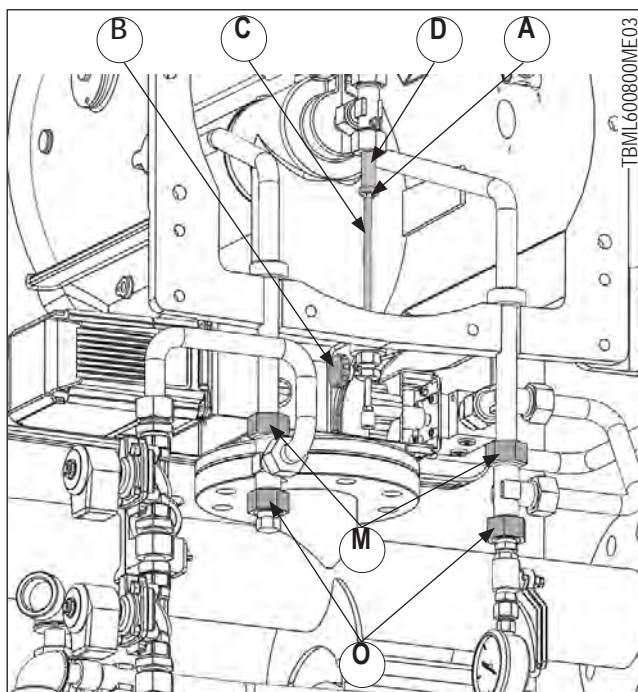
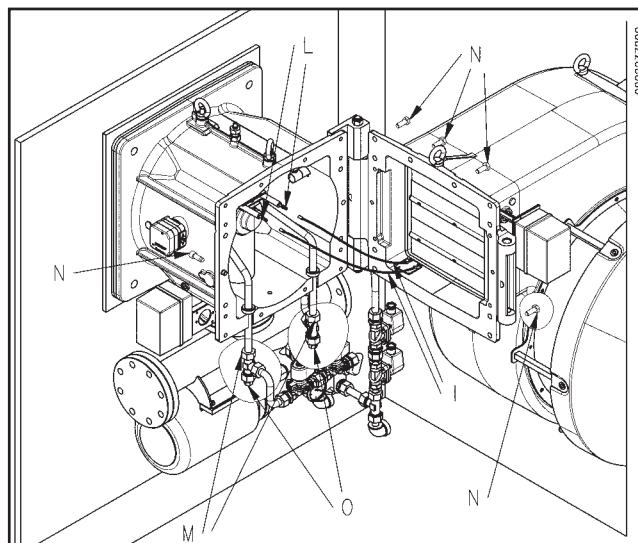
DIAGRAM ILLUSTRATING REGULATION OF COMBUSTION HEAD AND DISTANCE OF ELECTRODE DISK



MAINTENANCE

The burner does not require any particular maintenance, it is recommended at least to carry out the following operations at the end of the heating season:

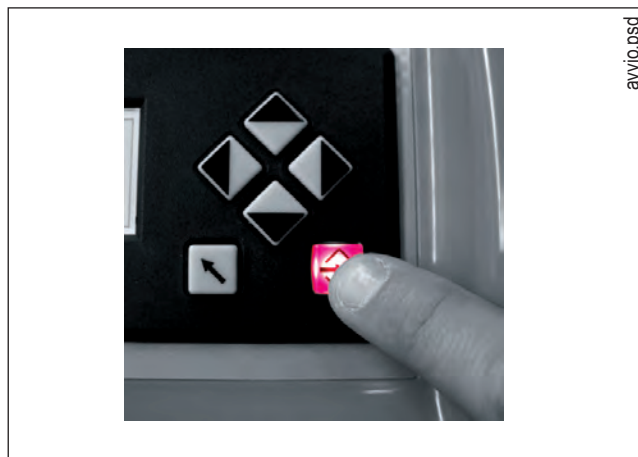
- Clean air dampers, the air pressure switch with pressure port and the relevant pipe.
- Clean the photocell.
- If necessary, have the burner and the chimney cleaned by specialized personnel (stove repairer); a clean burner is more efficient, lasts longer and is quieter.
- Periodically check that the gas filter is clean for gas burners.
- In order to clean the combustion head, its components must be disassembled. Be careful during the reassembly operations to exactly centre the gas diffuser with regard to the electrodes, making sure that they are not earthed, which would result in the locking of the burner. After regulating the two electrodes as described at diagram 0002937182. Make sure that the ignition spark occurs only between the two electrode ends.
- Analyse combustion gases and check emissions values.
- Check that all components of the combustion head are in good condition, have not been deformed by high temperatures and are free from impurities or deposits deriving from the installation environment or from poor combustion. If it is necessary to clean the combustion head, take out its components according to the procedure described below:
 - remove the UV photocell
 - Disconnect the connectors of gas and diesel solenoid valves, the gas servomotor and of the pressure regulator.
 - unscrew the anchoring screws (N), and open the ventilating body;
 - pull out the ignition cables (I) from their ignition electrode terminals (L);
 - Unscrew the caps (O), on one of which the pressure gauge indicating the pressure in the return circuit is installed, to enable the draining of the residual diesel still present in the atomization unit. Disconnect the unit connection pipes, unscrewing the nuts (M) of the "T" -shaped unions.
 - Loosen the nut (A) and the pawl (B), turn the rod (C) to unscrew it from the piston (D), then remove it completely from the burner body.
 - Unscrew the screw (R) and the screw (S) from the lung (P);
 - pull out the entire mixer unit in the direction shown by the arrow. When you have finished maintenance work, proceed to reassemble the combustion head, following the same procedure in reverse, after checking the correct position of the ignition electrodes (0002937182сртр. 19).



BURNER USE

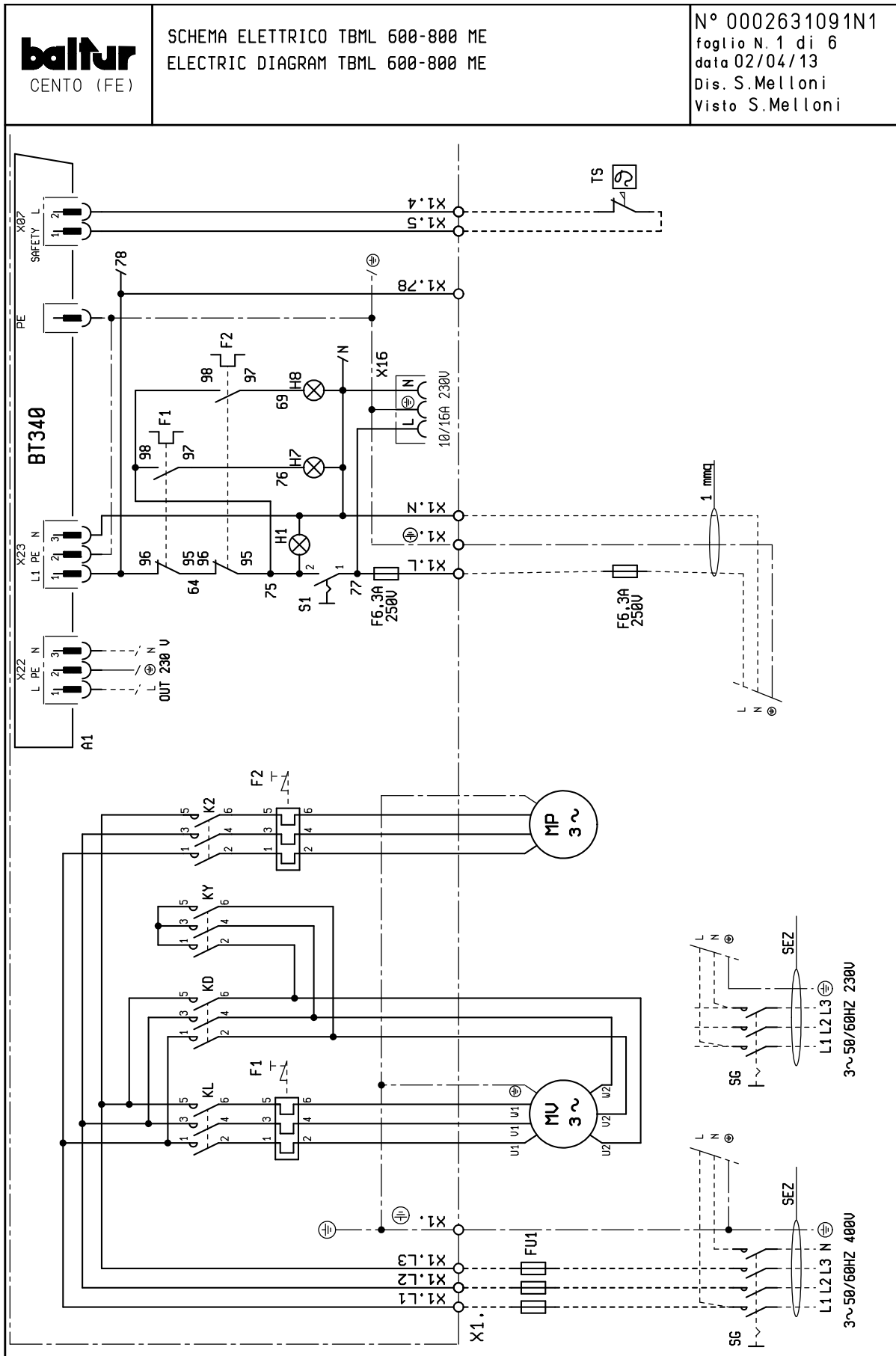
Burner's operation is fully automatic; it starts up by enabling the master and the control panel switch. Correct burner operation is regulated by command and control devices, as described in the chapter "Operation description". The "lock" position is a safety position that the burner automatically assumes when a burner or system component is not working properly. It is recommended before starting again the burner "by releasing it" to check for faults in the heating plant before restarting the burner. The burner may stay in the lock position without any time limits. To release it, press the red flashing button on the display of the BT 340 equipment ("ENTER" button).

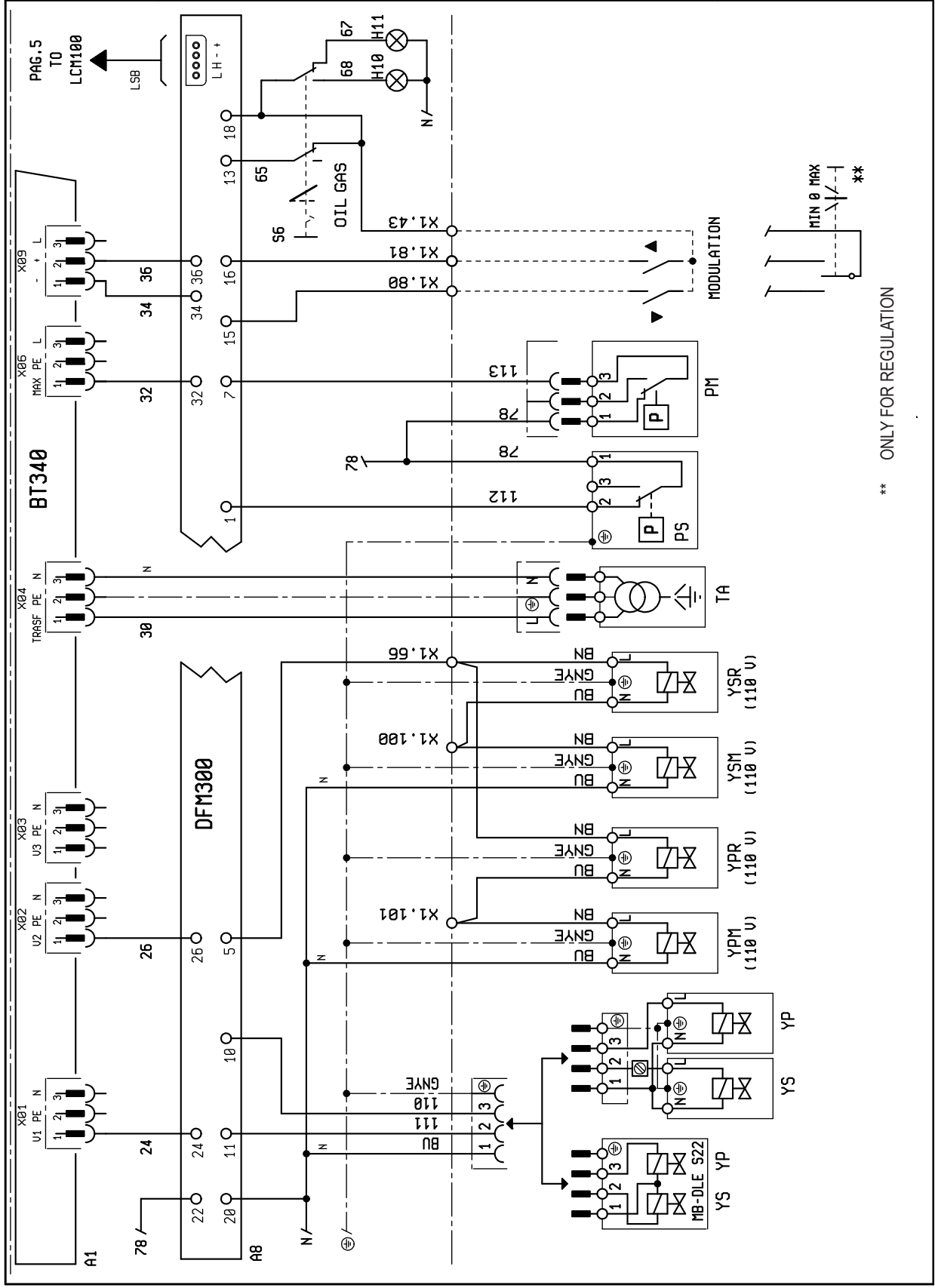
Locking may also be caused by temporary faults; in these cases if it is released, the burner will start up again in a regular way. If locking continue to occur (3-4 times), do not continue with the operation and, after having checked that the fuel arrives to the burner, ask the intervention of the after-sales service in your area.



WIRING DIAGRAM

ENGLISH

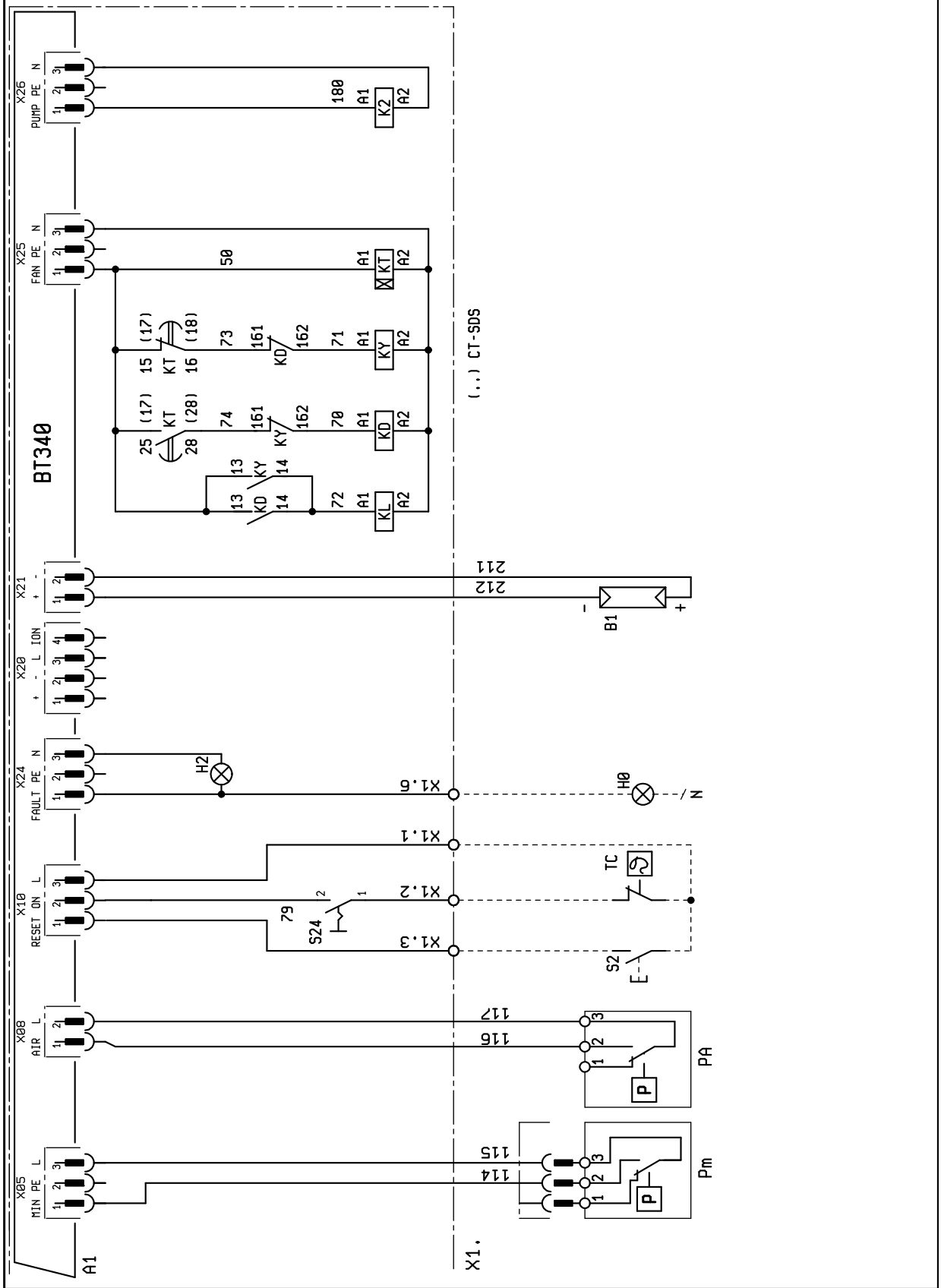




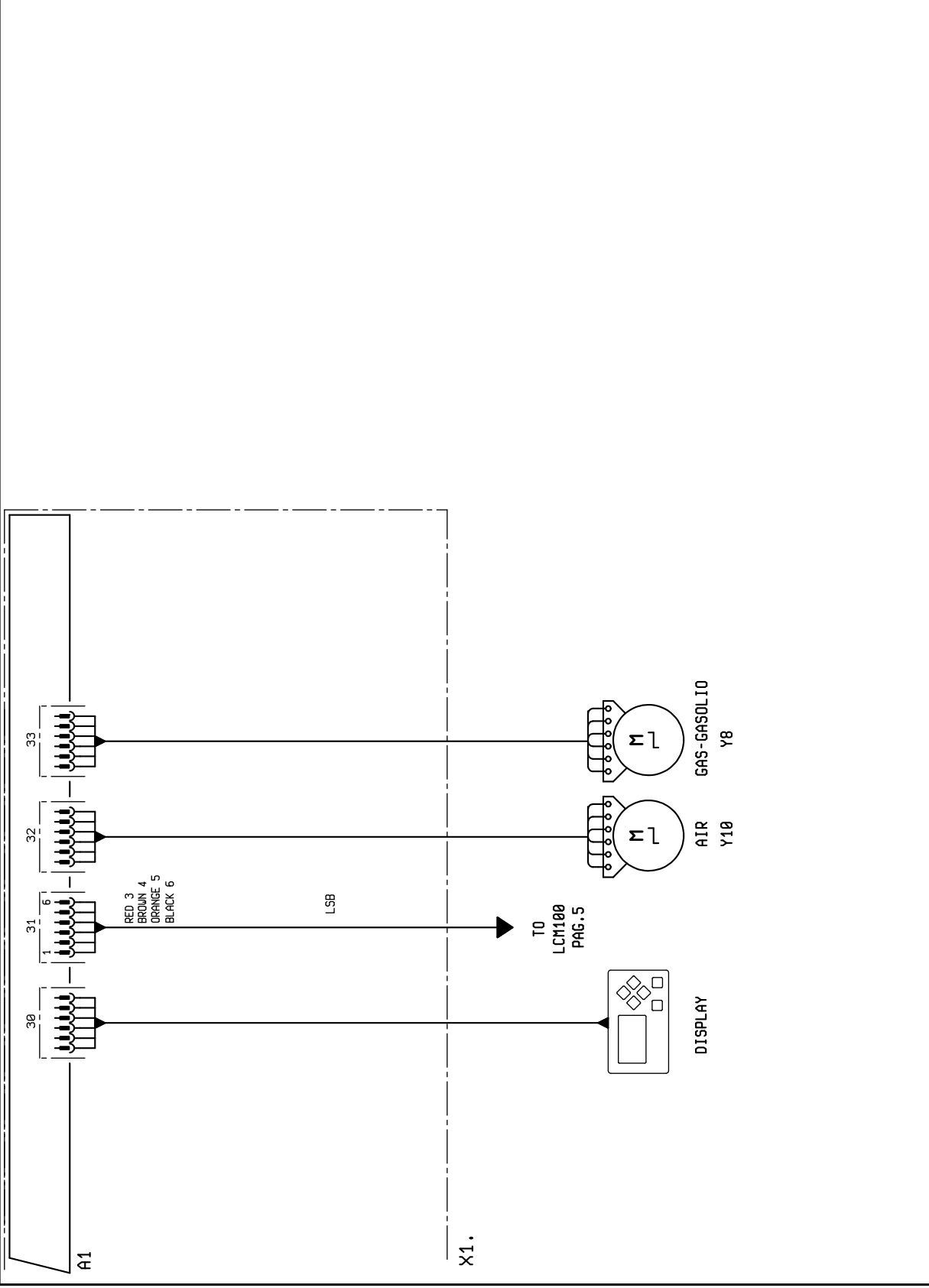
baltur
CENTO (FE)

SCHEMA ELETTRICO TBML 600-800 ME
ELECTRIC DIAGRAM TBML 600-800 ME

N° 0002631091N3
foglio N.3 di 6
data 03/04/13
Dis. S.Melloni
Visto S.Melloni



 CENTO (FE)	SCHEMA ELETTRICO TBML 600-800 ME ELECTRIC DIAGRAM TBML 600-800 ME	N° 0002631091N4 foglio N.4 di 6 data 02/04/13 Dis. S.Melloni Visto S.Melloni
----------------	--	--

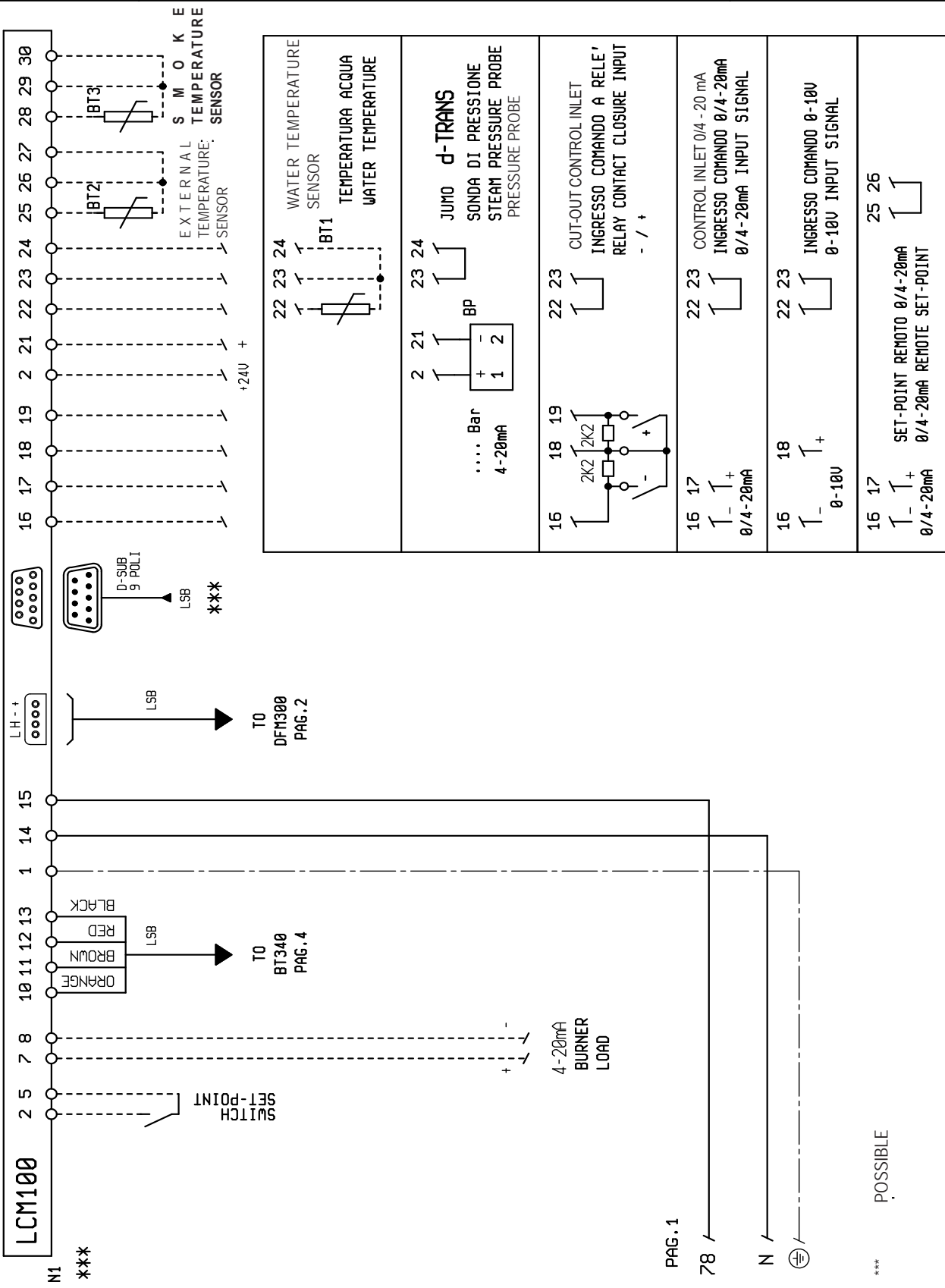




CENTO (FE)

SCHEMA ELETTRICO TBML 600-800 ME
ELECTRIC DIAGRAM TBML 600-800 ME

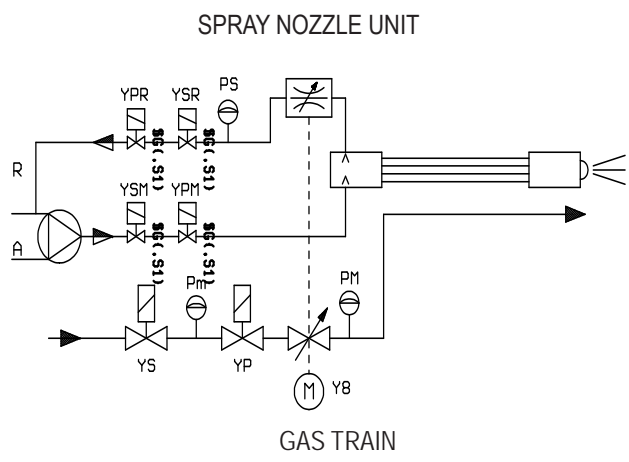
N° 0002631091N5
foglio N.5 di 6
data 04/10/2012
Dis. S.Melloni
Visto S.Melloni





A1	EQUIPMENT
A8	EQUIPMENT FOR TWO FUELS
B1	UV PHOTOCCELL
F1	THERMAL CUT-OUT
F2	PUMP THERMAL CUT-OUT
FU1	FUSES
H0	EXTERNAL SHUT-DOWN WARNING LIGHT
H1	OPERATION WARNING LIGHT
H10	GAS OPERATION WARNING LIGHT
H11	GAS WARNING LIGHT
H2	A1 SHUT-DOWN WARNING LIGHT
H7	FAN MOTOR SHUT-DOWN WARNING LIGHT
H8	PUMP MOTOR THERMAL SHUT-DOWN WARNING LIGHT
K2	PUMP MOTOR CONTACTOR
KL	LINE CONTACTOR
KD	TRIANGLE CONTACTOR
KY	STAR CONTACTOR
KT	TIMER
MP	PUMP MOTOR
MV	FAN MOTOR
N1	ELECTRONIC REGULATOR
P M	MAXIMUM PRESSURE SWITCH
PA	AIR PRESSURE SWITCH
Pm	MINIMUM PRESSURE SWITCH
PS	SAFETY PRESSURE SWITCH
S1	START/STOP SWITCH
S2	RELEASE BUTTON
S6	GAS-OIL SELECTOR
S24	SWITCH ON/OFF
SG	MAIN SWITCH
TA	IGNITION TRANSFORMER
TC	BOILER THERMOSTAT
TS	SAFETY THERMOSTAT
X1	BURNER TERMINAL BOARD
X16	SERVICE PORT
Y8	GAS / DIESEL SERVOMOTOR
Y10	AIR SERVOMOTOR
YP	MAIN SOLENOID VALVE
YPM	MAIN DELIVERY SOLENOID VALVE
YPR	MAIN RETURN SOLENOID VALVE
YS	SAFETY SOLENOID VALVE
YSM	DELIVERY SAFETY SOLENOID VALVE
YSR	RETURN SAFETY SOLENOID VALVE

DIN / IEC	
GNYE	GREEN/YELLOW
BU	BLUE
BN	BRUNO
BK*	BLACK
BK*	BLACK CONDUCTOR WITH OVERPRINT







- Antes de comenzar a usar el quemador leer atentamente el opúsculo con las "ADVERTENCIAS PARA EL USUARIO PARA EL USO SEGURO DEL QUEMADOR" incluido en el manual de instrucciones, parte integral y esencial del producto.
- Antes de poner el funcionamiento el quemador o de realizar el mantenimiento, leer las instrucciones atentamente.
- Sólo personal calificado puede realizar tareas en el quemador y en el equipo.
- La alimentación eléctrica debe ser desconectada del equipo antes de comenzar las tareas.
- Si las tareas no se llevan a cabo correctamente, esto puede causar accidentes peligrosos.

Declaración de conformidad



CE0085:

DVGW CERT GmbH, Josef-Wirmer Strasse 1-3 – 53123 Bonn (D)

Declaramos que nuestros quemadores de aire soplado de combustibles líquidos, gaseoso y mixtos, domésticos e industriales, serie: BPM...; BGN...; BT...; BTG...; BTL...; TBML...; Comist...; GI...; GI...Mist; Minicomist...; PYR...; RiNOx...; Spark...; Sparkgas...; TBG...; TBL...; TS...; IBR...; IB...

(Variante: ... LX, para bajas emisiones de NOx)

respetan los requisitos mínimos impuestos por las Directivas Europeas:

- 2009/142/CE (D.A.G.)
- 2004/108/CE (C.E.M.)
- 2006/95/CE (D.B.T.)
- 2006/42/CE (D.M.)

y son conformes con las Normas Europeas:

- EN 676:2003+A2:2008 (gas y mixtos, lado gas)
- EN 267:2009 (gasóleo y mixtos, lado gasóleo)

Cento, 23 de Julio de 2013

*Director de Investigación
& Desarrollo
Ing. Paolo Bolognin*

*Administrador Delegado
y Director General
Dr. Riccardo Fava*

PELIGRO	ADVERTENCIAS	ATENCIÓN	INFORMACIÓN
---------	--------------	----------	-------------

CARACTERÍSTICAS TÉCNICAS.....	4
APLICACIÓN DEL QUEMADOR A LA CALDERA.....	6
CONEXIONES ELÉCTRICAS.....	6
EQUIPO DE ALIMENTACIÓN CON COMBUSTIBLE (GASÓLEO).....	8
MONTAJE DE LA RAMPA DE GAS.....	9
MONTAJE GRUPO BISAGRA.....	9
ENCENDIDO Y REGULACIÓN A GASÓLEO.....	11
ENCENDIDO Y REGULACIÓN CON GAS (METANO).....	13
DESCRIPCIÓN DEL FUNCIONAMIENTO DEL PRESOSTATO GAS.....	15
MANTENIMIENTO.....	16
USO DEL QUEMADOR.....	17
ESQUEMA ELÉCTRICO.....	18



ADVERTENCIAS PARA EL USO EN CONDICIONES DE SEGURIDAD

Estas advertencias tienen la finalidad de contribuir a la seguridad cuando se utilizan las partes que se usan en instalaciones de calefacción de uso civil y producción de agua caliente para uso sanitario, indicando qué hay que hacer y las medidas que hay que adoptar para evitar que sus características originarias de seguridad dejen de serlo por una eventual instalación incorrecta, un uso erróneo, impropio o inadecuado. La difusión de las advertencias suministradas en esta guía tiene la finalidad de sensibilizar al público de «consumidores» sobre los problemas de seguridad con un lenguaje necesariamente técnico pero fácilmente comprensible. Queda excluida toda responsabilidad contractual y extracontractual del fabricante por daños causados debidos a errores en la instalación, en el uso y por no haber respetado las instrucciones dadas por el fabricante en cuestión.

ADVERTENCIAS GENERALES

- El libro de instrucciones constituye una parte integrante y esencial del producto y tiene que entregarse al usuario. Hay que leer detenidamente las advertencias contenidas en el libro de instrucciones pues suministran indicaciones importantes sobre la seguridad de la instalación, el uso y el mantenimiento. Conserve con cuidado el libro para poder consultarlo en cualquier momento.
- La instalación del aparato debe realizarse respetando las normas vigentes, según las instrucciones del fabricante, y tiene que realizarla el personal cualificado profesionalmente. Por personal cualificado profesionalmente se entiende el que cuenta con una competencia técnica en el sector de la calefacción de uso civil y producción de agua caliente para uso sanitario y, en concreto, los centros de asistencia autorizados por el fabricante. Una instalación errónea pueda causar daños a personas, animales y cosas, de los que el fabricante no se hace responsable.
- Después de haber quitado todo el embalaje hay que asegurarse de que el contenido esté íntegro. En caso de dudas no utilice el aparato y diríjase al proveedor. Las partes del embalaje (jaula de madera, clavos, grapas, bolsas de plástico, poliestireno expandido, etc.) no tienen que dejarse al alcance de los niños pues son potenciales fuentes de peligro. Además, para evitar que contaminen, tienen que recogerse y depositarse en sitios destinados a dicha finalidad.
- Antes de realizar cualquier operación de limpieza o de mantenimiento hay que desconectar el aparato de la red de alimentación eléctrica mediante el interruptor de la instalación con los órganos de corte a tal efecto.
- En caso de avería y/o mal funcionamiento del aparato hay que desactivarlo, absteniéndose de realizar cualquier intento de reparación o intervención directa. Diríjase exclusivamente a personal cualificado profesionalmente. La eventual reparación de los aparatos tiene que hacerla solamente un centro de asistencia autorizado por BALTUR utilizando exclusivamente repuestos originales. Si no se respeta lo anteriormente se puede comprometer la seguridad del aparato. Para garantizar la eficacia del aparato y para que funcione correctamente es indispensable que el personal cualificado profesionalmente realice el mantenimiento periódicamente ateniéndose a las indicaciones suministradas por el fabricante.
- Si el aparato se vende o pasa a otro propietario, o si usted se muda de casa y deja el aparato, hay que asegurarse siempre de que el libro de instrucciones esté siempre con el aparato para que pueda ser consultado por el nuevo propietario y/o instalador.
- Para todos los aparatos con elementos opcionales o kits (incluidos los eléctricos) hay que utilizar solo accesorios originales.

QUEMADORES

- Este aparato está destinado solo al uso para el que ha sido expresamente previsto: aplicación a calderas, generadores de aire caliente, hornos u otras cámaras de combustión similares, situados en un lugar resguardado

de agentes atmosféricos. Cualquier otro uso se considera impropio y por lo tanto peligroso.

- El quemador tiene que instalarse en un local adecuado con aberturas mínimas de ventilación, según lo que prescriben las normas vigentes, que sean suficientes para obtener una combustión perfecta.
- No hay que obstruir ni reducir la sección de las rejillas de aspiración del aire del quemador ni las aberturas de ventilación del local donde está colocado el quemador o una caldera, para evitar que se creen situaciones peligrosas como la formación de mezclas tóxicas y explosivas.
- Antes de conectar el quemador hay que asegurarse de que los datos de la placa correspondan con los de la red de alimentación (eléctrica, gas, gasóleo u otro combustible).
- No hay que tocar las partes calientes del quemador pues normalmente están cerca de la llama y del eventual sistema de precalentamiento del combustible y se calientan durante el funcionamiento, permaneciendo calientes incluso después de una parada no prolongada del quemador.
- Cuando se decida no utilizar definitivamente el quemador, hay que encarar al personal cualificado profesionalmente que realice las operaciones siguientes:
 - a) Desconectar la alimentación eléctrica quitando el cable de alimentación del interruptor general.
 - b) Cerrar la alimentación del combustible por medio de la válvula de corte y quitar los volantes de mando de su alojamiento.
 - c) Hacer que sean inocuas las partes que podrían ser potenciales fuentes de peligro.

Advertencias particulares

- Asegurarse de que quien se ha encargado de la instalación del quemador lo haya fijado firmemente al generador de calor de manera que la llama se forme dentro de la cámara de combustión del generador en cuestión.
- Antes de poner en marcha el quemador y por lo menos una vez al año, el personal cualificado profesionalmente tiene que realizar las siguientes operaciones:
 - a) Regular el caudal del combustible del quemador según la potencia que requiere el generador de calor.
 - b) Regular el caudal de aire comburente para obtener un valor de rendimiento de la combustión que sea por lo menos igual que el mínimo impuesto por las normas vigentes.
 - c) Controlar la combustión para evitar que se formen gases no quemados nocivos o contaminantes, superiores a los límites consentidos por las normas vigentes.
 - d) Comprobar que funcionen bien los dispositivos de regulación y seguridad.
 - e) Comprobar que funcione correctamente el conducto de expulsión de los productos de la combustión.
 - f) Al final de todas las regulaciones controlar que todos los sistemas de bloqueo mecánico de los dispositivos de regulación estén bien apretados.
 - g) Asegurarse de que en el local donde está la caldera estén las instrucciones de uso y mantenimiento del quemador.
- Si el quemador se para bloqueándose varias veces no hay que insistir rearmándolo manualmente; diríjase al personal cualificado profesionalmente para remediar el problema anómalo.
- El manejo y el mantenimiento tienen que hacerlos solo el personal cualificado profesionalmente, respetando las disposiciones vigentes.

ALIMENTACIÓN ELÉCTRICA

- La seguridad eléctrica del aparato se consigue solo cuando el mismo está conectado correctamente a una buena instalación de puesta a tierra, realizado tal y como establecen las normas de seguridad vigentes. Es necesario comprobar este requisito de seguridad fundamental. **En caso de dudas, pida al personal cualificado profesionalmente que haga un control detenido de la instalación eléctrica pues el fabricante no se hace responsable de los posibles daños causados por la falta de puesta a tierra de la instalación.**
- **Haga que el personal cualificado profesionalmente controle que la instalación eléctrica sea adecuada a la potencia máxima absorbida por el aparato, indicada en la placa, comprobando concretamente que la sección de los cables de la instalación sea idónea a la potencia absorbida por el aparato.**
- Para la alimentación general del aparato de la red eléctrica no está permitido el uso de adaptadores, enchufes múltiples y/o alargaderas.
- Para la conexión a la red hay que poner un interruptor omnipolar con una distancia de apertura de los contactos igual o superior a 3 mm, como prevén las normativas de seguridad vigentes.
- Quitar la vaina del aislante externo del cable de alimentación en la medida estrictamente necesaria para la conexión, evitando así que el cable entre en contacto con las partes metálicas.
- Para la conexión a la red hay que poner un interruptor omnipolar como prevé la normativa de seguridad vigente.
- La alimentación eléctrica del quemador tiene que tener el neutro a tierra. En caso de supervisión de la corriente de ionización con el neutro no conectado a tierra es indispensable conectar entre el borne 2 (neutro) y la tierra el circuito RC.
- El uso de cualquier componente que utilice energía eléctrica comporta el respeto de algunas reglas fundamentales como:
 - no tocar el aparato con partes del cuerpo mojadas o húmedas y/o con los pies descalzos.
 - no tirar de los cables eléctricos
 - no dejar el aparato expuesto a agentes atmosféricos (lluvia, sol, etc.) de no ser que no esté expresamente previsto.
 - no permitir que el aparato lo usen niños o personas inexpertas.
- El cable de alimentación del aparato no tiene que cambiarlo el usuario. En caso de que el cable esté roto, apague el aparato y para cambiarlo, diríjase exclusivamente a personal profesionalmente cualificado.
- Si decide no utilizar el aparato durante un cierto periodo es oportuno apagar el interruptor eléctrico de alimentación de todos los componentes de la instalación que utilizan energía eléctrica (bombas, quemador, etc.).

ALIMENTACIÓN CON GAS, GASÓLEO U OTROS COMBUSTIBLES

Advertencias generales

- La instalación del quemador tiene que realizarla el personal profesionalmente cualificado y debe ajustarse a las normas y disposiciones vigentes, ya que una instalación errónea puede causar daños a personas, animales o cosas, de los que el fabricante no puede ser considerado responsable.
- Antes de la instalación se aconseja hacer una buena limpieza de todos los tubos de la instalación de abastecimiento del combustible para evitar posibles residuos que podrían comprometer el buen funcionamiento del quemador.

- La primera vez que se pone en funcionamiento el aparato, el personal cualificado profesionalmente tiene que controlar:
 - a) la estanqueidad en el tramo interior y exterior de los tubos de abastecimiento del combustible;
 - b) la regulación del caudal del combustible según la potencia requerida por el quemador;
 - c) que el quemador esté alimentado por el tipo de combustible para el que ha sido diseñado;
 - d) que la presión de alimentación del combustible esté comprendida dentro de los valores indicados en la placa del quemador;
 - e) que la instalación de alimentación del combustible esté dimensionada para el caudal necesario del quemador y que tenga todos los dispositivos de seguridad y control prescritos por las normas vigentes.
- Si se decide no utilizar el quemador durante un cierto periodo hay que cerrar la llave o llaves de alimentación del combustible. Advertencias particulares para el uso del gas
- El personal cualificado profesionalmente tiene que controlar:
 - a) que la línea de abastecimiento de combustible y la rampa se ajusten a las normativas vigentes.
 - b) que todas las conexiones del gas sean estancas.
- No utilizar los tubos del gas como puesta a tierra de aparatos eléctricos.
- No dejar el aparato inútilmente conectado cuando no se utilice y cerrar siempre la llave del gas.
- En caso de ausencia prolongada del usuario del aparato hay que cerrar la llave principal que abastece gas al quemador.
- Si se advierte olor de gas:
 - a) no accionar los interruptores eléctricos, el teléfono ni cualquier otro objeto que pueda provocar chispas;
 - b) abrir inmediatamente puertas y ventanas para crear una corriente de aire que purifique el local;
 - c) cerrar las llaves del gas;
 - d) pedir que intervenga el personal cualificado profesionalmente.
- No obstruir las aberturas de ventilación del local donde está instalado un aparato de gas para evitar situaciones peligrosas como la formación de mezclas tóxicas y explosivas.

CHIMENEAS PARA CALDERAS DE ALTO RENDIMIENTO Y SIMILARES

Es oportuno precisar que las calderas de alto rendimiento y similares descargan en la chimenea los productos de la combustión (humos) a una temperatura relativamente baja. En el caso arriba mencionado las chimeneas tradicionales, dimensionadas comúnmente (sección y aislamiento térmico) pueden no ser adecuadas para funcionar correctamente pues el enfriamiento que los productos de la combustión sufren al recorrer las mismas hace probablemente que la temperatura disminuya por debajo del punto de condensación. En una chimenea que trabaja con un régimen de condensación se forma hollín en la zona de salida a la atmósfera cuando se quema gasóleo o fuel-oil, o se forma agua de condensación a lo largo de la chimenea en cuestión, cuando se quema gas (metano, G.L.P., etc.). Según lo anteriormente mencionado se deduce que las chimeneas conectadas a calderas de alto rendimiento y similares tienen que estar dimensionadas (sección y aislamiento térmico) para su uso específico para evitar el inconveniente arriba descrito.

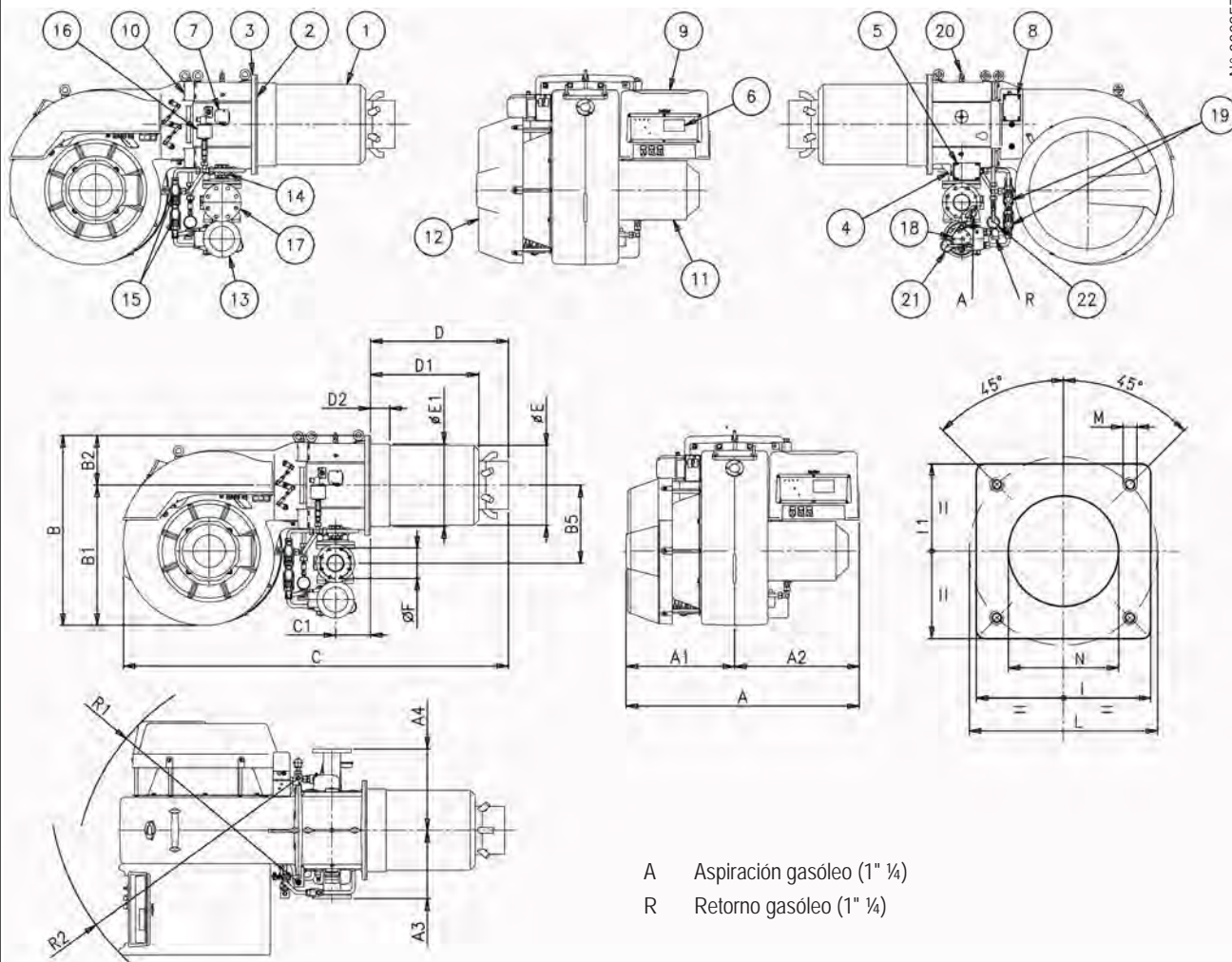
CARACTERÍSTICAS TÉCNICAS

			TBML 600 ME	TBML 800 ME
Metano	POTENCIA TÉRMICA	MÁX. kW	6000	8000
		MÍN. kW	800	800
EMISIONES NOx			< 80 (Clase III según EN 676)	
PRESIÓN			MÁX. mbar 700	
Gasóleo	POTENCIA TÉRMICA	MÁX. kW	6000	8000
		MÍN. kW	2000	2000
	EMISIONES NOx			< 185 (Clase II según EN 267)
Viscosidad máxima del combustible			1,5° E - 20°C	
FUNCIONAMIENTO			MODULACIÓN ELECTRÓNICA "BT 340"	
TRANSFORMADOR DE ENCENDIDO			2 x 5 kV - 30 mA - 230 V - 50/60 Hz	
MOTOR DEL VENTILADOR		50 Hz	11 kW - 2390 r.p.m.	15 kW - 2390 r.p.m.
		60 Hz	15 kW - 3487 r.p.m.	18,5 kW - 3515 r.p.m.
MOTOR DE LA BOMBA		50 Hz	2,2 kW - 1430 r.p.m.	
		60 Hz	2,6 kW - 1710 r.p.m.	
POTENCIA ELÉCTRICA ABSORBIDA*		50 Hz	14 kW	18 kW
		60 Hz	18,4	21,9
TENSIÓN		50 Hz	3N ~ 400 V - 50 Hz	
		60 Hz	3N ~ 380 V - 60 Hz	
GRADO DE PROTECCIÓN			IP54	
DETECCIÓN LLAMA			FOTORRESISTENCIA	
RUÍDO**		dBA	84,0	83,5
PESO		kg	600	640

*) Absorción total, en fase de inicio, con transformador de encendido activado.

***) Presión sonora medida en el laboratorio del fabricante, con quemador en funcionamiento en la caldera de prueba, con la potencia térmica nominal máxima.

MATERIAL SUMINISTRADO	TBML 600 ME	TBML 800 ME
JUNTA AISLANTE	2	
PRISIONEROS	N° 4 M20	
TUERCAS HEXAGONALES	N° 4 M20	
ARANDELAS PLANAS	N° 4 Ø20	
FILTRO GASÓLEO	N°1 - 1"¼	
TUBOS FLEXIBLES	N°2 - 1"¼ x 1"¼	



A Aspiración gasóleo (1" ¼)
R Retorno gasóleo (1" ¼)

1	Cabezal de combustión
2	Junta
3	Brida de sujeción del quemador
4	Válvula de mariposa gas
5	Servomotor regulación gas / gasóleo
6	Pantalla equipo
7	Controlador de la presión del aire
8	Servomotor de regulación del aire
9	Cuadro eléctrico
10	Bisagra
11	Motor ventilador
12	Encanalador de aire en aspiración

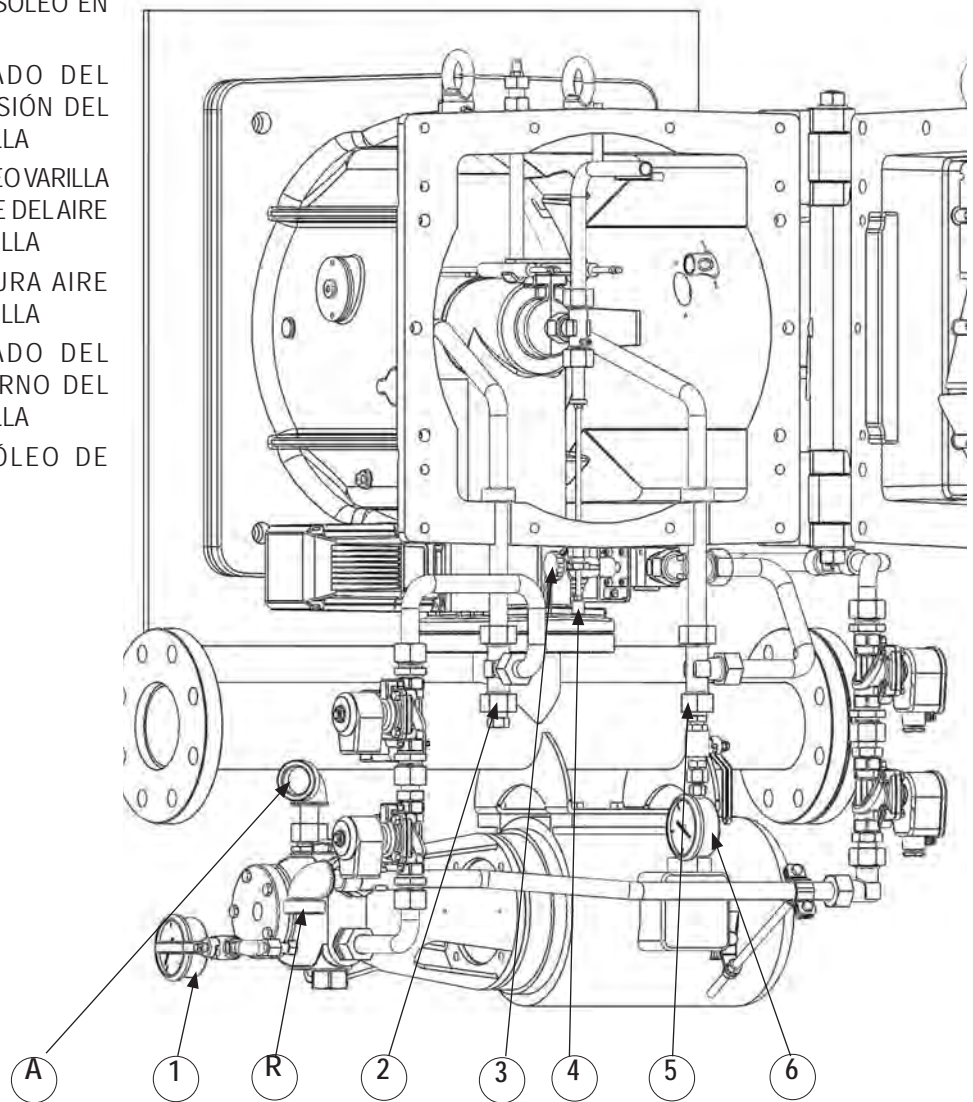
13	Motor de la bomba
14	Regulador de caudal del gasóleo
15	Electroválvula gasóleo retorno
16	Presostato del gasóleo
17	Brida enganche rampa de gas (montaje lado der. o izq.)
18	bomba de gasóleo
19	Electroválvula gasóleo impulsión
20	Tornillo de fijación conexión gas / toma de presión
21	Manómetro gasóleo de impulsión
22	Manómetro gasóleo de retorno

mod.	A	A1	A2	A3	A4	B	B1	B5	C	C1	D	D1	D2	E Ø	E1 Ø	F Ø	R1	R2	I	I1	L Ø	M	N Ø
TBML 600 ME	1230	570	660	335	425	1000	740	260	2020	190	715	570	100	418	432	DN80	1200	1310	520	520	594	M20	440
TBML 800 ME	1230	570	660	335	425	1000	740	260	2020	190	715	570	100	418	432	DN80	1200	1310	520	520	594	M20	440

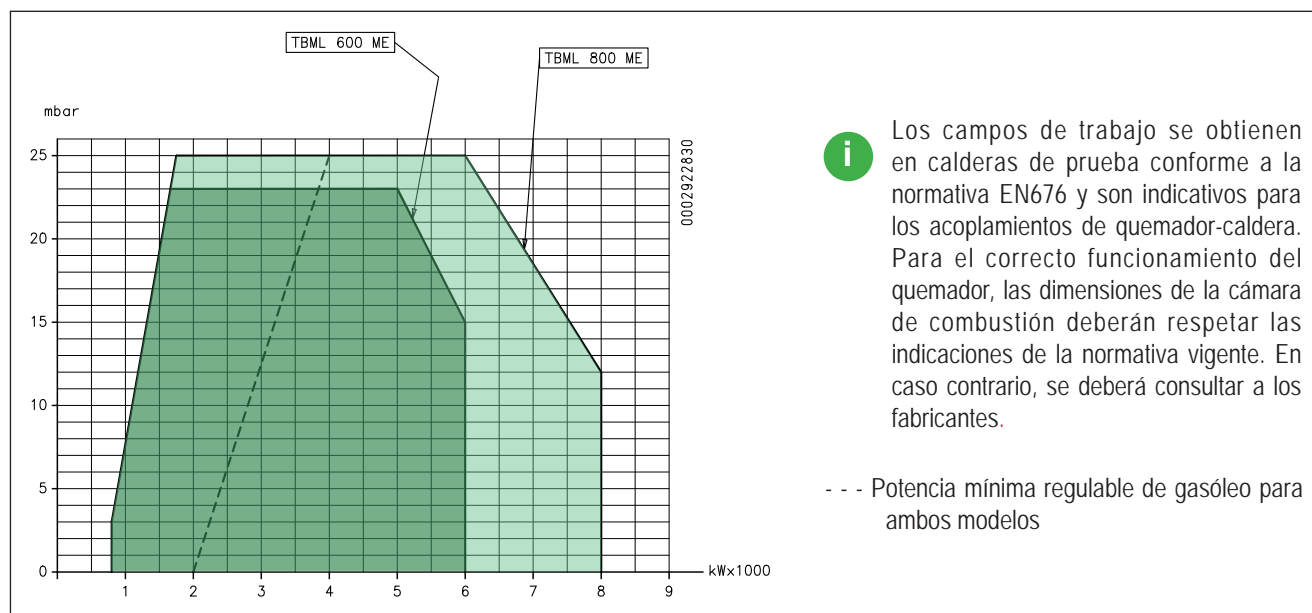
- 1 MANÓMETRO DEL GASÓLEO EN IMPULSIÓN
- 2 TUERCA DE VACIADO DEL CIRCUITO DE IMPULSIÓN DEL GASÓLEO A LA BOQUILLA
- 3 TRINQUETE DE BLOQUEO VARILLA DE APERTURA / CIERRE DEL AIRE AUXILIAR EN LA BOQUILLA
- 4 VARILLA DE APERTURA AIRE AUXILIAR EN LA BOQUILLA
- 5 TUERCA DE VACIADO DEL CIRCUITO DE RETORNO DEL GASÓLEO A LA BOQUILLA
- 6 MANÓMETRO GASÓLEO DE RETORNO.

A Aspiración gasóleo (1" ¼)

R Retorno gasóleo (1" ¼)



CAMPO DE TRABAJO



Los campos de trabajo se obtienen en calderas de prueba conforme a la normativa EN676 y son indicativos para los acoplamientos de quemador-caldera. Para el correcto funcionamiento del quemador, las dimensiones de la cámara de combustión deberán respetar las indicaciones de la normativa vigente. En caso contrario, se deberá consultar a los fabricantes.

--- Potencia mínima regulable de gasóleo para ambos modelos

CARACTERÍSTICAS DE CONSTRUCCIÓN

El quemador está formado por:

- Parte de ventilación de aleación ligera de aluminio.
- Ventilador centrífugo de altas prestaciones.
- Encanalador de aire en aspiración.
- Cabezal de combustión con bloqueo de acero inoxidable.
- Portilla de visualización de la llama.
- Motor eléctrico trifásico para el accionamiento del ventilador.
- Presostato del aire que garantiza la presencia de aire comburente.
- Rampa de gas con válvulas reguladora, de funcionamiento y de seguridad, presostato de mínima y máxima, regulador de presión y filtro de gas.
- Regulación del caudal de combustible mediante tramite servomotor que manda la mariposa gas y el regulador de caudal gasóleo.
- Sistema automático de control del quemador con microprocesador (leva electrónica), de conformidad con la normativa europea EN298, integrado con el control de estanqueidad de las válvulas. Pantalla de visualización de la secuencia de funcionamiento y el código de error en caso de bloqueo.
- Control de presencia de llama mediante fotocélula UV.
- Cuadro de mandos que comprende interruptor de encendido/apagado y apagado del quemador, selector combustible, indicadores de funcionamiento y de bloqueo, y teclado para la programación de la leva electrónica.
- Sistema eléctrico con grado de protección IP45.

CARACTERÍSTICAS TÉCNICAS FUNCIONALES

- Quemador mixto en grado de funcionar alternativamente con gas natural o con gasóleo (viscosidad máx. 1,5°E a 20°C).
- Homologación CE de conformidad con la normativa europea EN 676 para el gas natural y EN 267 para el gasóleo.
- Funcionamiento en dos etapas progresivas / modulante para ambos combustibles.
- Equipo electrónico de control Lamtec mod. BT 340, con microprocesador.
- Regulación del caudal combustible / aire comburente mediante dos servomotores controlados por el equipo electrónico
- Cabezal de combustión de recirculación parcial de los gases de combustión a emisiones reducidas (clase III según EN 676 para el gas natural y clase II según EN 267 para el gasóleo).
- Bisagra de apertura ambidiestra para un cómodo acceso al grupo de mezcla sin desmontar el quemador de la caldera.
- Regulación del caudal mínimo y máximo del aire mediante el servomotor eléctrico paso a paso mediante el cierre de la compuerta de aire en parada, para evitar la dispersión del calor en la chimenea.
- Funciones de control de estanqueidad válvulas conforme a la normativa europea EN676 y de regulación de la potencia (para mayor información sobre el funcionamiento del equipo BT 340, leer atentamente las instrucciones de uso en la GUÍA RÁPIDA suministrada con el quemador)
- Dispositivo para la regulación del aire auxiliar de enfriamiento de la boquilla del gasóleo

APLICACIÓN DEL QUEMADOR A LA CALDERA

MONTAJE DEL GRUPO DE LA CABEZA

Asegúrese de que la cabeza de combustión se introduce en la chimenea en la medida indicada por el constructor de la caldera. Antes de instalar el quemador en la caldera, compruebe que la tobera sea adecuada para la potencia requerida, de lo contrario sustitúirla según las indicaciones del diagrama. *cmp. 15*

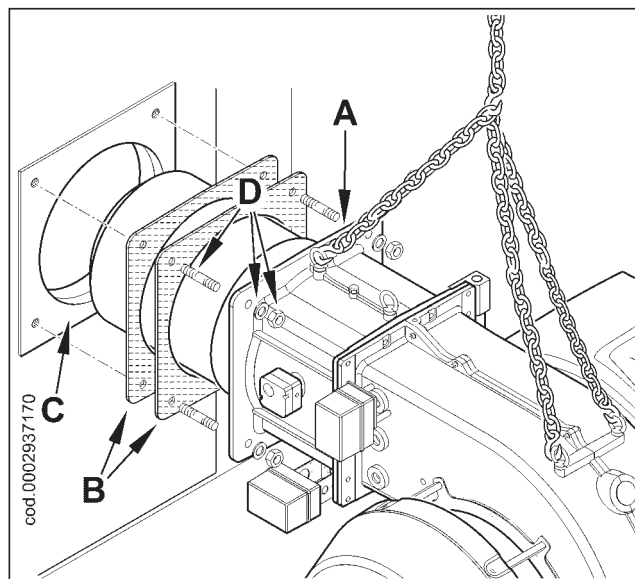
Para mover el quemador se recomienda enganchar un equipo de elevación idóneo a las armellas de la figura 0002937170.

Fije el quemador a la puerta de la caldera como se indica a continuación:

- Coloque las dos juntas aislantes (B) en la brida de sujeción del quemador (A).
- Fije la brida (A) a la caldera (C) con los prisioneros, las arandelas y las tuercas correspondientes suministradas (D).



Selle completamente con el material adecuado el espacio entre el manguito del quemador y el orificio del refractario dentro de la puerta de la caldera.

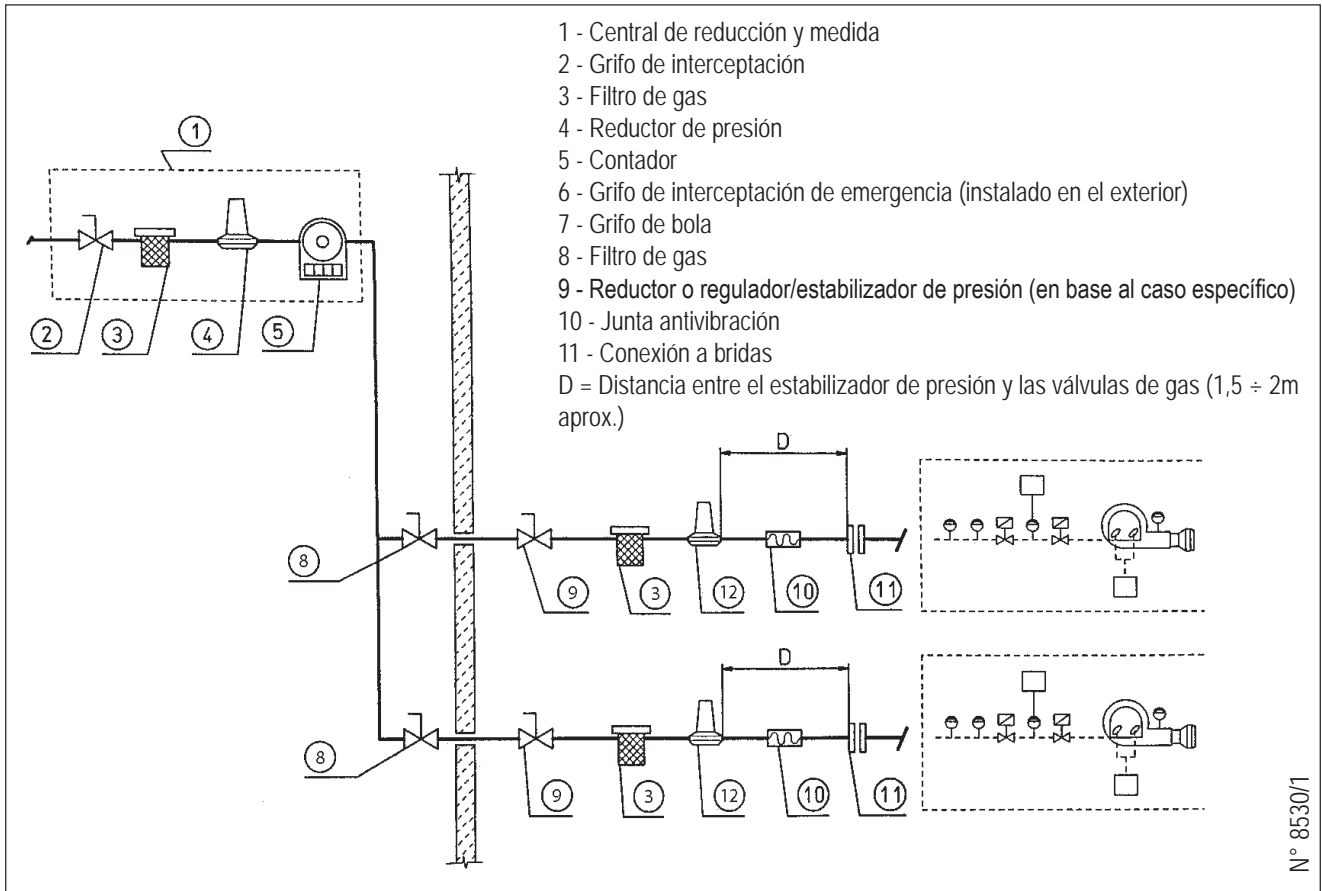


CONEXIONES ELÉCTRICAS

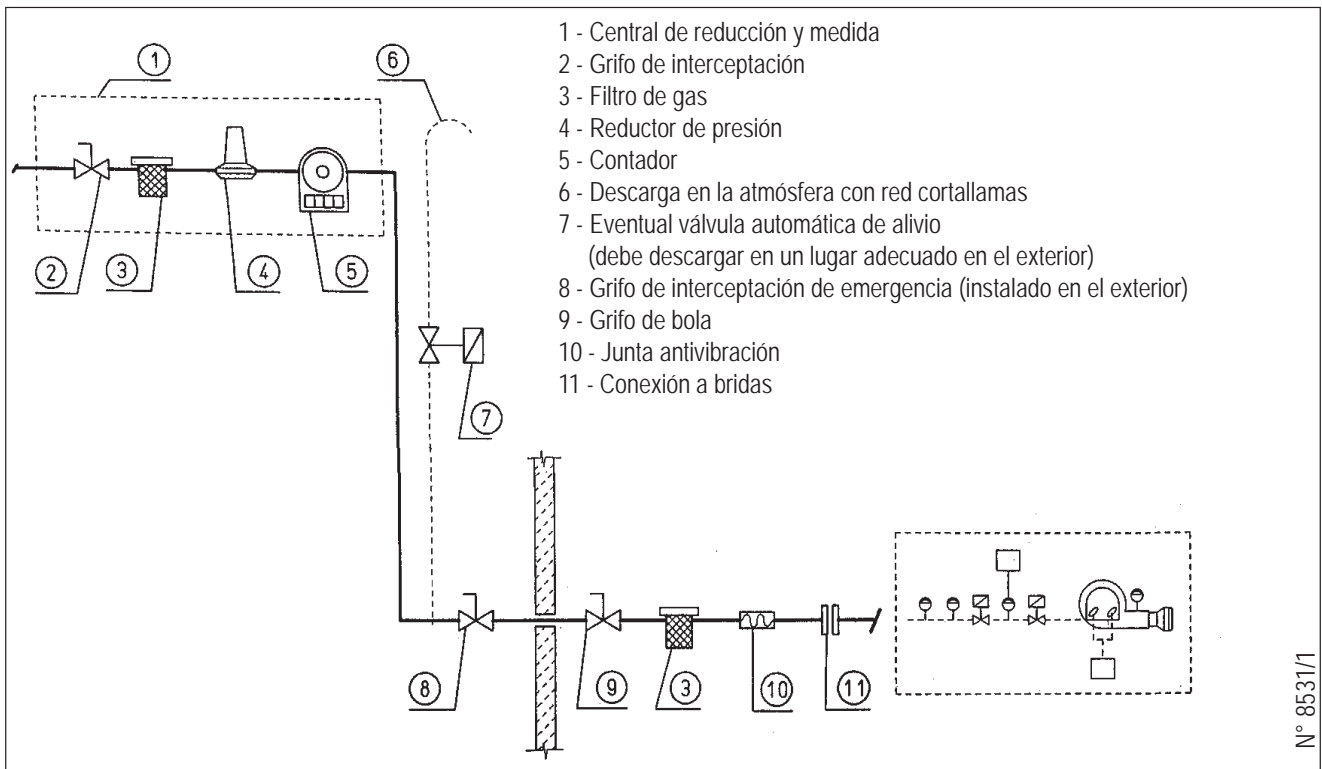
Se aconseja realizar todas las conexiones con hilo eléctrico flexible. Las líneas eléctricas se deben colocar lejos de las piezas calientes. Asegúrese de que la línea eléctrica a la cual se vaya a conectar el equipo reciba una tensión y una frecuencia adecuadas para el quemador. Asegúrese de que la línea principal, el interruptor con fusibles (indispensable) y el limitador, en caso de que se utilice, sean adecuados para soportar la corriente máxima absorbida por el quemador.

Para obtener información más detallada, consulte los esquemas eléctricos específicos para cada quemador.

ESQUEMA DE PRINCIPIO PARA LA CONEXIÓN DE MÁS DE UN QUEMADOR A LA RED DE GAS A MEDIA PRESIÓN



ESQUEMA DE PRINCIPIO PARA LA CONEXIÓN DE UN QUEMADOR A LA RED DE GAS A MEDIA PRESIÓN



EQUIPO DE ALIMENTACIÓN CON COMBUSTIBLE (GASÓLEO)

La bomba del quemador debe recibir el combustible de un circuito de alimentación adecuado con una bomba auxiliar que disponga de un regulador de presión regulable de 0,5 a 3 bar. En este caso, el valor de la presión de alimentación del combustible en la bomba del quemador (0,5 ÷ 3 bar) se debe mantener invariable tanto si el quemador está cerrado como si está funcionando, con el nivel máximo de suministro de combustible que exija la calera. Normalmente, este circuito se puede realizar sin ningún regulador de presión, utilizando el esquema indicado a continuación. El circuito de alimentación se debe realizar de acuerdo con el esquema 8666/3.

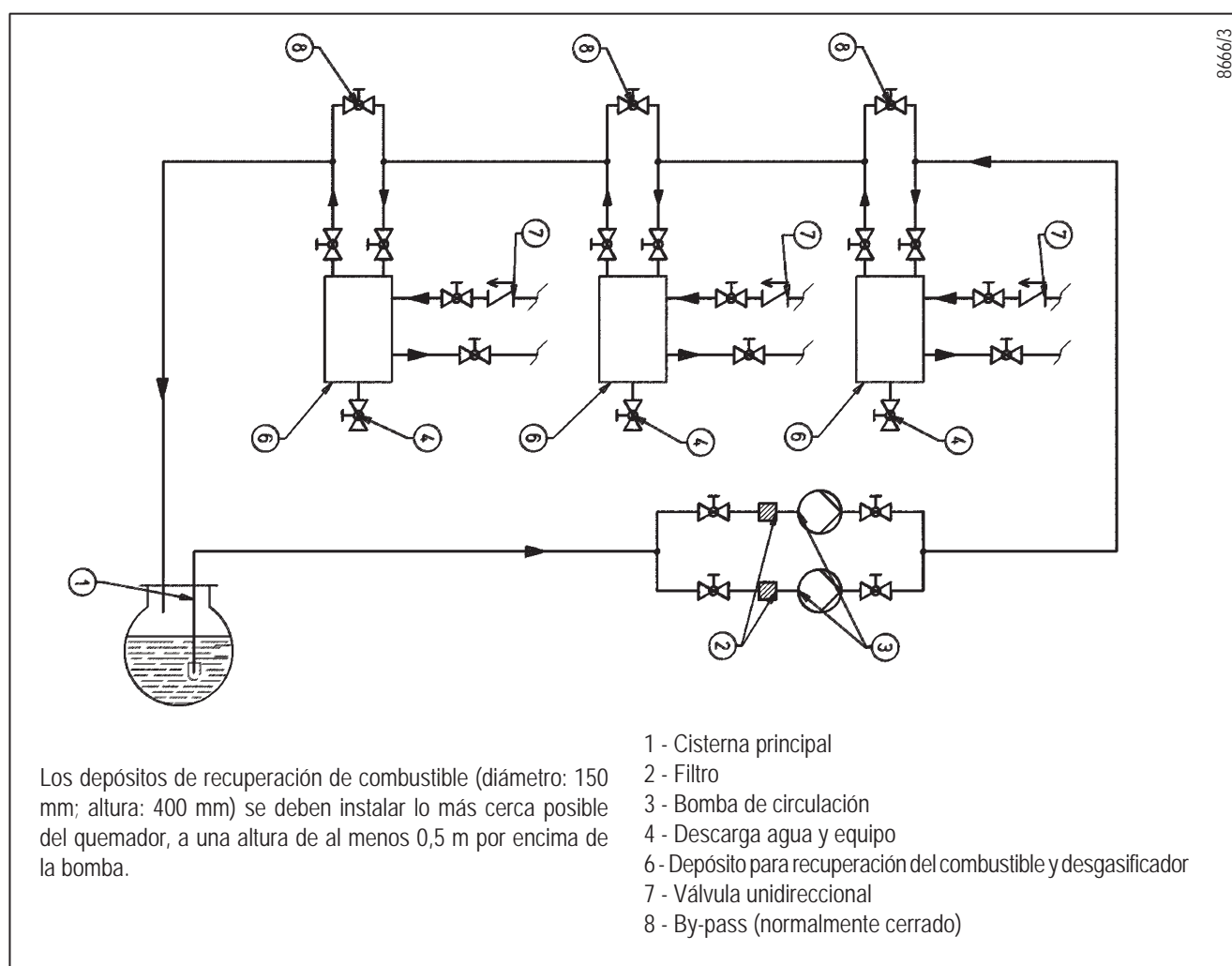
La dimensión de las tuberías se deberá determinar en función de la longitud de las mismas y del caudal de la bomba utilizada. Nuestras disposiciones sólo hacen referencia a los aspectos necesarios para garantizar un buen funcionamiento.

Las prescripciones que se deben observar para cumplir con las normativas anti-emisiones y con las disposiciones establecidas por las autoridades locales, se podrán consultar en las publicaciones específicas vigentes.

INDICACIONES SOBRE EL ENCENDIDO DE UN QUEMADOR MIXTO

Se aconseja encender el quemador por primera vez con combustible líquido, puesto que el suministro está condicionado, en este caso, por la tobera disponible, mientras que el suministro de gas metano se puede modificar según las preferencias a través del regulador de caudal.

ESQUEMA HIDRÁULICO DE PRINCIPIO ALIMENTACIÓN PARA UNO O MÁS QUEMADORES EN DOS ETAPAS O MODULANTES DE GASÓLEO CON VISCOSIDAD NOMINAL MÁXIMA (5° E A 50° C)



MONTAJE DE LA RAMPA DE GAS

La rampa de gas está homologada según la normativa EN 676 y se proporciona por separado del quemador.

El montaje de la rampa de gas se puede realizar utilizando distintas soluciones: A Y B. Seleccione la posición más racional en función de la disposición del local de la caldera y la posición de llegada de la tubería del gas.

MONTAJE GRUPO BISAGRA

El quemador cuenta con bisagra de apertura ambidiestra, por lo tanto es posible invertir el lado de apertura del cuerpo de ventilación. El quemador viene suministrado con bisagra montada en el lado derecho. Para permitir la máxima apertura y así facilitar las operaciones de mantenimiento, se recomienda colocar la bisagra en el lado opuesto del quemador con respecto a la posición donde se encuentra instalada la rampa del gas.

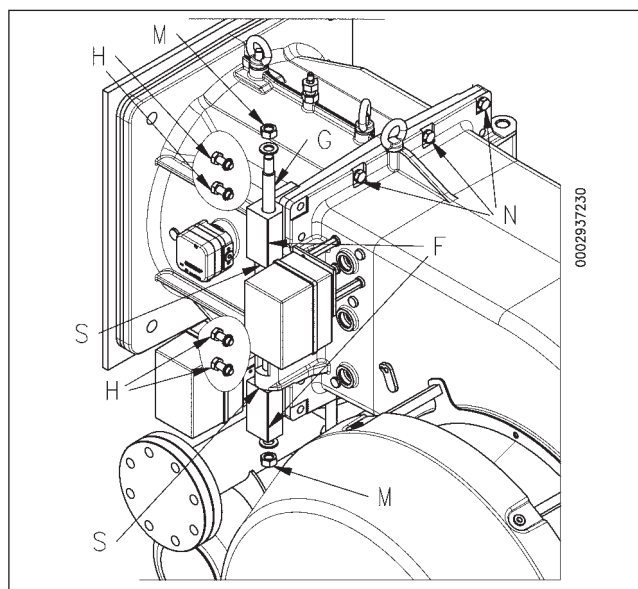
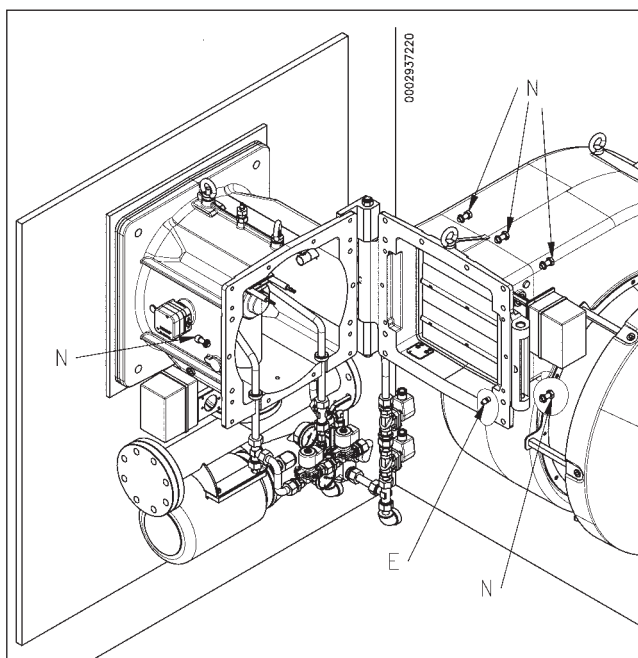
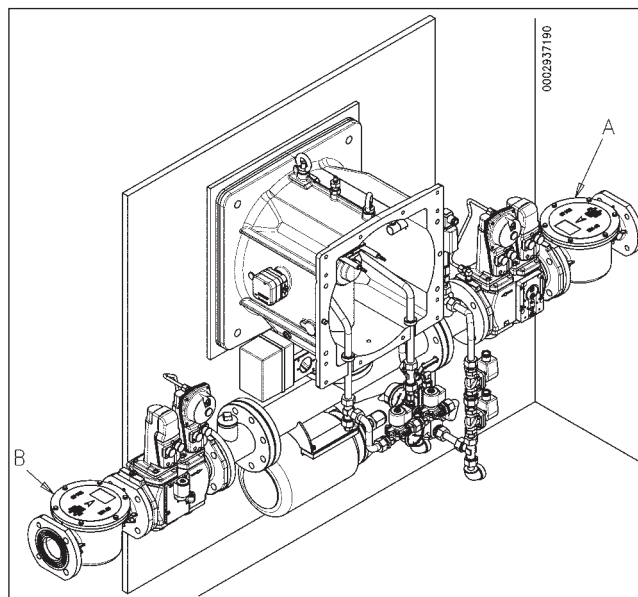
Si fuera necesario montar la bisagra en el lado izquierdo, seguir el procedimiento descrito a continuación:

- Tras haber instalado el quemador en la caldera, desatornillar los tornillos de fijación N y abrir el cuerpo de ventilación cuanto sea necesario para quitar el perno de centrado E (0002937220).
- Cerrar nuevamente el quemador ajustando los tornillos N y dismantlar las dos bisagras F y el perno G.
- Luego quitar los 3 tornillos N y sus relativas arandelas presentes a la izquierda de la brida y volver a montarlos por el lado derecho, en correspondencia con los orificios dejados libres tras haber quitado las bisagras.
- Ensamblar el grupo bisagra por el lado izquierdo del quemador (0002937230).

! Las dos bisagras F inicialmente van colocadas sin ajustar completamente los 4 tornillos H. Es necesario controlar antes que las superficies S de tope de las dos bisagras estén perfectamente en contacto con las superficies correspondientes de la tuerca de husillo. Para esto, primero atornillar las 2 tuercas M con sus relativas arandelas. Evitar un ajuste excesivo de las tuercas ya que esto podría causar dificultad en la rotación de la bisagra. Completar la operación realizando el ajuste final de los tornillos H.

- Abrir nuevamente el cuerpo de ventilación para controlar que el grupo bisagra gire correctamente y volver a montar el perno de centrado E por el lado de la brida del ventilador opuesto al de la bisagra, para facilitar el cierre del quemador.

! Cada vez que sea necesario abrir el quemador, antes se deben desconectar los conectores del servomotor mariposa gas, del regulador de presión gasóleo, de las electroválvulas gas y las del circuito del gasóleo.

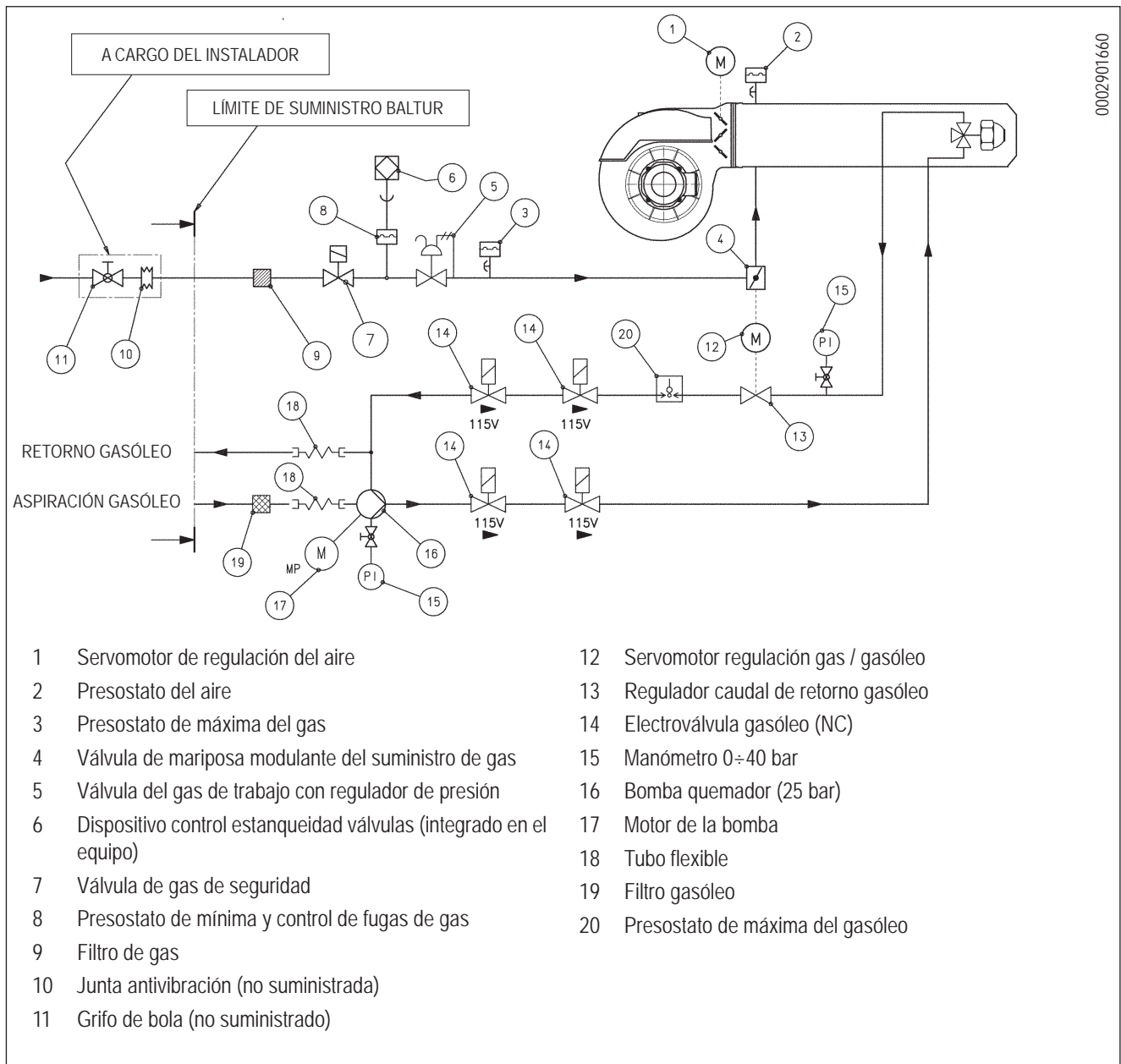




ESQUEMA DE PRINCIPIO DE LA RAMPA DE GAS

! Antes de la válvula de gas, se debe instalar una válvula de interceptación manual y una junta antivibración, dispuestas según lo indicado en el esquema de principio.

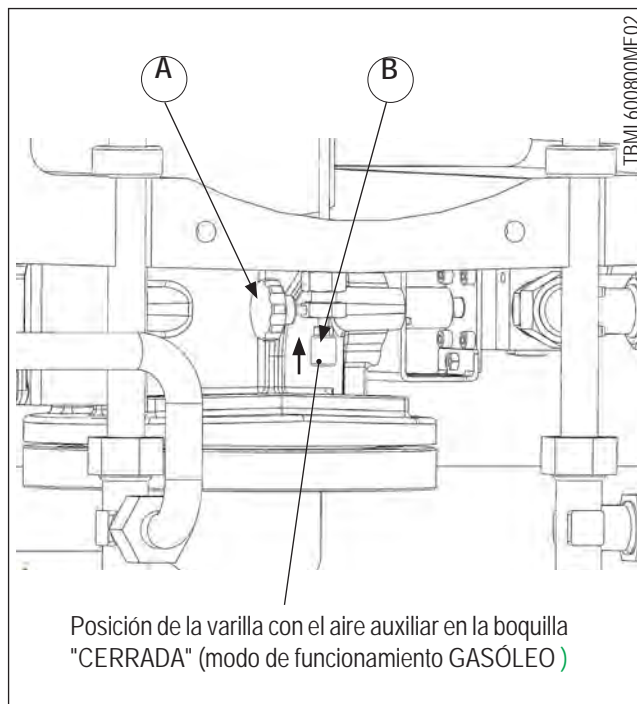
Para conseguir un funcionamiento óptimo del regulador de presión, deberá colocarlo en tuberías horizontales después del filtro. El regulador de presión del gas se debe regular mientras funciona con el máximo caudal efectivo utilizado por el quemador. La presión de salida se debe regular a un valor ligeramente inferior a la máxima posible (la presión que se obtiene atornillando casi hasta el final los tornillos de regulación). Si aprieta los tornillos de regulación, la presión de salida del regulador aumentará, y si los afloja, disminuirá.



ESPAÑOL

ENCENDIDO Y REGULACIÓN A GASÓLEO

- Coloque el interruptor, situado en el cuadro de mando, en la posición "O" (abierto).
- Coloque el selector "cambio combustible" en la posición "OIL".
- Cerrar el aire auxiliar en el cabezal desatornillando el trinquete (A) y tirando de la varilla (B) hacia abajo hasta que haga tope. Volver a atornillar el trinquete (A).
- Cierre las compuertas y abra los puntos de interceptación.
- Compruebe que haya agua en la caldera y que las compuertas de la instalación estén abiertas.
- Cerciórese de que la descarga de los productos de la combustión se pueda producir libremente (válvulas de la caldera y de la chimenea abiertas).
- Verifique que la tensión de la línea eléctrica a la cual se deba conectar se corresponda con la tensión que especifica el constructor y que las conexiones eléctricas del motor sean correctas para la tensión disponible. Verifique también que todas las conexiones eléctricas realizadas en el lugar sean correctas como muestra nuestro esquema eléctrico.
- Ponga en funcionamiento el circuito auxiliar de alimentación del combustible, verifique la eficiencia y regule la presión a 0,5÷3 bar aproximadamente, si el circuito dispone de regulador de presión.
- Extraiga de la bomba el tapón de sujeción del vacuómetro y abra ligeramente el cierre del tubo de llegada del combustible. Espere a que el combustible salga por el orificio sin burbujas de aire y después vuelva a cerrar el cierre. Si no hubiera un circuito de alimentación en presión, llene la bomba introduciendo combustible en el tubo flexible de alimentación.
- Aplique un manómetro (fondo escala de unos 4 bar) en el punto de conexión del vacuómetro de la bomba para controlar el valor de la presión de llegada del combustible a la bomba del quemador. La presión del combustible debe permanecer entre los 0,5÷3 bar, incluso con el quemador apagado.
- Abra las compuertas situadas en las tuberías del gasóleo.
- Suministre corriente a la línea eléctrica donde el quemador está conectado. Verifique que los motores del ventilador y de la bomba giren en el sentido correcto pulsando manualmente los telerruptores correspondientes y, si fuera necesario, invertir los dos cables de la línea principal para cambiar el sentido de la rotación.
- Ponga en funcionamiento la bomba del quemador pulsando manualmente el telerruptor pertinente hasta que el manómetro que indica la presión de trabajo de la bomba muestre una ligera presión. Un nivel bajo de presión en el circuito confirma el rellenado.
- Introduzca (pos. I) el interruptor (1) del cuadro de mando para dar corriente al equipo y cerrar la línea termostática colocando el selector (2) en posición "cerrada". Si los termostatos o presostatos (seguridad y caldera) están cerrados, se inicia el ciclo de funcionamiento. El equipo se enciende. Para la regulación del quemador, consultar la "GUÍA RÁPIDA PARA LA PROGRAMACIÓN" y el manual de instrucciones específico para la leva electrónica "BT 340".



Posición de la varilla con el aire auxiliar en la boquilla "CERRADA" (modo de funcionamiento GASÓLEO)



- Verificar la intervención del sensor de llama.
- SENSOR LLAMA

Si la detección de la llama viene realizada con fotocélula UV y será necesario considerar cuanto ha sido explicado. Una leve untuosidad compromete fuertemente el pasaje de las radiaciones luminosas, impidiendo que el elemento sensible interno reciba la cantidad de radiaciones necesarias para un correcto funcionamiento. Si se ensucia el bulbo es indispensable limpiarlo en modo adecuado. Aún el simple contacto con los dedos puede dejar una leve untuosidad que será suficiente para comprometer el funcionamiento de la fotocélula. La célula no "ve" la luz del día o la de una lámpara común. Un eventual control de sensibilidad puede realizarse con una llama (de encendedor o vela). Para asegurar un correcto funcionamiento, el valor de corriente de la célula debe ser lo suficientemente estable y no descender a menos del valor mínimo requerido por el equipo específico. El control se realiza entre los bornes del cuadro eléctrico indicados en el esquema eléctrico.

- Cuando el quemador está funcionando al "mínimo", se debe regular el aire y el gasóleo en las cantidades necesarias para asegurar una buena combustión.
- Tras haber regulado el aire en "mínimo" aumentar la potencia y definir la curva de trabajo como indica el manual del equipo. Recomendamos realizar el control de la combustión con el instrumento dedicado en todos los puntos intermedios de la curva de modulación. El suministro máximo se obtiene cuando la presión de retorno es de aproximadamente 17 - 18 bar con presión en la bomba de 25 bar (0002922840 ctp. 15). No recomendamos superar el valor del 13 % di CO₂ en los humos.

TOBERA FLUIDICS SIN AGUJA

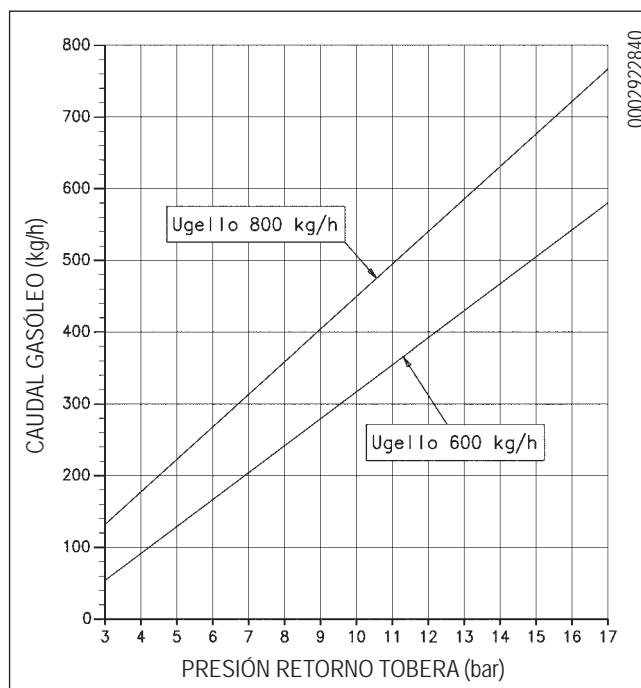
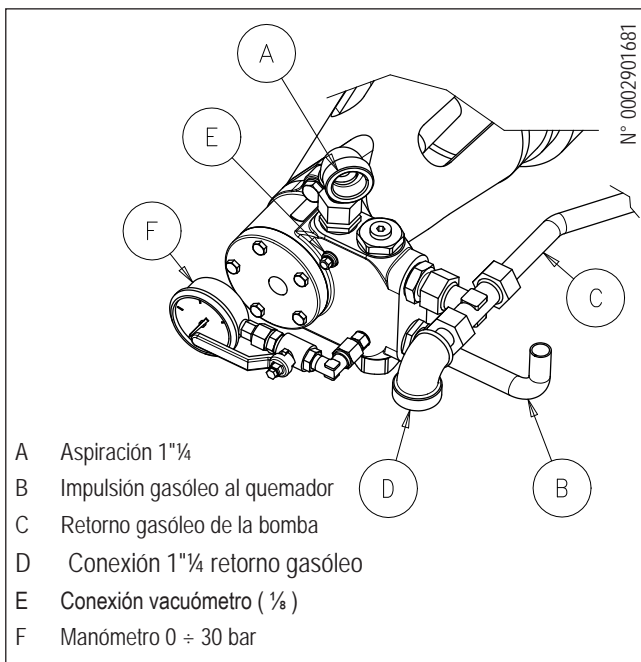
Para el funcionamiento con gasóleo, utilizar toberas modelo FLUIDICS N2 45° sin aguja de 600 kg/h o de 800 kg/h en base al caudal térmico máximo regulado.

En el gráfico 0002922840 se representan las curvas que muestran los valores del caudal de combustible suministrado por las dos

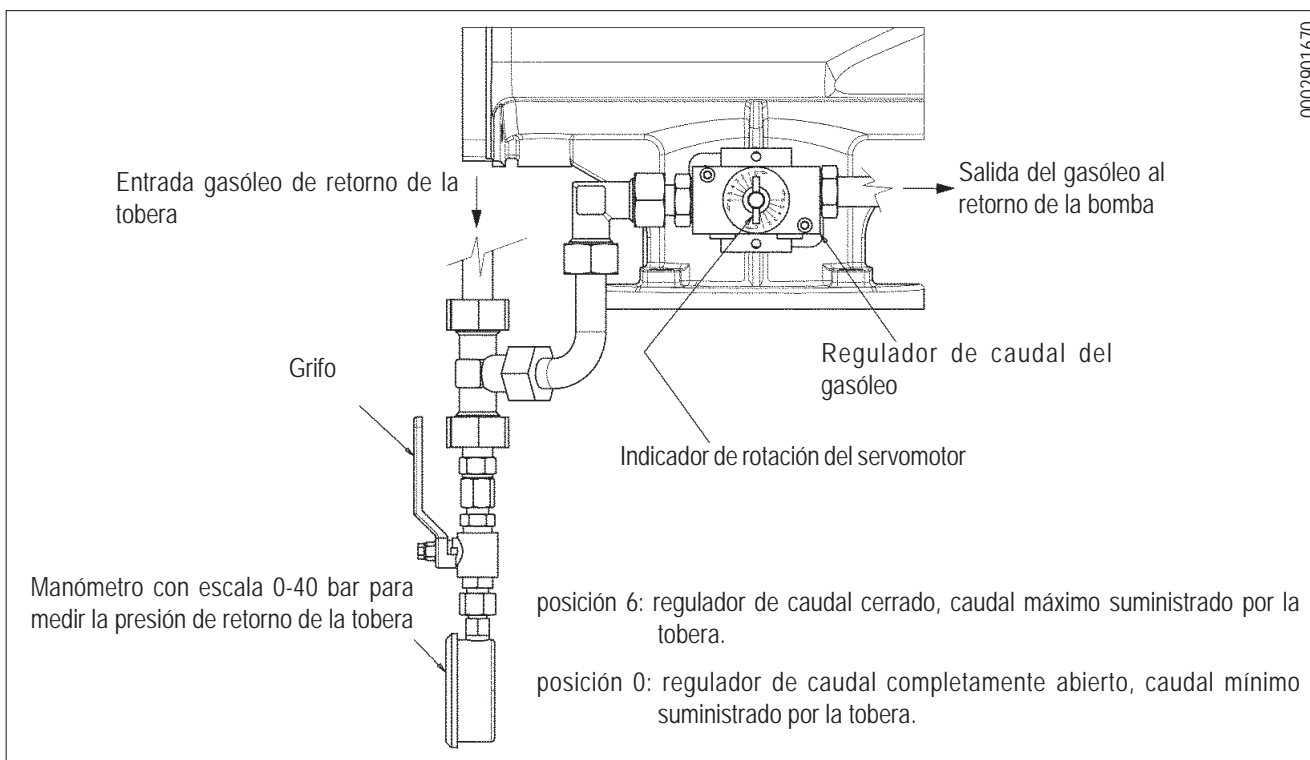
toberas en base a la presión de retorno. Las curvas se han obtenido considerando una presión de regulación de la bomba de gasóleo de 25 bar.

El valor de la presión de retorno va detectado en el manómetro con escala 0-40 bar del esquema 0002901670.

ESQUEMA DE CONEXIÓN BOMBA HP MODELO VBH

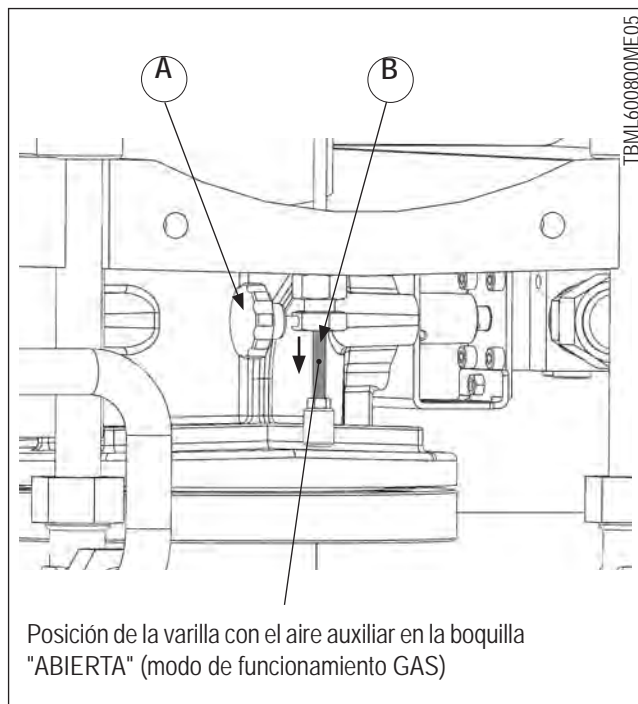


ESQUEMA DE CONEXIÓN DEL REGULADOR DE CAUDAL

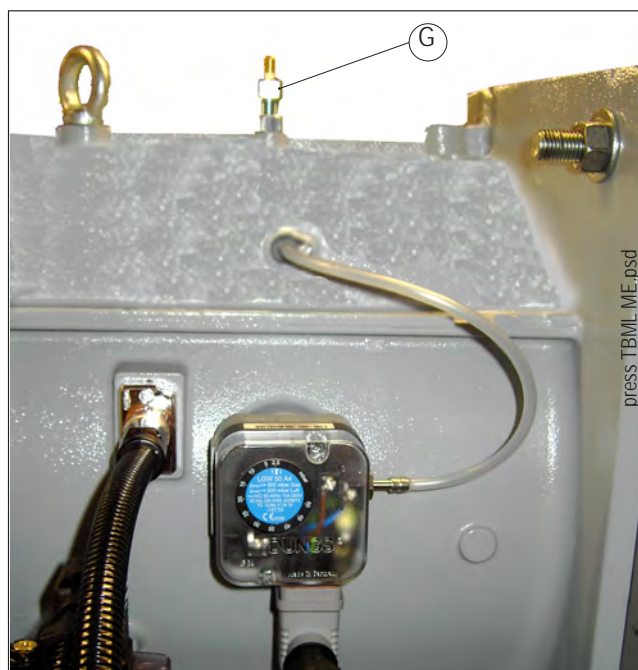


ENCENDIDO Y REGULACIÓN CON GAS (METANO)

- Coloque el interruptor, situado en el cuadro de mando, en la posición "O" (abierto).
- Coloque el selector "cambio combustible" en la posición "GAS".
- Abra el aire auxiliar en el cabezal desatornillando el trinquete (A) y tirando de la varilla (B) hacia abajo hasta que haga tope. Volver a atornillar el trinquete (A).
- Cierre la compuerta y abra los puntos de interceptación.
- **Compruebe que haya agua en la caldera y que las compuertas de la instalación estén abiertas.**
- **Cerciórese de que la descarga de los productos de la combustión se pueda producir libremente (válvulas de la caldera y de la chimenea abiertas).**
- Compruebe que la tensión de la línea eléctrica a la cual se deba conectar se corresponda con las necesidades del quemador y que las conexiones eléctricas (motor o línea principal) estén configuradas para el valor de tensión disponible. Verifique que todas las conexiones eléctricas realizadas en el lugar sean correctas como muestra nuestro esquema eléctrico.
- Salvo que ya se haya realizado durante la conexión del quemador a la tubería del gas, tomando las precauciones oportunas y con las puertas y ventanas abiertas, es indispensable purgar el aire que contienen las tuberías. Para ello, abra el conducto de la tubería más cercana al quemador y, a continuación, abra un poco el o los grifos de interceptación del gas. Espere hasta que perciba el olor característico del gas y cierre el grifo. Espere el tiempo que considere suficiente en función de las condiciones específicas del lugar hasta que el gas presente en el local se haya dispersado al exterior y, a continuación, conecte el quemador a la tubería del gas.
- Utilice un manómetro con la escala adecuada (si la entidad de la presión prevista lo permite, es preferible utilizar un instrumento con columna de agua; no utilice instrumentos con punteros si la presión es moderada) a la toma de presión prevista en el presostato del gas.
- Con el interruptor del cuadro de control en la posición "O" y el interruptor general accionado, verificar, cerrando manualmente el telerruptor, que el motor gire en el sentido correcto; si es necesario, cambiar de posición dos cables de la línea que alimenta el motor para invertir el sentido de la rotación.
- Introduzca (pos. 1) el interruptor (1) del cuadro de mando para dar corriente al equipo y cerrar la línea termostática colocando el selector (2) en posición "cerrada". Si los termostatos o presostatos (seguridad y caldera) están cerrados, se inicia el ciclo de funcionamiento. El equipo se enciende. Para la regulación del quemador, consultar la "GUÍA RÁPIDA PARA LA PROGRAMACIÓN" y el manual de instrucciones específico para la leva electrónica "BT 340".
- Verifique la intervención del detector de llama (célula UV) con quemador ya encendido, extraerla de su sede en el quemador y verificar que se detenga en "bloqueo".
- Compruebe la eficiencia de los termostatos o presostatos de la caldera (la intervención deberá detener el quemador).



Posición de la varilla con el aire auxiliar en la boquilla "ABIERTA" (modo de funcionamiento GAS)





• **SENSOR LLAMA**

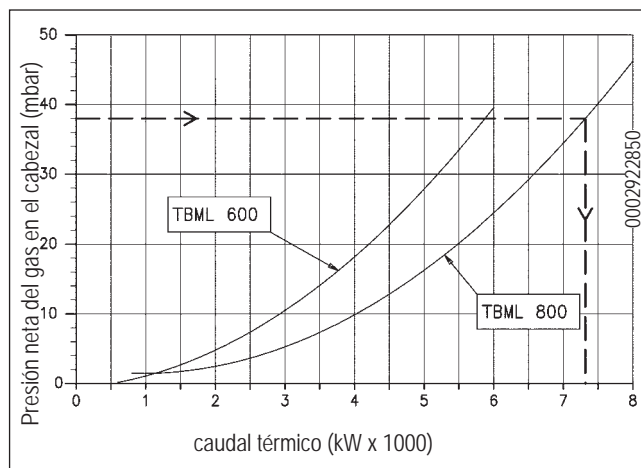
Si la detección de la llama se realiza con fotocélula UV y será necesario considerar cuanto ha sido explicado. Una leve entusidad compromete fuertemente el pasaje de las radiaciones luminosas, impidiendo que el elemento sensible interno reciba la cantidad de radiaciones necesarias para un correcto funcionamiento. Si se ensucia el bulbo es indispensable limpiarlo en modo adecuado. Aún el simple contacto con los dedos puede dejar una leve entusidad que será suficiente para comprometer el funcionamiento de la fotocélula. La célula no "ve" la luz del día o la de una lámpara común. Un eventual control de sensibilidad puede realizarse con una llama (de encendedor o vela). Para asegurar un correcto funcionamiento, el valor de corriente de la célula debe ser lo suficientemente estable y no descender a menos del valor mínimo requerido por el equipo específico. El control se realiza entre los bornes del cuadro eléctrico indicados en el esquema eléctrico.

- Cuando el quemador está funcionando al "mínimo", se debe regular el aire y el gasóleo en las cantidades necesarias para asegurar una buena combustión.
- Tras haber regulado el aire en "mínimo" aumentar la potencia y definir la curva de trabajo como indica el manual del equipo. Recomendamos realizar el control de la combustión con el instrumento dedicado en todos los puntos intermedios de la curva de modulación.
- Una vez finalizada la regulación del aire y del gas, verifique el caudal de gas efectivamente suministrado mediante la lectura del contador. Evite mantener en funcionamiento el quemador si el caudal térmico quemado es superior al máximo permitido para la caldera, para no dañarla. Durante la fase de definición de la curva de modulación, es posible contar con una estimación aproximada del caudal térmico suministrado en los puntos intermedios mediante la medición de la presión neta del gas en el cabezal de combustión. Conectar un manómetro con escala adecuada a la toma de presión (G) (ver foto) y medir la presión del gas. Del gráfico (0002922850 ctp. 17) tomar el caudal térmico erogado en función del valor de la presión medida con el valor neto de la contra presión del hogar.

! El método ilustrado permite realizar solo una estimación aproximada del caudal térmico quemado, leer el contador del gas para obtener una medida más exacta.

Ejemplo:

- Quemador TBML 800
- Presión medida en la toma G: Ptc=48 mbar
- Contrapresión medida en la cámara de combustión: Pcc=10 mbar
- Valor de presión en el cabezal al valor neto de la contrapresión en la cámara de combustión: $P=48-10=38$ mbar
- En el gráfico se ve que en correspondencia con la presión $P=38$ mbar, el caudal térmico quemado es de aproximadamente 7300 kW.



- 1 Interruptor general ENCENDIDO-APAGADO
- 2 Interruptor línea termostática
- 3 Pantalla BT 340
- 4 Indicador de bloqueo del equipo
- 5 Indicador de presencia tensión
- 6 Bloque ventilador si previsto
- 7 Indicador de funcionamiento gas
- 8 Indicador de funcionamiento gasóleo
- 9 Bloque motor de la bomba
- 10 Selector combustible (gas / gasóleo)

synoptic_TBML 800 ME

DESCRIPCIÓN DEL FUNCIONAMIENTO DEL PRESOSTATO AIRE

El presostato del aire tiene la función de mantener seguro (bloqueado) el equipo si la presión del aire no es la prevista. Por consiguiente, se debe regular para que intervenga cuando la presión del aire en el quemador alcanza el valor suficiente.

Para comprobar el funcionamiento correcto del control de presión del aire se debe aumentar, con el quemador con el suministro mínimo, el valor de regulación hasta comprobar la intervención con la que se debe obtener la parada inmediata en la posición de "bloqueo" del quemador. Desbloquee el quemador pulsando el botón correspondiente y regule el control de la presión a un valor que sea suficiente para proporcionar la presión del aire existente durante las fases iniciales de preventilación.

DESCRIPCIÓN DEL FUNCIONAMIENTO DEL PRESOSTATO GAS

Los presostatos de control de la presión del gas (mínima y máxima) sirven para impedir que el quemador funcione cuando la presión del gas no se encuentra dentro de los límites previstos. De la función específica de los presostatos resulta evidente que el presostato de control de la presión mínima utiliza el contacto NO (normalmente abierto) que se encuentra cerrado cuando el presostato detecta una presión superior al límite fijado, mientras que el presostato de máxima deberá utilizar el contacto NC (normalmente cerrado) que se encuentra cerrado cuando el presostato detecta una presión inferior al límite fijado. La regulación de los presostatos de presión mínima y máxima de gas se deberá realizar, por lo tanto, durante la verificación del quemador en función de la presión que se detectará cada vez. Los presostatos resultan conectados de modo que la intervención (o sea la abertura del circuito) del presostato de máxima determine inmediatamente el bloqueo del quemador; mientras que con la intervención del presostato de mínima el quemador deja de funcionar y permanece en stand-by hasta que la presión no vuelve dentro de los valores necesarios para el funcionamiento. Entonces el quemador se pone en marcha automáticamente con la secuencia de encendido.

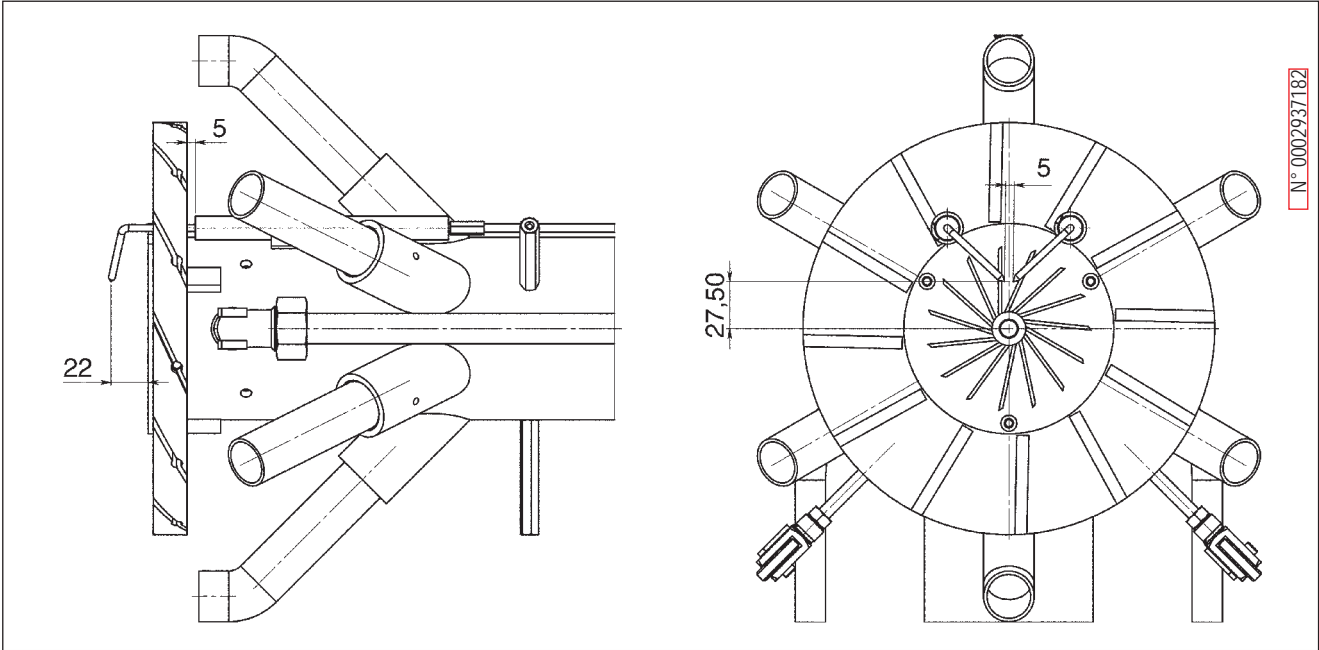
Regulación antes del encendido del quemador: regular el presostato de mínima al mínimo de la escala, regular el presostato de máxima al máximo de la escala. Regulación tras la calibración del quemador: Con el quemador al máximo del suministro, regular el presostato de mínima aumentando el valor de calibrado hasta que el quemador se apague, leer el valor en el anillo de regulación y regularlo disminuido de 5 mbar. Con el quemador al mínimo, regular el presostato de máxima disminuyendo el valor de calibración hasta que el contacto NC (normalmente cerrado) se abra. Leer el valor en el anillo de regulación y regularlo aumentado de 5 mbar.



Si en la rampa gas se encuentra montado un solo presostato, este será de mínima.



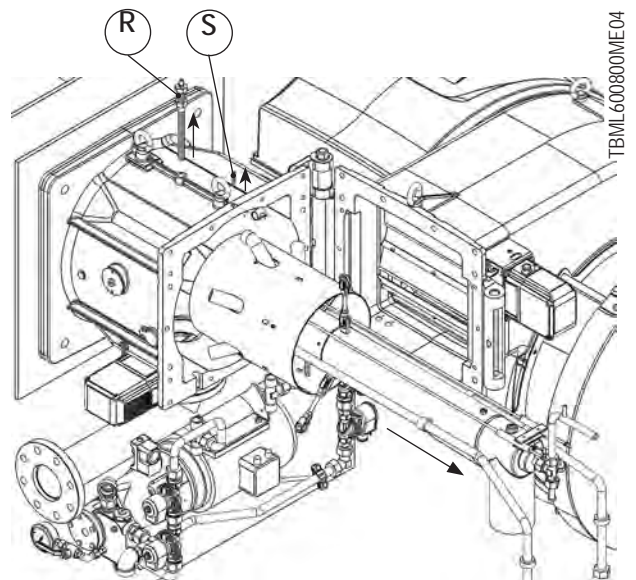
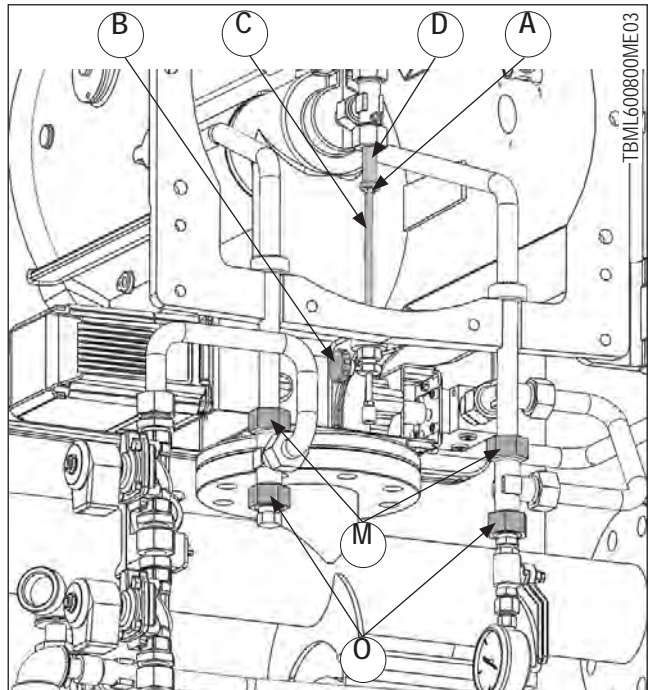
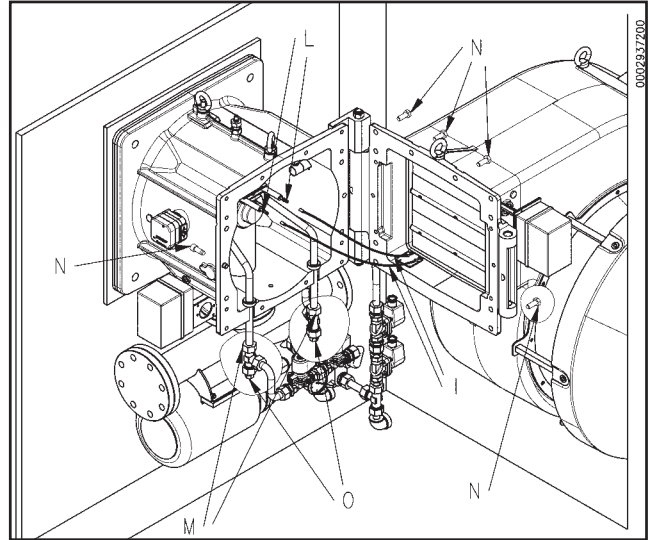
ESQUEMA DE REGULACIÓN DE LA CABEZA DE COMBUSTIÓN Y LA DISTANCIA DEL DISCO DE ELECTRODOS



MANTENIMIENTO

El quemador no necesita ningún mantenimiento concreto; no obstante, conviene llevar a cabo al menos los siguientes procedimientos al final de la temporada de calefacción.

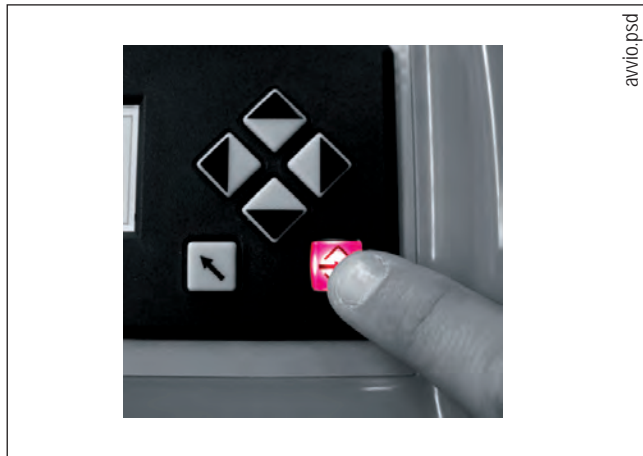
- Limpiar la compuerta del aire, el presostato del aire con toma de presión y el relativo tubo.
- Limpiar la fotocélula.
- Si fuera necesario, hacer limpiar la caldera y la chimenea por personal especializado (fumista); una caldera limpia tiene un mayor rendimiento y duración, y es mucho más silenciosa.
- Para los quemadores de gas controlar periódicamente que el filtro del gas esté limpio.
- Para la limpieza de la cabeza de combustión, es necesario desmontar la boca y sus componentes. Al volver a montar se debe prestar atención a centrar exactamente la cabeza de salida gas con respecto a los electrodos para evitar que éstos estén a masa con el consiguiente bloqueo del quemador. Una vez regulados los dos electrodos como se indica en el esquema 0002937182 comprobar que la chispa de encendido ocurra sólo entre las puntas de los electrodos.
- Realice un análisis del gas de purga de la combustión comprobando que los valores de las emisiones sean correctos.
- Compruebe que todos los componentes de la cabeza de combustión estén en buen estado, no presenten deformaciones causadas por la temperatura ni impurezas o sedimentos causados por el entorno de la instalación o por una mala combustión. En caso de que considere necesario limpiar la cabeza de combustión, extraiga los componentes siguiendo el procedimiento que se describe a continuación:
 - extraer la fotocélula UV
 - Desconecte los conectores de las electroválvulas gas y gasóleo, el servomotor gas y el regulador de presión.
 - Afloje los tornillos de fijación (N) y abra el cuerpo de ventilación;
 - Extraiga los cables de encendido (I) de los respectivos terminales de los electrodos de encendido (L);
 - Afloje las tapas (O), una de las cuales está equipada con el manómetro que indica la presión en el circuito de retorno, para vaciar el gasóleo residual dentro del grupo pulverizador. Desconecte los tubos de conexión al grupo desatornillando las tuercas (M) de las uniones en "T".
 - Aflojar la tuerca (A) y el trinquete (B) girar la varilla (C) para desenroscarla del pistón (D) y seguidamente sacarla completamente del cuerpo del quemador.
 - aflojar el tornillo (R) y el tornillo (S) del colector de aire (P)
 - Extraiga todo el grupo de mezcla en la dirección indicada por la flecha. Una vez efectuadas las operaciones de mantenimiento vuelva a montar la cabeza de combustión siguiendo los puntos anteriores en orden inverso después de haber verificado la posición correcta de los electrodos de encendido (0002937182 crp. 19).



USO DEL QUEMADOR

El quemador tiene un funcionamiento completamente automático; al cerrar el interruptor general y el del cuadro de control se introduce el quemador. El funcionamiento del quemador está controlado por unos dispositivos de control que se explican en el capítulo "Descripción del funcionamiento". La posición de "bloqueo" es una posición de seguridad en la que se queda automáticamente el quemador cuando un quemador en concreto, o el equipo, no es eficiente y, por consiguiente, conviene comprobar, antes de introducir de nuevo el quemador "desbloqueándolo", que no hay anomalías en la central térmica. El quemador puede permanecer en la posición de bloqueo sin ningún límite de tiempo. Para desbloquear se debe pulsar el botón rojo intermitente en la pantalla del equipo BT 340 (botón "INTRO").

Los bloqueos pueden acaecer incluso debido a irregularidades transitorias; en estos casos, al desbloquearse el quemador se vuelve a poner en marcha automáticamente. Si, en cambio, los bloqueos se repiten sucesivamente (3 o 4 veces), no se debe insistir y, después de controlar que el combustible llega al quemador, se debe solicitar la intervención del Servicio técnico local que solucionará el problema.



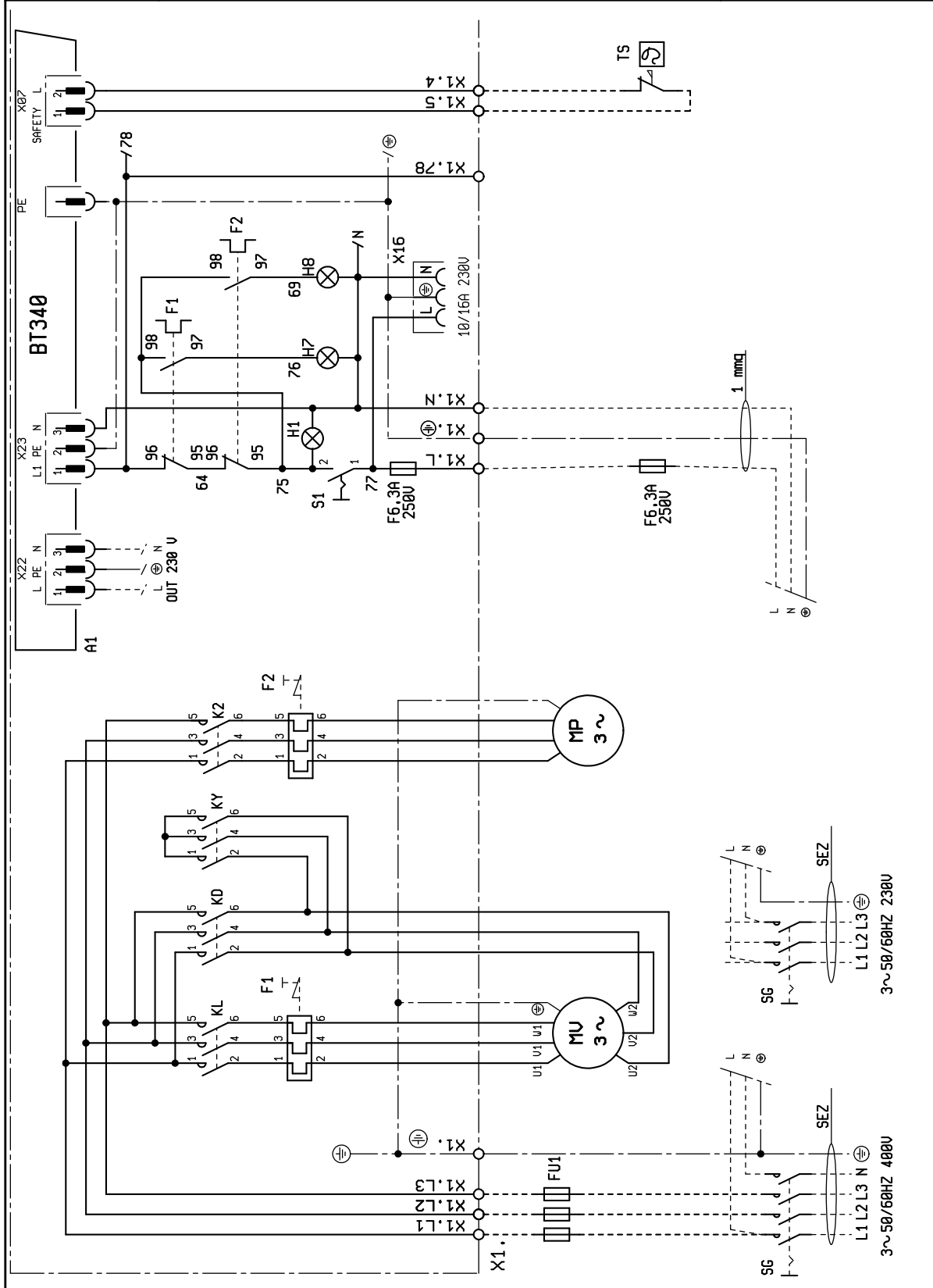
avvio.psd

ESQUEMA ELÉCTRICO

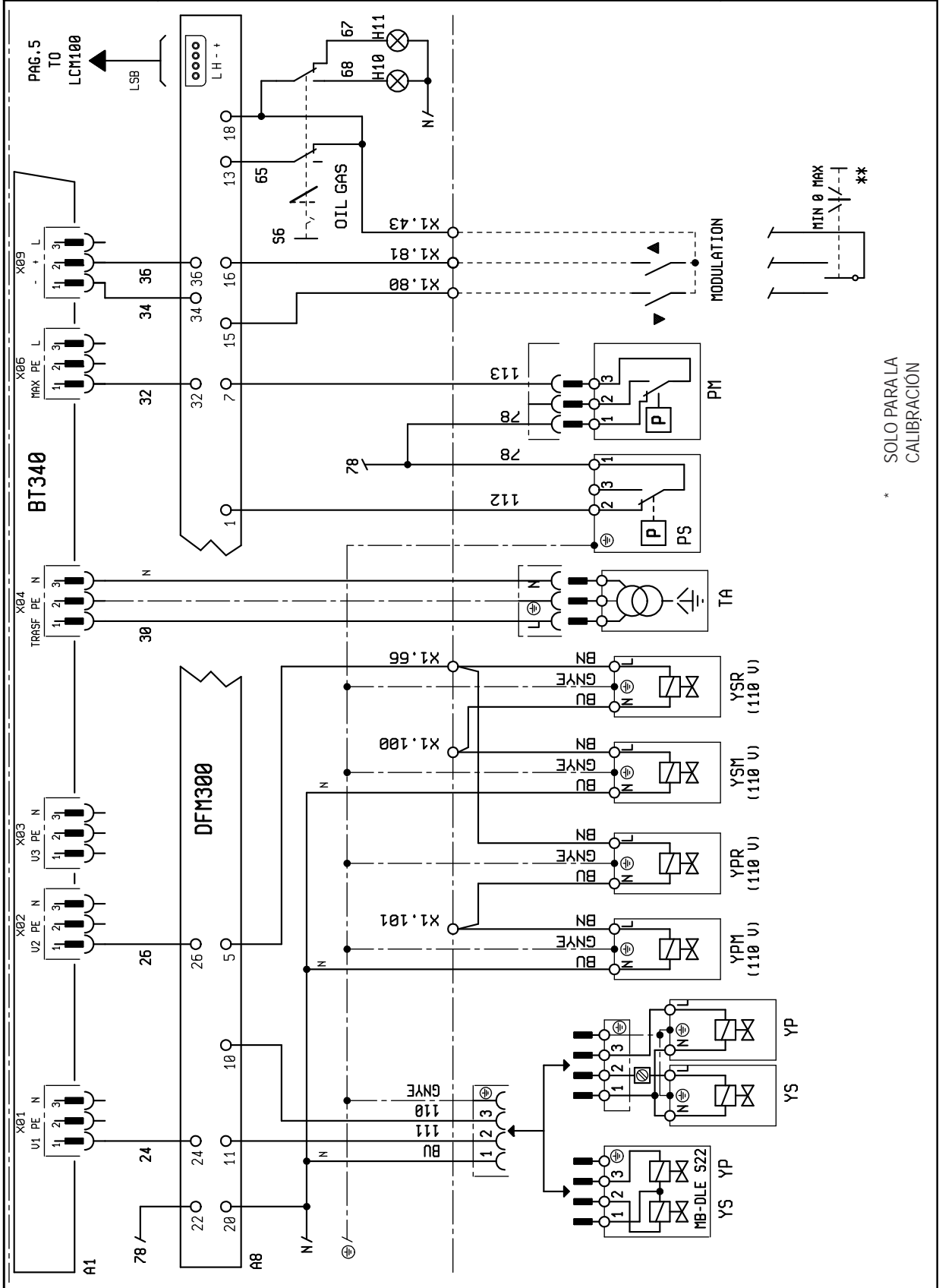
baltur
CENTO (FE)

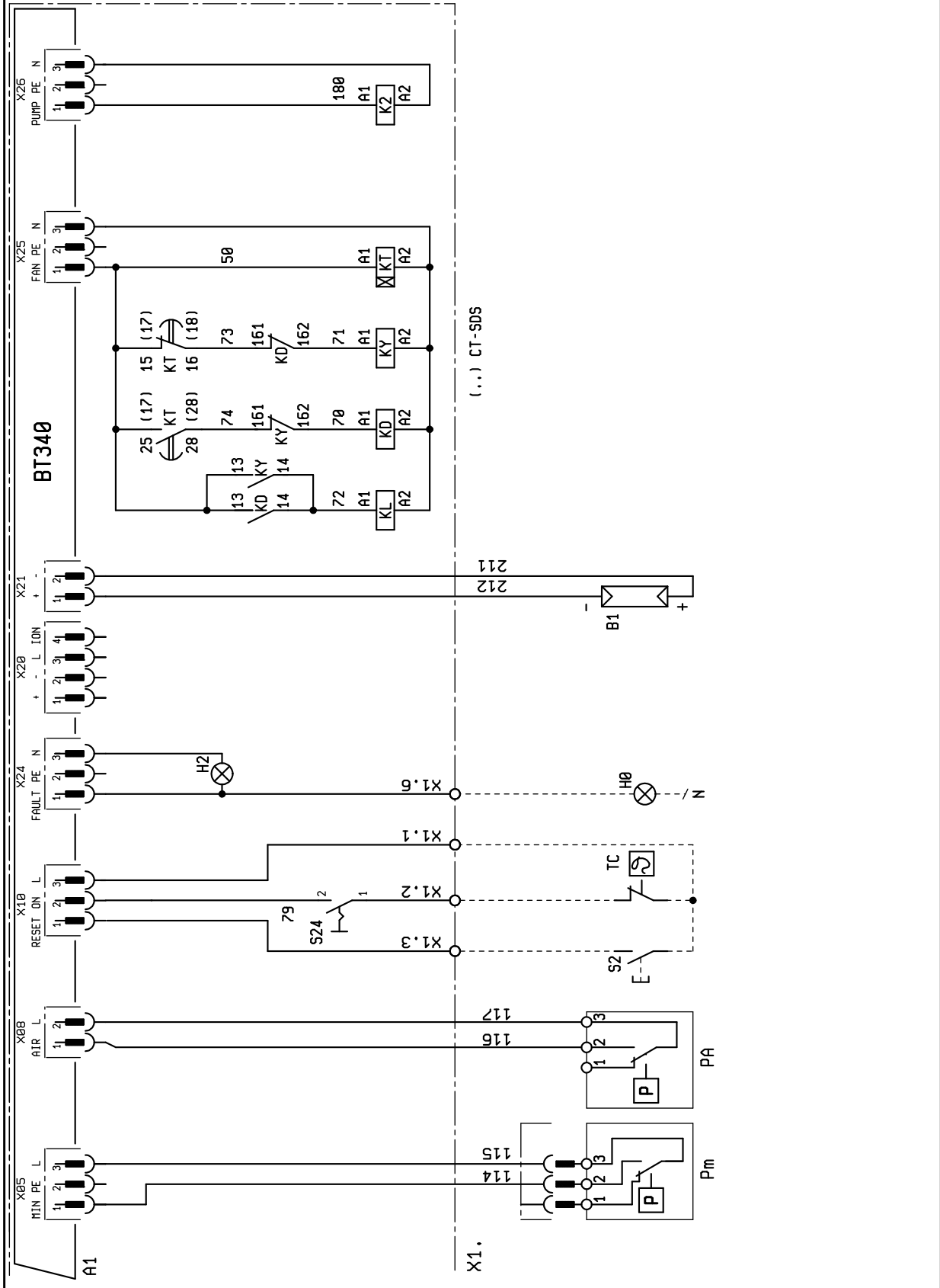
SCHEMA ELETTRICO TBML 600-800 ME
ELECTRIC DIAGRAM TBML 600-800 ME

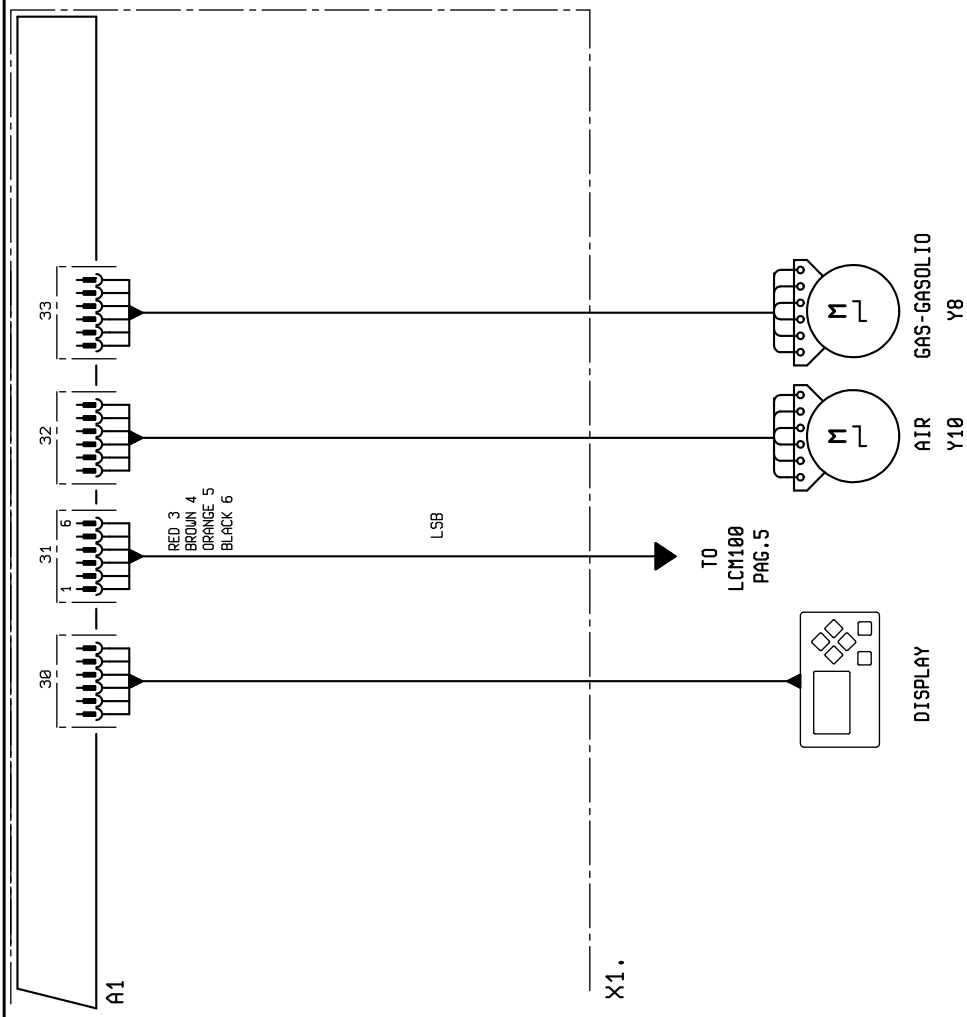
N° 0002631091N1
foglio N. 1 di 6
data 02/04/13
Dis. S.Melloni
Visto S.Melloni

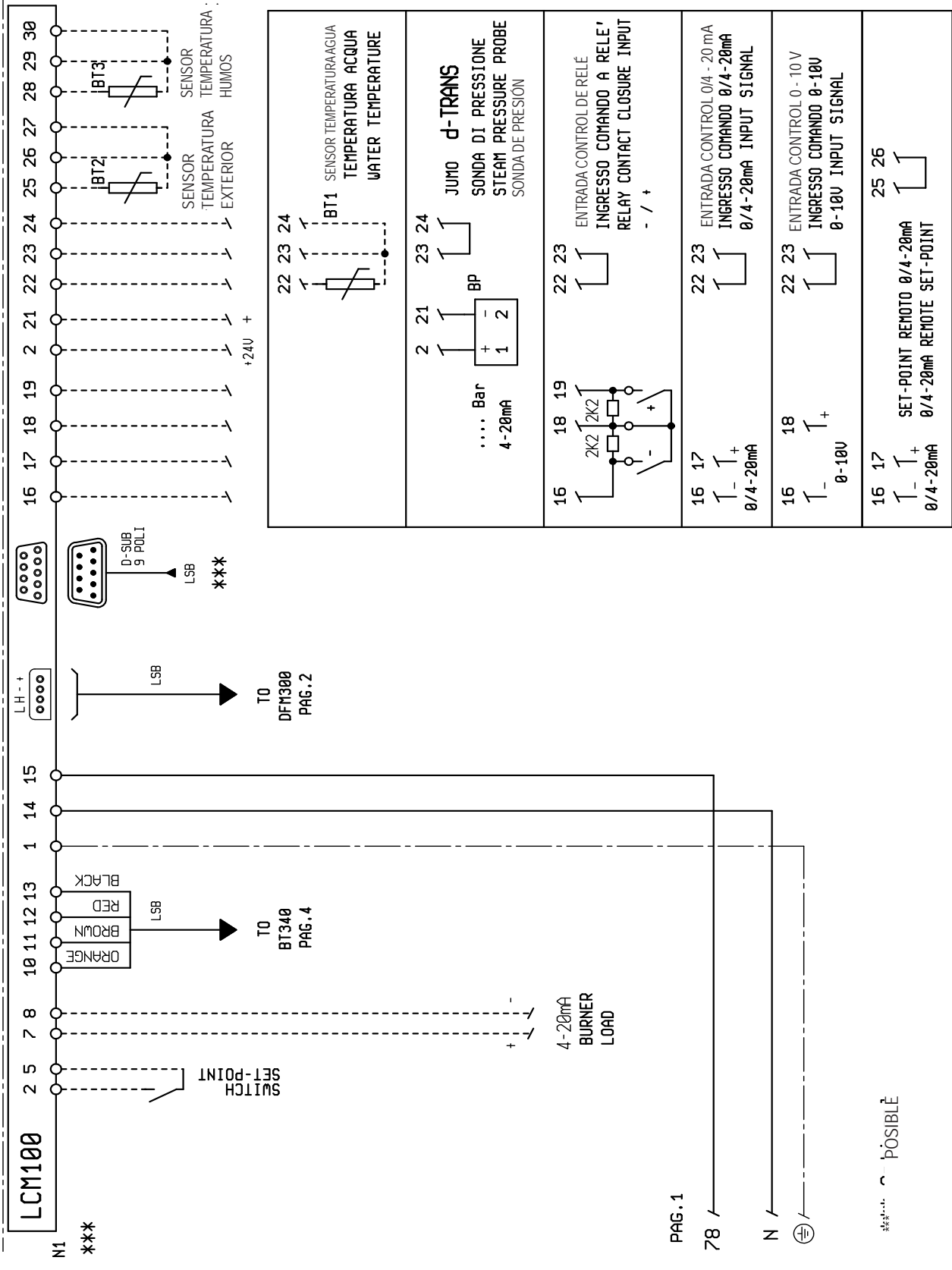


ESPAÑOL







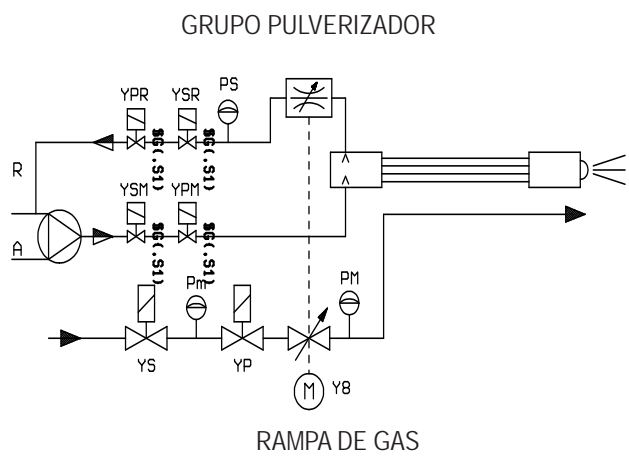


***... POSSIBLE



A1	SISTEMA
A8	EQUIPO PARA DOS COMBUSTIBLES
B1	FOTOCÉLULA UV
F1	RELÉ TÉRMICO
F2	RELÉ TÉRMICO BOMBA
FU1	FUSIBLES
H0	INDICADOR DE BLOQUEO EXTERIOR
H1	INDICADOR DE FUNCIONAMIENTO
H10	INDICADOR DE FUNCIONAMIENTO GASÓLEO
H11	INDICADOR DE FUNCIONAMIENTO GAS
H2	INDICADOR DE BLOQUEO A1
H7	INDICADOR DE BLOQUEO MOTOR DEL VENTILADOR
H8	INDICADOR DE BLOQUEO TÉRMICO MOTOR BOMBA
K2	CONTADOR MOTOR BOMBA
KL	CONTACTOR DE LÍNEA
KD	CONTACTOR TRIÁNGULO
KY	CONTACTOR DE CRUZ
KT	TEMPORIZADOR
MP	MOTOR DE LA BOMBA
MV	MOTOR DEL VENTILADOR
N1	REGULADOR ELECTRÓNICO
P M	PRESOSTATO DE MÁXIMA
PA	PRESOSTATO DEL AIRE
Pm	PRESOSTATO DE MÍNIMA
PS	PRESOSTATO DE SEGURIDAD
S1	INTERRUPTOR MARCHA/DETENCIÓN
S2	PULSADOR DESBLOQUEO
S6	SELECTOR GAS-ACEITE
S24	INTERRUPTOR ENCENDIDO/APAGADO
SG	INTERRUPTOR GENERAL
TA	TRANSFORMADOR DE ENCENDIDO
TC	TERMÓSTATO DE LA CALDERA
TS	TERMÓSTATO DE SEGURIDAD
X1	REGLETA DE CONEXIONES DEL QUEMADOR
X16	TOMA DE SERVICIO
Y8	SERVOMOTOR GAS / GASÓLEO
Y10	SERVOMOTOR AIRE
YP	ELECTROVÁLVULA PRINCIPAL
YPM	ELECTROVÁLVULA PRINCIPAL IMPULSIÓN
YPR	ELECTROVÁLVULA PRINCIPAL RETORNO
YS	ELECTROVÁLVULA DE SEGURIDAD
YSM	ELECTROVÁLVULA DE SEGURIDAD IMPULSIÓN
YSR	ELECTROVÁLVULA DE SEGURIDAD RETORNO

DIN / IEC	
GNYE	VERDE / AMARILLO
BU	AZUL
BN	MARRÓN
BK	NEGRO
BK*	CONDUCTOR NEGRO CON IMPRESIÓN





- Brülörü kullanmaya başlamadan önce, ürünün tamamlayıcı parçası olan bu kullanım kılavuzunu ekindeki "KULLANICI İÇİN BRÜLÖRÜ GÜVENLİ KULLANMA TALİMATLARI" broşürünü dikkatle okuyun.
- brülörü kullanmaya başlamadan ve herhangi bir bakım işlemi yapmadan önce, talimatları dikkatle okuyun.
- Brülör ve tesisat üzerindeki işlemler yalnızca vasıflı personel tarafından yapılmalıdır.
- İşlem yapmadan önce tesisatın elektrik bağlantısı kesilmelidir.
- İşlemler doğru yapılmadığı takdirde, tehlikeli kazalarla karşılaşabilirsiniz.

Uygunluk Beyanı



CE0085:

DVGW CERT GmbH, Josef-Wirmer Strasse 1-3 – 53123 Bonn (D)

Aşağıdaki serilerdeki sıvı, gaz ve karışık, evsel ve endüstriyel yakıtlarla hava üflemleri brülörlerimizin:

BPM...; BGN...; BT...; BTG...; BTL...; TBML...; Comist...; GI...; GI...Mist;
Minicomist...; PYR...; RiNOx...; Spark...; Sparkgas...; TBG...; TBL...; TS...;
IBR...; IB...

(Varyasyon: ... LX, düşük NOx emisyonları için)

aşağıdaki Avrupa Yönetmelikleri tarafından belirlenen minimum gerekliliklere riayet ettiğini:

- 2009/142/CE (D.A.G.-Gaz yakan cihazlara dair yönetmelik)
- 2004/108/CE (C.E.M.-Elektromanyetik uyumluluk)
- 2006/95/CE (D.B.T.-Alçak gerilim yönetmeliği)
- 2006/42/CE (D.M.-Makine emniyeti yönetmeliği)

ve aşağıdaki Avrupa Standartlarına uygun olduğunu beyan ederiz:

- EN 676:2003+A2:2008 (gaz ve karışık yakıtlar, gaz tarafı)
- EN 267:2009 (gaz yağı ve karışık yakıtlar, gaz yağı tarafı)

Cento, 23 Temmuz 2013

Araştırma & Geliştirme Müdürü
Müh. Paolo Bolognin

İdari Müdür ve Genel Müdür
Dr. Riccardo Fava



UYARILAR



DİKKAT



BİLGİLER

GÜVENLİK KOŞULLARINDAKİ KULLANMA UYARILARI	2
TEKNİK ÖZELLİKLER.....	4
BRÜLÖRÜN KAZANA TATBİK EDİLMESİ	8
ELEKTRİK BAĞLANTILARI	8
YAKITLI (GAZ YAĞI) BESLEME TESİSATI.....	10
GAZ RAMPASININ MONTAJI	11
MENTEŞE GRUBUNUN MONTAJI.....	11
DİZEL YAKITLA ÇALIŞTIRMA VE AYARLAMA	13
DOĞAL GAZ İLE İLK DEFA DEVREYE ALMA VE AYARLARININ YAPILMASI	16
BAKIM	20
BRÜLÖRÜN KULLANIMI	21
ELEKTRİK ŞEMASI.....	22



GÜVENLİK KOŞULLARINDAKİ KULLANMA UYARILARI

ÖNSÖZ

Bu uyarı notları sivil kullanım ve sıcak su üretimi için ısıtma sistemleri bileşenlerinin sağlıklı kullanımını sağlamak amacıyla hazırlanmıştır. Bu notlar, yeterli güvenilirliğe sahip donanımların, doğru olmayan ve hatalı kurulumlar veya uygunsuz ve mantıksız kullanımlar sebebiyle zarara yol açmasının önlenmesi amacıyla nasıl hareket edileceğini göstermektedir. İlave olarak bu kılavuzdaki uyarı notları son kullanıcıların anlayabileceği bir dilde teknik olarak hazırlanmış olup, emniyetle ilgili hususlardan kullanıcıların bilgi sahibi olmasını hedefler. Üretici, kurulum veya kullanım sırasında üretici talimatlarına uyma konusundaki aksaklıklardan kaynaklanan hataların sebep olduğu hasarlardan kontratlı olsun veya ekstra kontratlı olsun sorumlu değildir.

GENEL UYARI NOTLARI

- Kullanım kılavuzu ürünün özel ve gerekli parçasıdır ve mutlaka kullanıcıya verilmesi gerekmektedir. Emniyetli kullanım, bakım ve kurulumla ilgili önemli bilgiler içerdiğinden kılavuzdaki uyarıları dikkatlice okuyunuz. Kılavuzu ihtiyacınız olduğunda bulabileceğiniz yerde muhafaza ediniz.
- Malzemeler, geçerli standartlara ve üretici talimatına göre kalifiye teknisyenler tarafından kurulmalıdır. "Kalifiye Teknikerler" demekle, domestik ısıtma ve sıcak su üretimi sistem parçaları hakkında uzman ve özellikle üretici tarafından yetkilendirilmiş kişiler kastedilmektedir. Hatalı kurulum insanlara, hayvanlara ve eşyalara zarar verebilir. Bu tür zararlardan üretici sorumlu değildir.
- Ambalaj açıldığında bütün parçaların mevcut olduğunu ve hasarsız olduğunu kontrol ediniz. Şüphede iseniz, malzemeler kullanmayın ve satıcınıza geri gönderiniz. Ambalajlama malzemelerini (tahta kafesli sandık, plastik poşetler, köpükler, vb...) çocukların ulaşabilecekleri yerden uzak tutunuz. Bu malzemeler toplanarak, çevre kirliliği oluşturmamaları için uygun bir yere atılmaları gerekir.
- Her hangi bir bakım veya temizleme işleminden önce ana elektrik beslemesindeki sistem şalterini kullanarak cihazınızın elektrikliğini kesin veya ilgili bütün cihazların elektrikliğini keserek kapatın.
- Eğer sistemde hata varsa veya cihazınız düzgün çalışmıyorsa, cihazınızı kapatın, tamir etmeye çalışmayın veya malzemeye müdahale etmeyin. Böyle durumlarda sadece yetkili servis ile irtibata geçiniz. Her hangi bir malzeme tamiri orijinal yedek malzemeler kullanılarak Baltur yetkili servisleri tarafından yapılmalıdır. Yukarıdaki durumlardaki hatalı eylemler malzemenin güvenilirliğini tehlikeye atacaktır. Donanımın doğru ve verimli çalışmasını sağlamak için yetkili servisler tarafından kullanma talimatlarına uygun şekilde periyodik bakımlarının yapılması gerekmektedir.
- Donanımlar başka bir kullanıcıya satılır veya gönderilirse veya sahibi cihazı bırakır veya taşır ise; kullanma kılavuzlarının da daima cihazın yanında olmasını sağlayınız. Böylece yeni sahibi ve/veya monte eden kişi kılavuzdan yararlanabilir.
- Opsiyonel malzemeler veya (elektrik malzemesi dahil) kitler de dahil olmak üzere cihazın bütün donanımı için sadece orijinal malzemeler kullanılmalıdır.

BRÜLÖRLER

- Bu cihaz, sadece kazanlarda, sıcak su kazanları, fırınlar veya diğer benzeri donanımlara bağlanarak ve atmosferik ajanlara (yağmur, toz gibi) maruz kalmayan uygulamalar için kullanılmalıdır. Başka diğer kullanım şekilleri uygun olmayan kullanımdır ve dolayısıyla tehlikelidir.
- Brülör, yürürlükteki düzenlemelere göre ve her durumda düzgün

yanmanın sağlanabileceği yeterlilikte havalandırmanın olduğu uygun mahallere kurulmalıdır.

- Tehlikeli toksit karışımlar ve patlayıcı gaz formları oluşabileceğinden, brülörün veya kazanın kurulduğu kazan dairesinin havalandırma açıklığının ve brülör hava emiş ızgarası açıklığının ebadını azaltmayın ve kapatmayın.
- Brülörü bağlamadan önce, sistem beslemesi (elektrik, gaz, motorin, veya başka yakıt) ile alakalı bilgileri üzerindeki etiketinden kontrol ediniz.
- Brülörün sıcak parçalarına dokunmayınız. Genelde aleve yakın alanlardaki ve yakıt ön ısıtma sistemindeki bu parçalar, cihazın çalışması esnasında ısınır ve brülör durduğunda da bir süre sıcak kalırlar.
- Brülör artık kullanılmayacak ise yetkili teknikerler tarafından aşağıdaki işlemler kesinlikle yapılmalıdır;

a) Ana şalterden elektrik besleme kablosu sökülerek, elektrik beslemesinin kesilmesi,

b) Yakıt beslemesini, kapama valfini kullanarak kapatılması ve valfin açma kolunun sökülmesi,

c) Potansiyel tehlike oluşturabilecek parçaların emniyete alınması,

Özel uyarı notları

- Alev yanma odasında oluşacak şekilde brülörün ısı üreticisine bağlantısının emniyetle yapıldığını kontrol ediniz.
- Brülörü devreye almadan önce ve en az yılda bir yetkili teknikerler tarafından test edilmesi gereken işlemler aşağıda bildirilmiştir;
 - a) Brülörün yakıt debisi ayarını, ısı jeneratörünün kapasitesine göre ayarlanması.
 - b) En azından yürürlükteki düzenlemeler ile bildirilen minimum hava ayarı değerinde brülörün yanma verimliliğini sağlamak amacıyla yanma havası debisinin ayarlanması.
 - c) Hava kirliliğine yol açan NOx ve yanmamış gazların yürürlükteki mevzuata göre müsaade edilen sınır değerlerini aşmadığının kontrolünün yapılması.
 - d) Emniyet cihazlarının ve ayar cihazlarının düzgün çalıştığının kontrolünün yapılması.
 - e) Yanma ürünleri tahliye edildiği kanalın durumunun kontrol edilmesi.
 - f) Ayar işlemleri yapıldıktan sonra ayar cihazlarının mekanik emniyet kilitlemelerinin yapılması,
 - g) Brülör kullanma ve bakım kılavuzunun kazan dairesinde olduğunun kontrolünün yapılması.
- Eğer brülör devamlı olarak arızaya geçip duruyorsa, her defasında resetleme yapmayı denemeyiniz. En yakın yetkili servisi problemi çözmesi için çağırınız.
- Yürürlükteki düzenlemelere göre ekipmanların çalıştırılması ve bakımının sadece yetkili servisler tarafından yapılmalıdır.

ELEKTRİK BAĞLANTISI

- Ekipmanlar sadece yürürlükteki elektrik emniyet mevzuatına göre uygun topraklama hattına düzgün olarak bağlandığı takdirde elektriksel olarak güvenlidir. Bu lüzumlu emniyet gereklerinin yerine getirildiğinin kontrol edilmesi gereklidir. Yapıldığından şüpheye iseniz, kalifiye bir elektrik teknisyenini arayarak sistemin denetimini yaptırın. Çünkü, zayıf topraklama bağlantısından kaynaklanacak hasarlardan üretici sorumlu değildir.
- Elektrik devrelerinin ekipmanların maksimum yüklenmelerine göre uygunluğu yetkili servisler tarafından kontrol edilmelidir. Teknik etiketlerinde de gösterildiği şekilde brülörün elektriksel olarak maksimum çektiği gücüne göre uygun kablolanın yapıldığının, özellikle kablo çaplarının çekilen güç için yeterli olduğunun kontrolünü kalifiye elektrik teknisyenine yaptırın.
- Brülörün güç kaynağı üzerinde adaptör, çoklu soket ve uzatma kablosu kullanmayın.
- Şebekeye bağlamak için, yürürlükteki güvenlik yönetmelikleri tarafından öngörüldüğü gibi, çok kutuplu bir anahtar 3 mm'ye eşit veya bundan fazla kontakların açılma mesafesi ile hazırlayınız.
- Telin metal parçalar ile temas etmesini önleyerek, bağlantı için gereken ölçüde elektrik kablosunun dış yalıtkanını kılıfından çıkartınız.
- Yürürlükteki emniyet mevzuatına göre ana güç kaynağının bağlantısında kutuplu şalter kullanılması gerekmektedir.
- Brülör elektrik beslemesinin nötr topraklaması olmalıdır. Eğer iyonizasyon akımı topraklanmamış nötrden kontrol ediliyorsa, terminal 2(nötr) ve topraklama arasına RC devresi için bir bağlantı yapılması gereklidir.
- Elektrikli herhangi bir parçanın kullanımı; aşağıda temel esasları bildirilen elektrik emniyet kurallarına uyulması ile söz konusudur;
 - Vücudunuzun bir kısmı ıslak veya nemli olarak ekipmanlara dokunmayınız.
 - Elektrik kablolarını çekmeyiniz.
 - Cihazınızı atmosferik (yağmur, güneş vb.) ortamlarda, bu duruma uygun depolama özelliği belirtilmediği müddetçe bırakmayınız.
 - Yetkisiz kişiler ve çocukların kullanımına izin vermeyiniz.
- Ekipman elektrik kabloları kullanıcı tarafından değiştirilemez. Eğer kablolar zarar gördüyse, donanımın elektriğini kesiniz ve kabloların değiştirilmesi için sadece yetkili servisi arayınız.
- Cihazınızı bir süre için kullanmamaya karar verdiyseniz, elektrikle çalışan tüm donanımların (pompa, brülör vb.) elektrik bağlantısını kesmeniz tavsiye edilir.

GAZ, MOTORİN VEYA DİĞER YAKIT KULLANIMINDA**Genel uyarı notları**

- Mevcut yasa ve kanunlara uygun olarak ve yetkili teknisyenler tarafından brülörün kurulumu gerçekleştirilmelidir. Yanlış kurulum insana, hayvana ve eşyaya zarar verebilir ki bu aşamada üretici bu zarardan sorumlu değildir.
- Brülör kurulumundan önce sistemin düzgün çalışmasını aksatabilecek yakıt besleme hattı borulamasının içerisindeki pisliklerin temizlenmesi tavsiye edilmektedir.
- Brülörün ilk devreye alınması için yetkili servisler tarafından aşağıdaki kontrolleri yaptırın:
- Brülörün bir süreliğine kullanılmamasına karar verdiyseniz, yakıt hattı üzerindeki valf veya valfları kapatın.

Gaz kullanıldığında özel uyarı notları

- Yetkili teknik servise aşağıdaki kontrolleri yaptırın:
 - a) besleme hattının ve gaz yollarının yürürlükteki kanunlara ve düzenlemelere uygunluğunun kontrol edilmesi,
 - b) bütün gaz bağlantılarının sızdırmaz olduğunun kontrolü.
- Gaz borularını elektrikli cihazların topraklaması için kullanmayın.
- Kullanmadığınızda cihazınızı çalışır durumda bırakmayınız ve daima gaz valfini kapalı tutun.
- Kullanıcı bir süreliğine uzaklara gittiğinde brülöre gaz getiren ana vanayı kapatın.
- Eğer gaz kokusu duyarsanız:
 - a) Asla elektrik anahtarı, telefon veya kıvılcım çıkartabilecek başka bir cihaz açmayın veya kapatmayın.
 - b) hemen kapı ve pencereleri açarak odanın havasını temizlemek için hava akımı sağlayın;
 - c) gaz vanalarını kapatın;
 - d) teknik servisten yardım isteyin.
- Gaz yakıtlı cihazlarının bulunduğu mahallerin havalandırma açıklıklarını kapatmayınız, aksi takdirde zehirli ve patlayıcı karışımın teşekkül etmesi ile tehlikeli durumlar meydana gelebilir.

YÜKSEK VERİMLİ KAZANLAR VE BENZERLERİ İÇİN BACALAR

Şu vurgulanmalıdır ki, yüksek verimlilikteki kazanlarda veya benzerleri uygulamalarda yanma ürünleri (duman) göreceli olarak düşük sıcaklıkta bacaya tahliye edilir. Bahsedilen durum için, geleneksel bacalarda yanma ürünlerinin kayda değer şekilde soğumasına, (hatta sıcaklığının yoğunlaşma noktasının altına kadar düşmesine) müsaade ettiğinden bu bacalar (çap ve ısı yalıtımı yönünden) uygun olmayabilir. Yoğuşma yapan bacada; motorin veya fuel oil yakılıyorsa bacanın duman gazının atmosfere atıldığı kısmında kurum oluşur veya gaz (doğal gaz, LPG, ...) yakılıyorsa baca boyunca yoğunlaşma suyu oluşur. Bu nedenle, yukarıda bahsedilenler gibi problemlerle karşılaşmaması için yüksek verimliliğe sahip kazan ve benzeri sistemlere bağlı bacalar özellikli uygulamasına göre (en kesit ve ısı yalıtımı yönünden) boyutlandırılmalıdır.

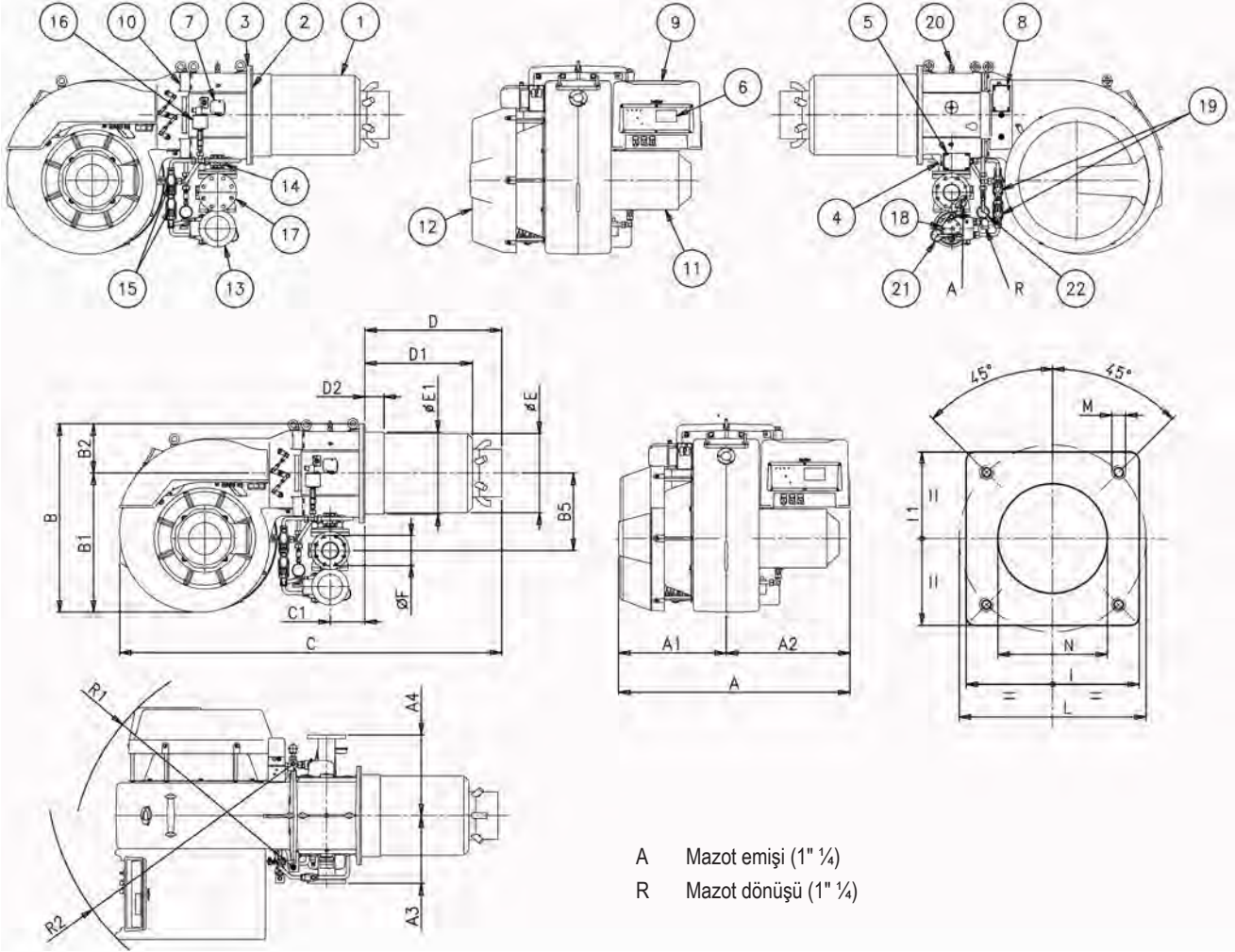
TEKNİK ÖZELLİKLER

				TBML 600 ME	TBML 800 ME
Doğal gaz	TERMİK KAPASİTE	MAKS	kW	6000	8000
		MİN	kW	800	800
	NOx EMİSYONLARI			< 80 (EN 676'ya göre Sınıf III)	
BASINÇ		MAKS	mbar	700	
Gaz yağı	TERMİK KAPASİTE	MAKS	kW	6000	8000
		MİN	kW	2000	2000
	NOx EMİSYONLARI			< 185 (EN 267'ya göre II. sınıf)	
YAKITIN MAKSİMUM VİSKOZİTESİ			1,5° E - 20°C		
İŞLEYİŞİ			"BT 340" ELEKTRONİK MODÜLASYON		
ATEŞLEME TRANSFORMATÖRÜ			2 x 5 kV - 30 mA - 230 V - 50/60 Hz		
FAN MOTORU	50 Hz	11 kW - 2390 dev/dak		15 kW - 2390 dev/dak	
	60 Hz	15 kW - 3487 dev/dak		18,5 kW - 3515 dev/dak	
POMPA MOTORU	50 Hz	2,2 kW - 1430 dev/dak			
	60 Hz	2,6 kW - 1710 dev/dak			
EMİLEN ELEKTRİK GÜCÜ*	50 Hz	14 kW		18 kW	
	60 Hz	18,4		21,9	
GERİLİM	50 Hz	3N ~ 400 V - 50 Hz			
	60 Hz	3N ~ 380 V - 60 Hz			
KORUMA DERECESESİ			IP54		
ALEV ALGILAMA			FOTO REZİSTANS		
GÜRÜLTÜ **			84,0	83,5	
AĞIRLIK			600	640	

*) Hareket fazında, ateşleme transformatörü devrede iken, toplam emiş.

**) Nominal maksimum ısı kapasitesinde, brülör deneme kazanı üzerinde çalışırken, üretici firmanın laboratuvarında ölçülen sesli basınç.

	TBML 600 ME	TBML 800 ME
YALITIM CONTASI	2	
KELEPÇELER	N° 4 M20	
ALTİGEN SOMUN	N° 4 M20	
DÜZ RONDELA	N°4 Ø20	
ESNEK BORULAR	N°1 - 1"¼	
YAKIT FİLTRESİ	N°2 - 1"¼ x 1"¼	



A Mazot emişi (1" ¼)
R Mazot dönüşü (1" ¼)

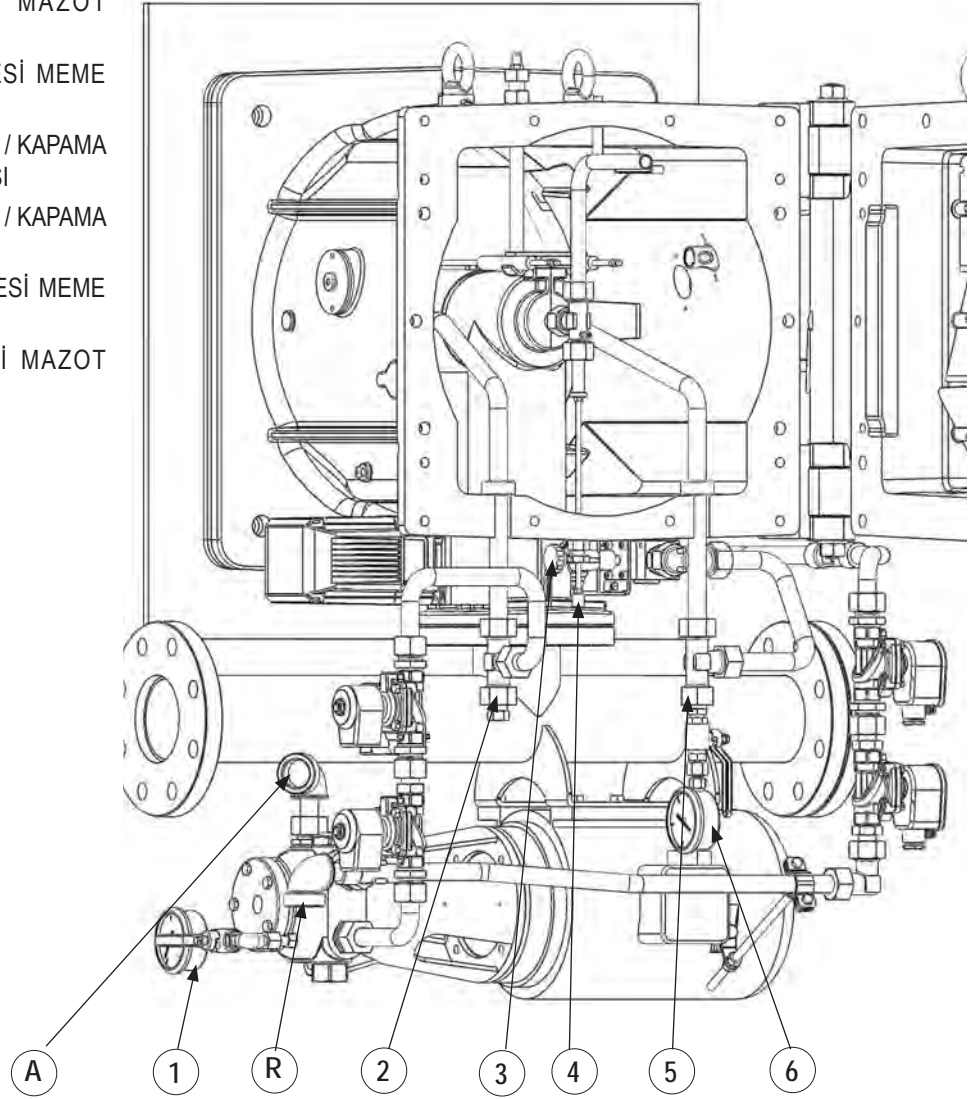
1	Yanma kafası
2	Sızdırmazlık contası
3	Brülör bağlantı flanşı
4	Gaz kelebek vanası
5	Gaz / mazot regülasyon servomotoru
6	Cihaz ekranı
7	Hava presostatı
8	Hava regülasyon servomotoru
9	Elektrik tablosu
10	Menteşe
11	Fan motoru
12	Emiş halindeki hava konveyörü

13	Pompa motoru
14	Mazot debisi regülatörü
15	Mazot dönüş elektro vanası
16	Mazot basınç ölçeri
17	Gaz rampası bağlantı flanşı (SAĞ ya da SOL montaj için)
18	mazot pompası
19	Mazot gidiş elektro vanası
20	Gaz rakoru / basınç prizi tespit vidası
21	Gidiş üzerindeki mazot manometresi
22	Dönüş üzerindeki mazot manometresi

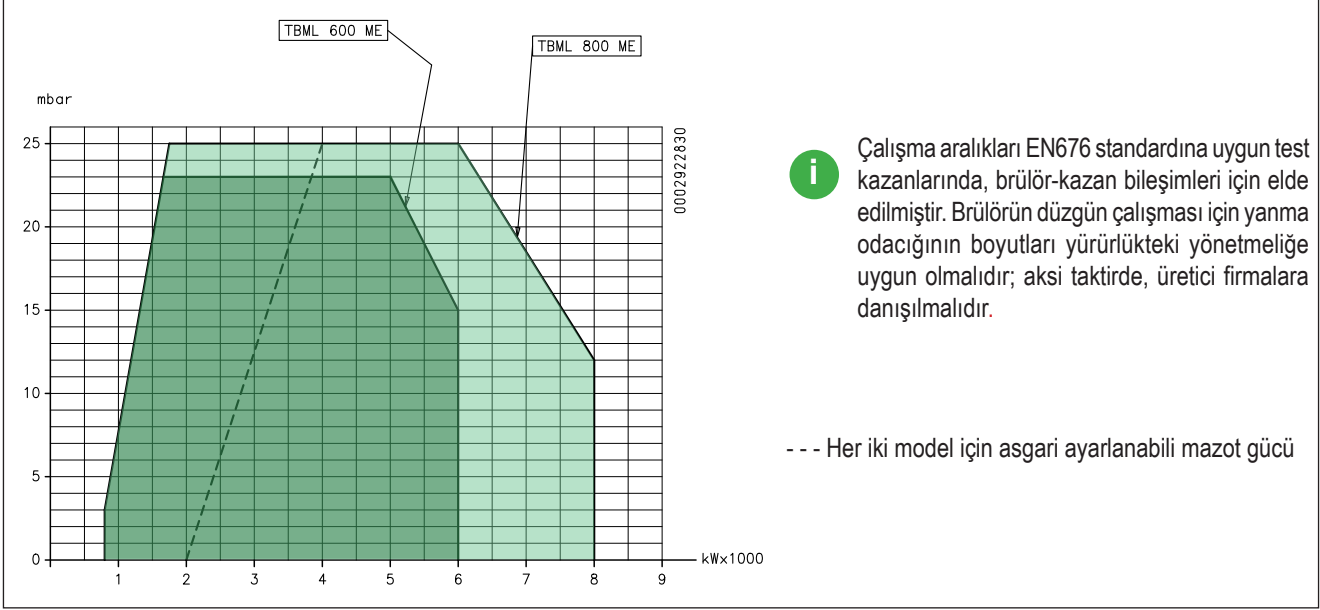
mod.	A	A1	A2	A3	A4	B	B1	B5	C	C1	D	D1	D2	E Ø	E1 Ø	F Ø	R1	R2	I	I1	L Ø	M	N Ø
TBML 600 ME	1230	570	660	335	425	1000	740	260	2020	190	715	570	100	418	432	DN80	1200	1310	520	520	594	M20	440
TBML 800 ME	1230	570	660	335	425	1000	740	260	2020	190	715	570	100	418	432	DN80	1200	1310	520	520	594	M20	440

- 1 GİDİŞ ÜZERİNDEKİ MAZOT MANOMETRESİ
- 2 MAZOT GİDİŞ DEVRESİ MEME TAHLİYE SOMUNU
- 3 MEME TALİ HAVA AÇMA / KAPAMA ÇUBUĞU TESPİT VİDASI
- 4 MEME TALİ HAVA AÇMA / KAPAMA ÇUBUĞU
- 5 MAZOT DÖNÜŞ DEVRESİ MEME TAHLİYE SOMUNU
- 6 DÖNÜŞ ÜZERİNDEKİ MAZOT MANOMETRESİ

- A Mazot emişi (1" ¼)
R Mazot dönüşü (1" ¼)



ÇALIŞMA ARALIĞI



Çalışma aralıkları EN676 standardına uygun test kazanlarında, brülör-kazan bileşimleri için elde edilmiştir. Brülörün düzgün çalışması için yanma odacığının boyutları yürürlükteki yönetmeliğe uygun olmalıdır; aksi takdirde, üretici firmalara danışılmalıdır.

YAPIM ÖZELLİKLERİ

Brülör şunlardan oluşur:

- Hafif alüminyum alaşımdan yapılmış havalandırma grubu
- Yüksek performanslı santrifüj fan
- Emme havası konveyörü
- Ağız parçasına sahip paslanmaz çelikten yapılmış tam yanma kafası.
- Alev izleme penceresi.
- Fanı çalıştırmak için trifaze elektrik motoru
- Yanma havasının mevcudiyetini sağlayan hava presostatı.
- Ayar, çalışma ve güvenlik vanası, minimum ve maksimum presostatlı, basınç ve gaz filtresi regülatörlü gaz besleme tesisatı.
- Kelebekli vana ve mazot debisi regülatörünü yöneten servo motor aracılığı ile yakıt debisinin ayarlanması.
- Avrupa Standardı EN298'e göre vana sızdırmazlık kontrolü ile entegre edilmiş, mikroişlemcili (elektronik kam) otomatik brülör kumanda ve kontrol düzeneği Blokaj halinde hata kodunu ve çalışma sırasını görüntüleyen ekran.
- KÖ fotoseli aracılığıyla alev kontrolü.
- Brülör başlatma/durdurma ve kapama anahtarlarını, yakıt seçme düğmesini, çalışma ve blokaj ışıklarını, elektronik kam programlama tuş takımını içeren kumanda paneli
- IP54 koruma dereceli elektrik tesisatı.

FONKSİYONEL TEKNİK ÖZELLİKLERİ

- Değişimli olarak doğal gaz veya dizel yakıtla (maks. viskozite 20°C'de 1.5°E) çalışabilen karma brülör
- Doğal gaz için EN 676 ve dizel yakıt için EN 267 Avrupa Standardı onayı
- Her iki yakıt türü için de kademeli / modülerli iki kademeli çalışma.
- Elektronik kontrol donanımı ve Lamtec mod kontrolü. Mikro işlemcili BT 340.
- Elektronik cihazla kontrol edilen iki servo motor vasıtasıyla yakıt debisi / yanma havası ayarı
- Emisyonları düşürmek için egzoz gazlarının kısmi olarak yeniden dolaşıma sokulduğu yanma kafası (Doğal gaz için EN 676'ya göre Sınıf III, dizel yakıt için EN 267'ye göre Sınıf II).
- Brülörü kazandan ayırmadan karıştırma grubuna kolay erişim için çift yönlü kapaklı hazne.
- Bacada ısı kaybını önlemek için, elektrikli servomotor aracılığıyla kapağı kademeli kapatarak minimum ve maksimum hava kapasitesini ayarlama.
- Avrupa Standardı EN676'ye uygun valf sızdırmazlık kontrolü fonksiyonları (BT 340 cihazının çalışması hakkında ayrıntılı bilgi için, brülörle birlikte verilen KILAVUZDA yer alan çalıştırma talimatlarını dikkatlice okuyunuz).
- Mazot memesi tali soğutma havası ayar tertibatı

BRÜLÖRÜN KAZANA TATBİK EDİLMESİ

BAŞLIK GRUBUNUN MONTAJI

Yakma kafasının fırına kazan üreticisi tarafından gerekli görüldüğü ölçüde girdiğinden emin olun.

Brülörü kazana monte etmeden önce, memenin talep edilen güce uygun olduğundan emin olunuz, aksi taktirde diyagramda yer alan yönergeleri takip ederek değiştiriniz *pagina 15*

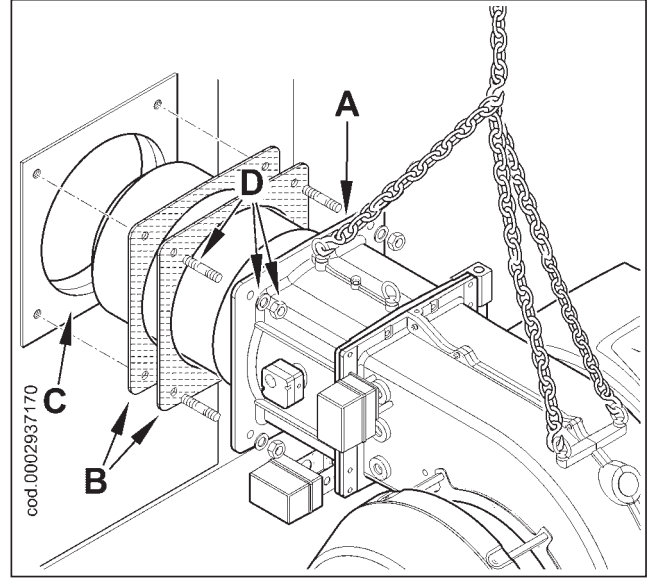
Kaldırma ekipmanını resimde gösterildiği gibi 0002937170 civatalarına iliştiyerek brülörün kullanılması önerilir.

Brülörü kazan kapağına aşağıdaki şekilde takın:

- Brülör bağlantı flanşının (A) üzerine iki adet yalıtım contasını konumlandırınız (B)
- Brülörün flanşını (A) kazana (C) kelepçeler, rondelalar ve aksesuar grubundaki ilgili somunlarla (D) monte edin.



Brülörün küçük borusu ve kazan kapağının içindeki refraktör üzerindeki delik arasındaki boşluğu uygun malzeme ile tamamen kapatınız.

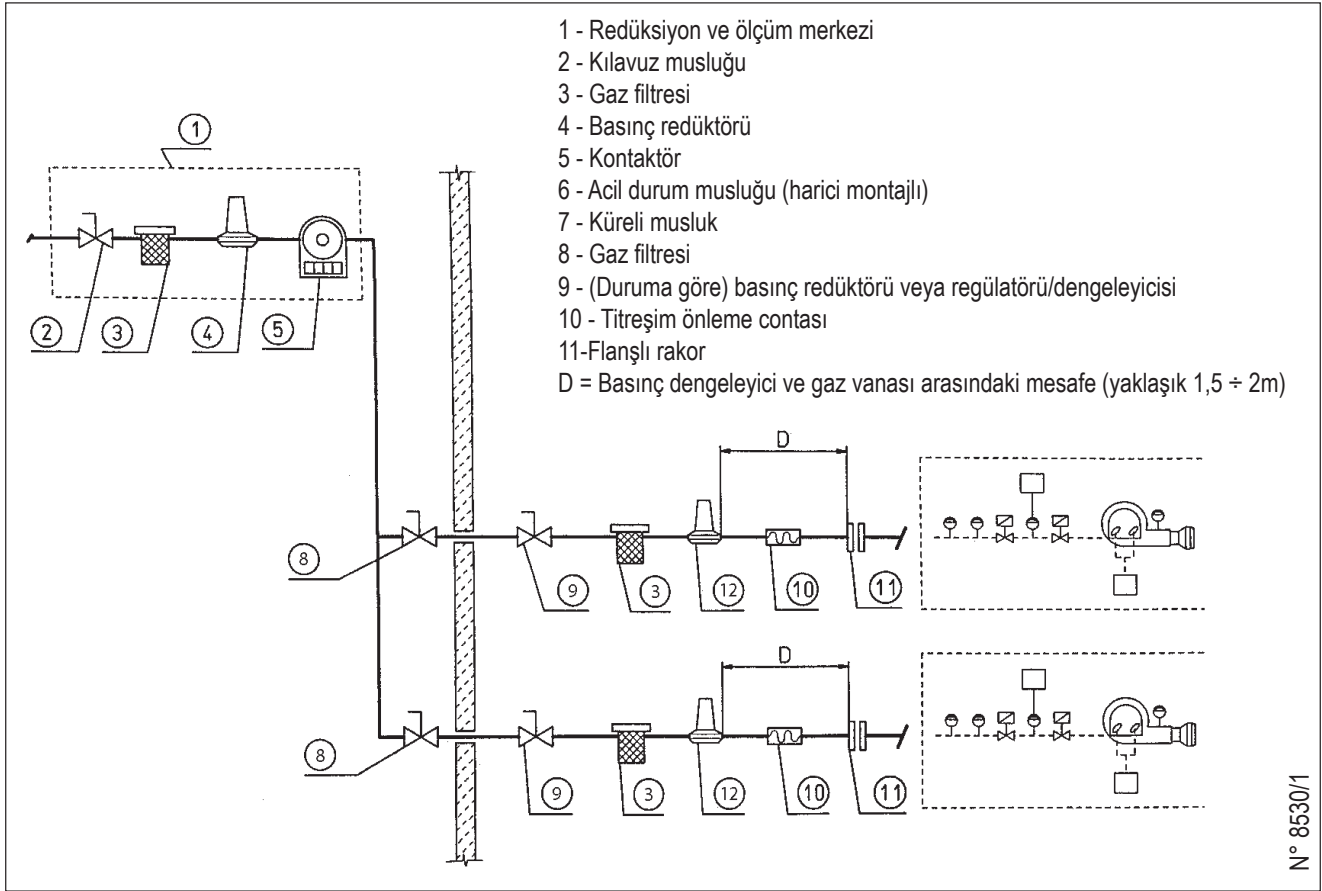


ELEKTRİK BAĞLANTILARI

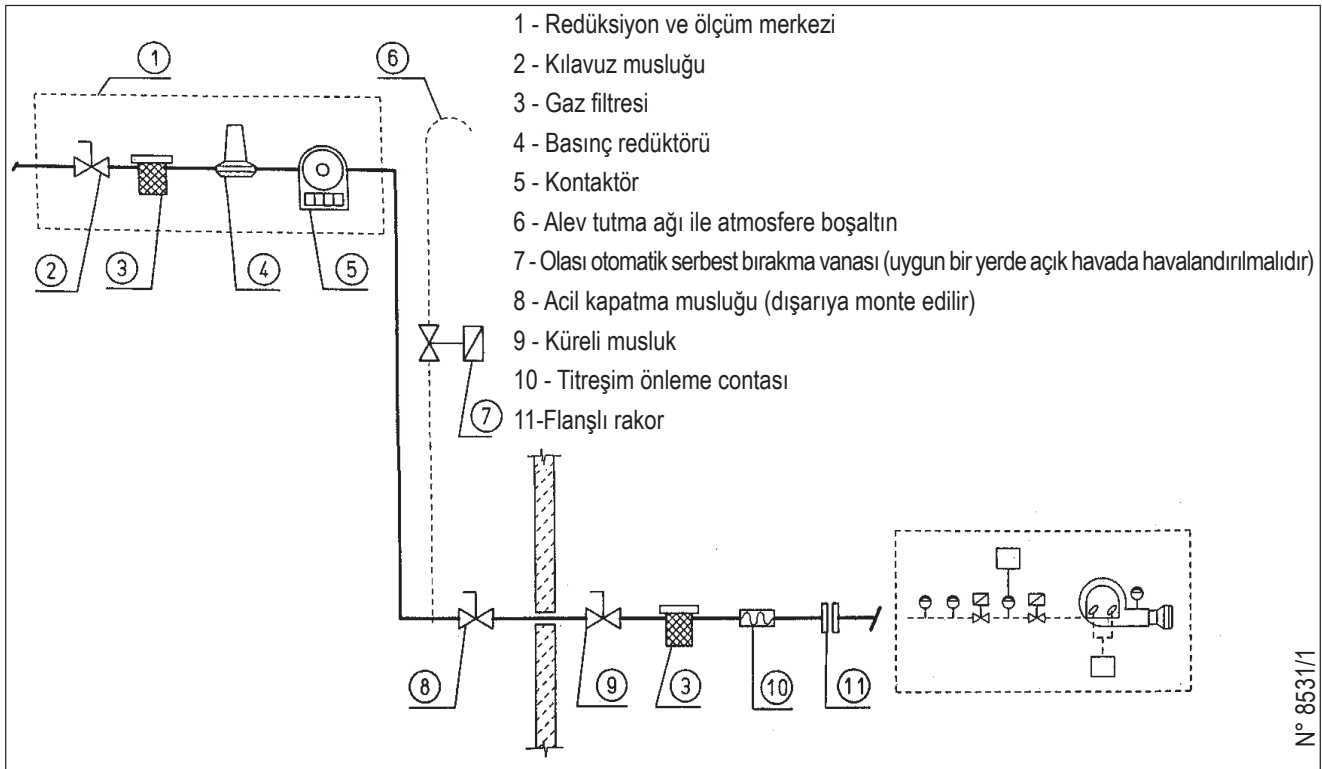
Tüm bağlantıların esnek elektrik kablosu ile gerçekleştirilmesi tavsiye edilir. Elektrik hatları, sıcak kısımlardan uzakta bulunmalıdır. Cihazı bağlamak istediğiniz elektrik şebekesinin voltaj ve frekansının brülör için doğru olduğundan emin olun. Ana besleme hattında; brülörün çekebileceği maksimum akıma dayanabileceği nitelikte sigortalı (gerekli) ve akım sınırlandırıcılı (isteniyorsa) uygun bir anahtar bulunduğunu kontrol edin.

Detaylar için, her brülörün kendine ait elektrik devre şemasına bakın.

BİRDEN FAZLA BRÜLÖRÜ ORTALAMA BASINÇLI BİR GAZ ŞEBEKESİNE BAĞLAMA PRENSİP ŞEMASI



BİR BRÜLÖRÜ ORTALAMA BASINÇLI BİR GAZ ŞEBEKESİNE BAĞLAMA PRENSİP ŞEMASI



YAKITLI (GAZ YAĞI) BESLEME TESİSATI

Brülörün pompası, gerektiğinde 0,5 bar'dan 3 bar'a kadar ayarlanabilen basınç regülatörü ile donatılmış olması halinde, yardımcı pompa ile uygun bir besleme devresi tarafından yakıt alınmalıdır. Bu durumda, brülör pompası girişindeki yakıt besleme basıncı (0,5 ÷ 3 bar), brülör bekleme konumuna geçtiğinde veya brülör çalışır vaziyetteyken kazan tarafından istenilen maksimum yakıtı yakacak şekilde çalışırken değişmemelidir. Normal olarak, aşağıda yer alan şemada gösterildiği gibi basınç regülatörsüz yakıt devresi ile de yakıt beslemesini gerçekleştirmek mümkündür. Besleme devresi 8666/3 numaralı resime göre yapılmalıdır.

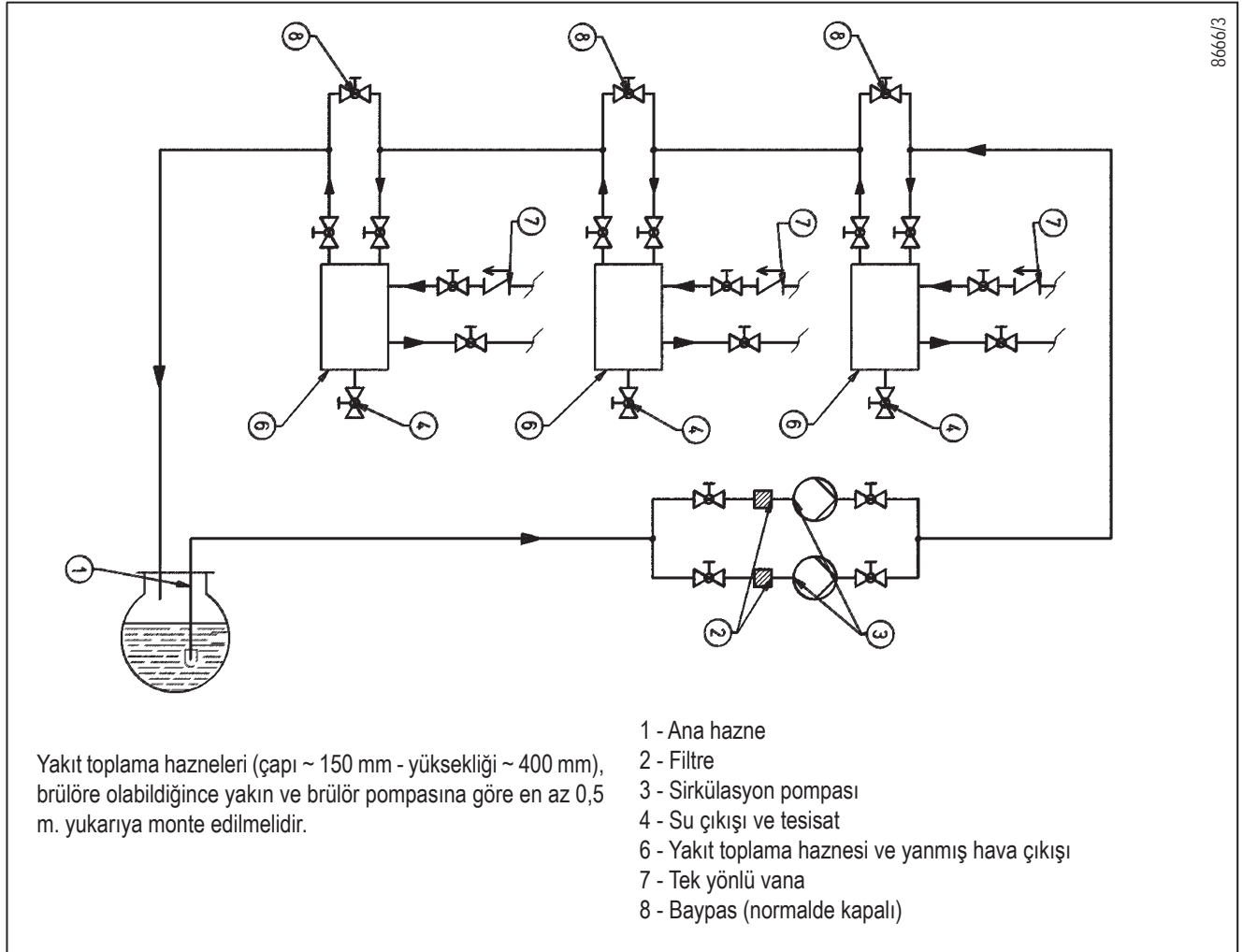
Boru hatlarının boyutlandırılması, boru hatlarının uzunluğuna ve kullanılan pompanın kapasitesine göre gerçekleştirilmelidir. Önerdiğimiz düzenlemede yalnızca iyi bir çalışmayı garanti etmek için gerekli miktarlar dikkate alınmıştır.

Çevre kirliliğine karşı düzenlemeler ve yürürlükte olan ilgili yerel düzenlemelerin gereksinimleri yerine getirilmelidir.

KARMA BRÜLÖRÜN ATEŞLENMESİ İLE İLGİLİ TALİMATLAR

Önce sıvı yakıtla ateşlemenizi öneririz, çünkü bu durumda besleme bulunan meme tarafından belirlenir, ama gaz beslemesi ilgili kapasite ayar düzeneği aracılığıyla değiştirilebilir.

İKİ KADEMELİ VEYA MODÜLASYONLU, NOMİNAL VİSKOZİTESİ EN FAZLA 50° 'DE 5° E OLAN DİZEL VEYA MAZOTLU BİR YA DA BİRDEN FAZLA BRÜLÖRÜN BASINÇLI BESLEME HİDROLİK ŞEMASI



GAZ RAMPASININ MONTAJI

Gaz besleme tesisatı EN 676 standardına uygundur ve brülörden ayrı gelir.

Gaz besleme tesisatının A, B montaj seçenekleri vardır. Mevcut kazana ve gaz borularının geliş konumuna göre en akılcı yeri seçin.

MENTEŞE GRUBUNUN MONTAJI

Brülör özel bir menteşe ile donatılmış olup, havalandırma grubunun açılma yönü tersine döndürülebilmektedir. Brülör, menteşe sağ tarafta monte edilmiş şekilde tedarik edilmektedir. Azami açılımı mümkün kılmak ve dolayısı ile bakım işlemleri kolaylaştırmak için, menteşenin, gaz rampasının kurulduğu konuma göre, brülörün karşısına monte edilmesi tavsiye edilmektedir.

Menteşenin sol tarafa monte edilmesi lazım geldiğinde, aşağıda verilen prosedürü izleyiniz:

- Brülörü kazana monte ettikten sonra, N tespit vidalarını gevşetin ve havalandırma gövdesini, E merkezleme pimini sökecek kadar açınız (0002937220).
- N vidalarını sıkarak brülörü tekrar kapatınız ve iki adet F menteşesi ile G pimini sökünüz.
- Flanjin sol tarafından bulunan 3 adet N vidasını ve buna ait rondelaları sökünüz ve sağa tarafa, menteşelerin sökülmesi ile boş kalan deliklere monte ediniz.
- Menteşe grubunu, brülörün sol tarafına monte ediniz (0002937230).

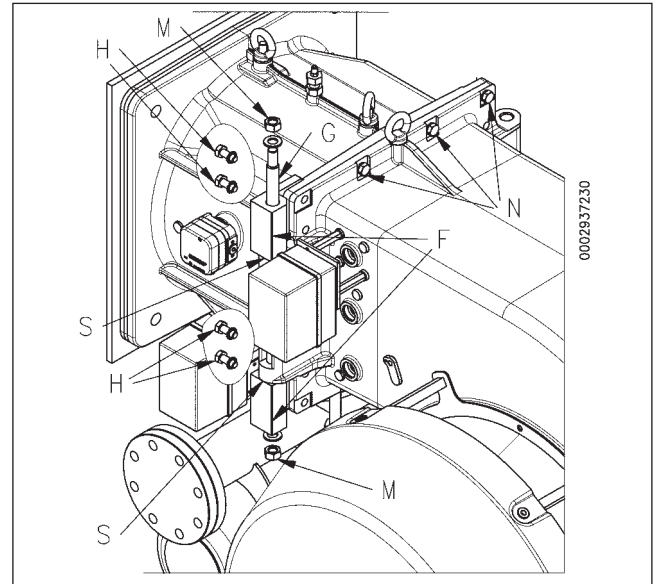
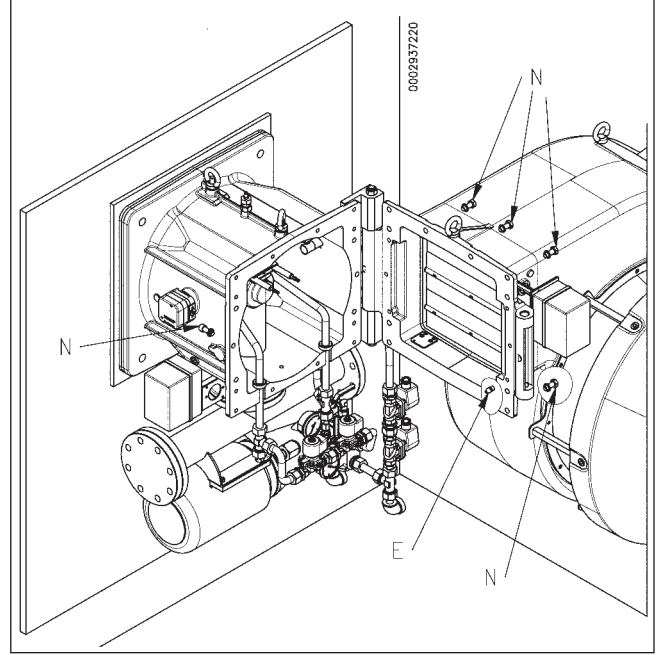
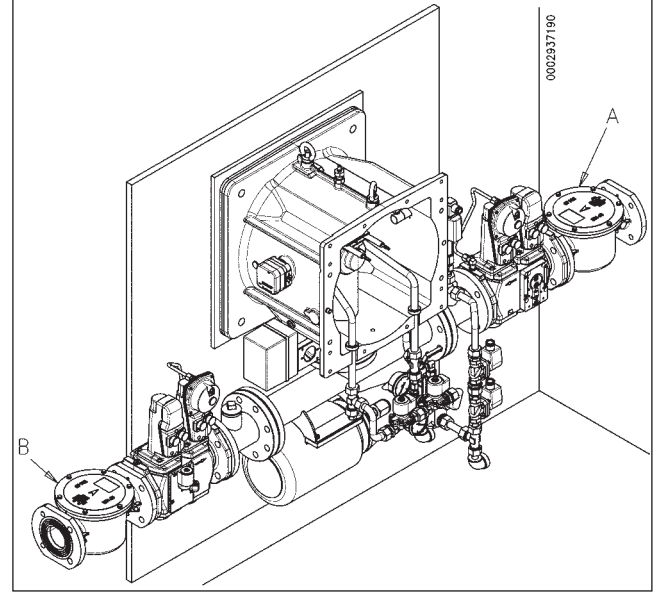


İki adet F menteşesi, 4 adet H vidasını tamamen sıkmadan konumlandırılmalıdır. İlk önce iki menteşenin S dayanma yüzeylerinin sarmalın yüzeyleri ile temas ettiklerinden emin olunuz. Bunun için, ilk önce 2 adet M somunu ve bunlara ait rondelaları sıkınız. Menteşenin dönme hareketini kısıtlayabileceğinden, somunları fazla sıkmaktan kaçınınız. H vidalarını sıkarak işlemi tamamlayınız.

- Yeniden havalandırma gövdesini açarak menteşe grubunun doğru şekilde döndüğünden emin olunuz, E merkezleme pimini menteşenin zıt tarafından bulunan vantilatör flanjinin kenarına monte ederek brülörün kapanmasını kolaylaştırınız.



Brülörü her açışınızda, ilk önce gaz kelebek servo motorunun, mazot basınç regülatörünün, gaz elektro vanalarının ve mazot devresinin bağlantılarını sökünüz.



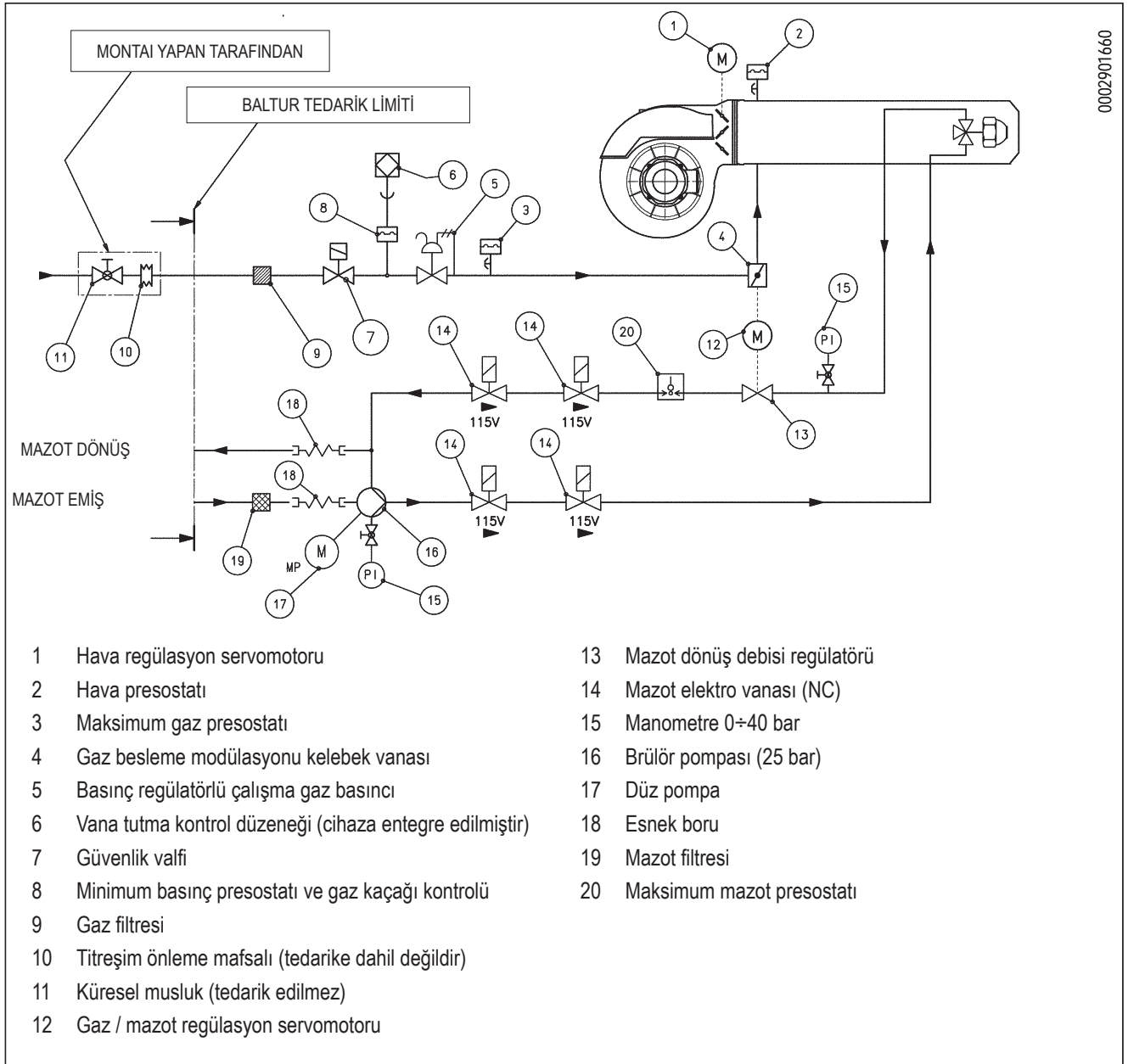
GAZ BESLEME TESİSATI PRENSİP ŞEMASI



Gaz valfi yönünde manüel olarak kapatılabilen bir valf ve prensip şemasında belirtilen özelliklere sahip bir titreşim önleme contası takılmalıdır.

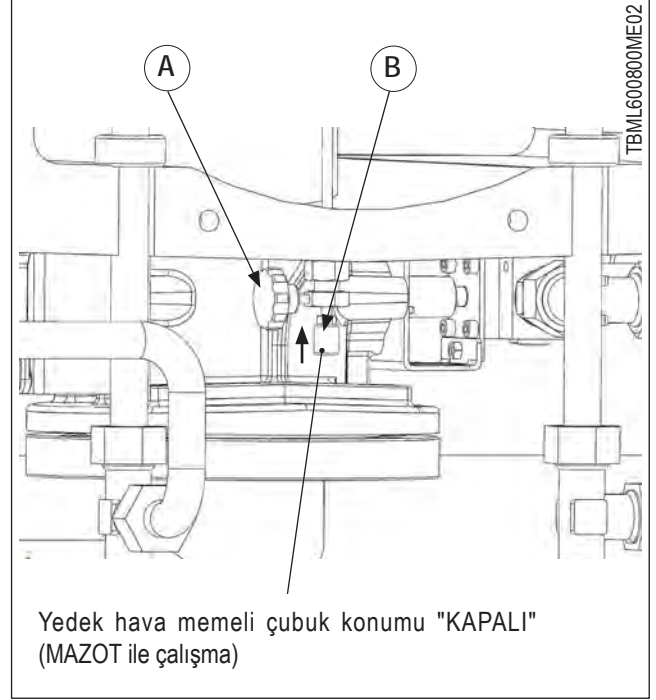
Basınç regülatörünün daha iyi çalışmasını sağlamak için, bu regülatörün yatay boruya, filtreden sonra takılması uygun olur. Gaz basınç regülatörü brülör en yüksek fiili kapasitesinde çalışırken ayarlanmalıdır. Çıkış basıncı, (ayar vidası nerdeyse sonuna kadar sıkılarak elde edilen) mümkün olan en yüksek değerin biraz altına ayarlanmalıdır; ayar vidası gevşetildiğinde, regülatör çıkış basıncı artar ve gevşeme azalır.

TBML 600 / 800 SERİSİ KARMA BRÜLÖRLERİ ESAS ŞEMASI



DİZEL YAKITLA ÇALIŞTIRMA VE AYARLAMA

- Kumanda panosunun üzerinde bulunan şalteri "O" konumuna getiriniz (açık).
- "Yakıt değiştirme" anahtarını "YAĞ" konumuna getiriniz.
- (A) vidasını gevşeterek ve (B) çubuğunu sonuna kadar iterek başlığın ayırıcısı havasını kapatınız. Vidayı yeniden vidalayınız (A).
- Vanaları kapatınız ve kasma aksamını açınız.
- Kazanda su bulunduğundan ve sistem vanalarının açık olduğundan emin olun.
- Yanma ürünlerinin tahliye yolunun tıkalı olmadığından (kazan vanaları ve bacanın açık olduğundan) emin olun .
- Bağlanacak akımın brülör için imalatçının belirttiği doğru akım olduğundan ve motorun elektrik bağlantılarının mevcut besleme akımı için doğru ayarlanmış olduğundan emin olun. Yerinde yapılan tüm elektrik bağlantılarının elektrik şemamızda belirtilen şekilde doğru olduğundan da emin olun.
- Yedek yakıt besleme devresini, söz konusu devrede basınç regülatörü varsa iyi çalıştığından emin olup basıncı yaklaşık 0,5÷3 bar seviyesine ayarlayarak hizmete sokun.
- Vakum ölçer bağlantı tapasını pompadan çıkarın ve yakıt geliş borusunun üzerindeki sürgülü kapağı hafifçe açın. Yakıtın delikten hava kabarcığı olmadan çıkmasını bekleyin ve ardından sürgülü kapağı kapatın. Basıncı bir besleme devresinin bulunmadığı hallerde, besleme esnek borusuna yakıt dökerek pompayı doldurunuz.
- Brülör pompasına yakıt geliş basıncını kontrol edebilmek için, vakum ölçerin geliş hattı üzerindeki pompada bulunan yuvasına manometreyi (yaklaşık 4 barlık) takın. Yakıtın basıncı, brülör kapalıyken de 0,5÷3 bar arasında olmalıdır.
- Mazot boruları üzerinde bulunan kapakları açınız.
- Brülörün bağlı bulunduğu elektrk hattına akım veriniz. İlgili uzaktan kumanda düğmesine basarak pompanın fan motorlarının doğru yönde dönüp dönmediğini kontrol edin ve gerekiyorsa, dönme yönünü değiştirmek için ana hattın iki kablosunun yerlerini değiştirin.
- Eğer ters yönde dönüyorsa, motor dönüş yönünü düzeltmek için ana giriş kablolarının iki ucunu değiştirin. Devrede hafif bir basıncın varlığı basıncın dolmaya başladığını gösterir.
- Şalteri (1), kumanda panosunda bulunan, (I) konumuna getirerek cihaza akım veriniz ve şalteri (2) "kapalı" konuma getirerek termostatik hattı kapatınız. Termostatlar veya basınç düğmeleri (güvenlik ve kazan) kapatılmışsa, çalıştırma döngüsünde de başlar. Cihaz açılır. Brülörü ayarlamak için, "HIZLI PROGRAMLAMA KILAVUZU" ile "BT 340" elektronik kamına özel talimat kılavuzuna bakın.
- Alev sensörünün devreye girişini kontrol edin.



- ALEV HÜCRESİ

Alev algılaması KÖ fotoseli ile gerçekleştirilirse, hücrenin hassasiyetini kontrol edin. Hafif bir yağlanma ışın hüzmelerinin geçmesini önemli düzeyde engelleyerek içerideki algılayıcı elemanın doğru çalışma için gerekli miktarda radyasyonu almasını engeller. Ampulün kirlenmesi durumunda uygun şekilde temizlenmelidir. Ayrıca sadece parmakla temasın bile fotoselin çalışmasını olumsuz etkileyebilecek bir leke bırakacağını unutmayın. Fotosel gün ışığını veya normal lambaların ışığını "görmez". Herhangi bir hassaslık doğrulaması alev ile yapılabilir (çakmak, mum). Doğru bir işleyiş için, hücre geriliminin akım değeri yeterince istikrarlı olmalı ve ilgili ekipmanın gerektirdiği, ilgili cihazın gerektirdiği minimum değerinin altına düşmemelidir. Kontroller şekilde gösterilen denetim masasının terminaleri arasında yapılır.

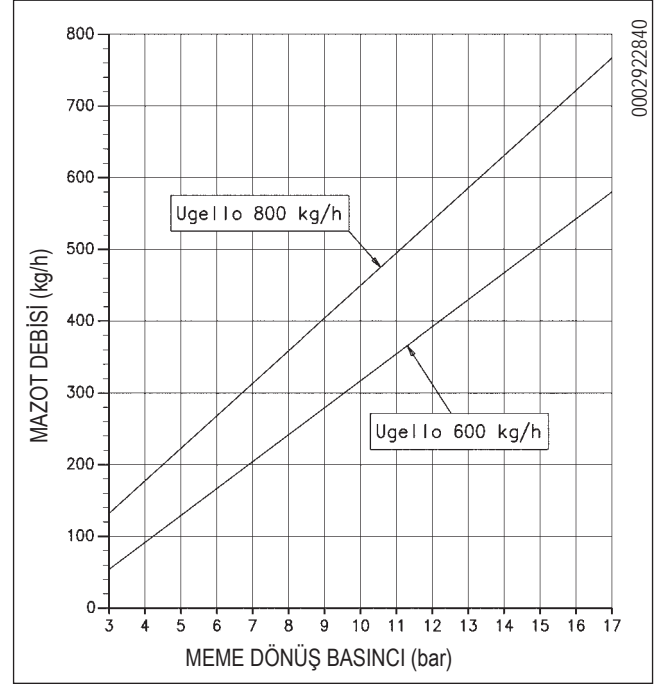
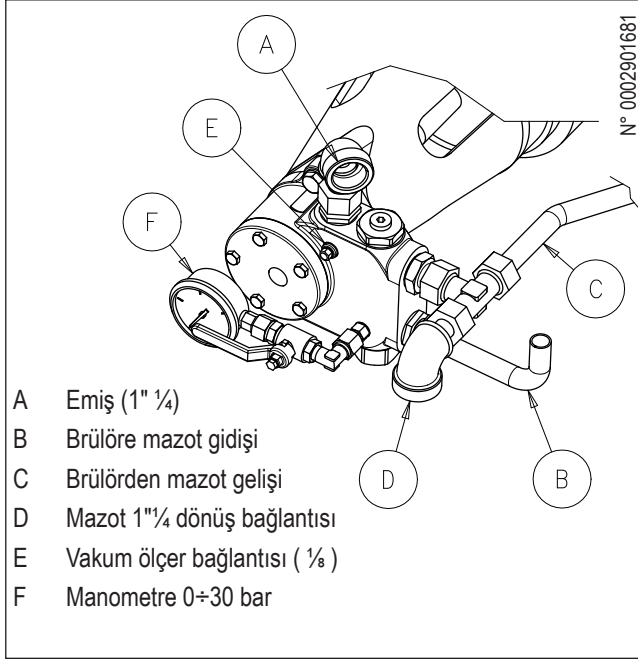
- Brülör "mimimum" değerinde çalışırken, iyi bir yanma sağlamak için gerekli hava ve mazot miktarı ayarlanmalıdır.
- "Minimum" tırmanma gücü için havayı ayarladıktan ve donanım kılavuzunda açıklanan çalışma eğrisi tanımında ilerledikten sonra yapılır. Modülasyon eğrisinin tüm ara noktalarında alet ile birlikte yanma kontrolü yapmanızı öneririz. Azami tedarik, geri dönüş basıncı yaklaşık olarak 17 - 18 bar olduğunda ve pompa basıncı 25 bar olduğunda (0002922840 pagina 15). Dumanda %13'ü aşan CO₂ oranından kaçınınız.

İĞNESİZ FLUIDICS MEME

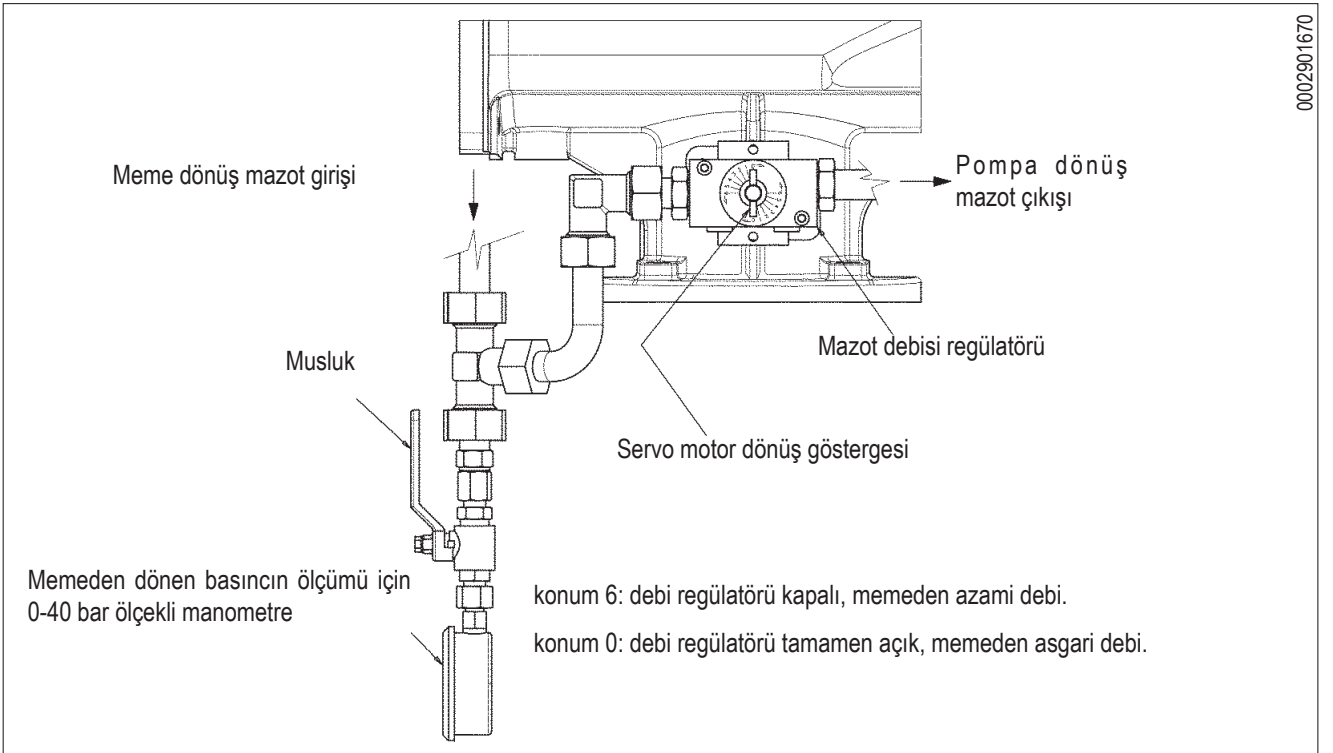
Mazotlu çalışma için, ayarlanan azami termik debiye bağlı olarak, 600 kg/h ya da 800 kg/h'lik iğnesiz FLUIDICS N2 45° memeleri kullanınız. 0002922840 sayılı grafikte, dönüş basıncına bağlı olarak iki meme tarafından temin edilen yakıt debisi değerleri eğrileri bulunmaktadır.

Eğriler, 25 bar'lık mazot pompası ayar basıncına göre elde edilmiştir. Dönüş basınç değeri, 0002901670 şemasındaki 0-40 bar ölçekli manometre ile tespit edilmelidir.

VBH MODELİ HP POMPA BAĞLANTI ŞEMASI

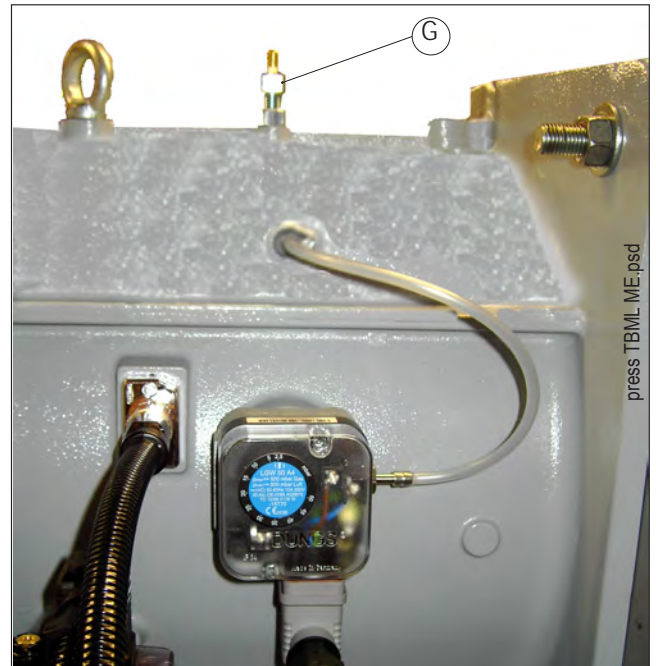
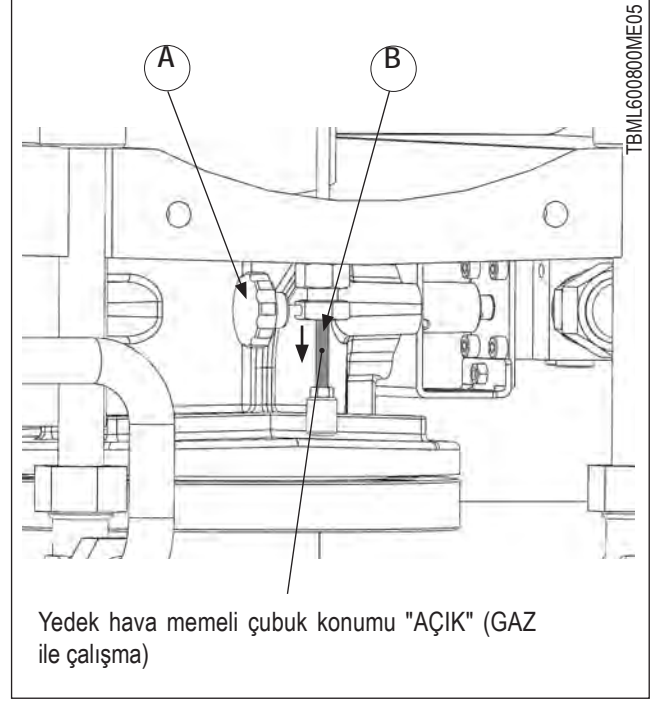


DEBİ REGÜLATÖRÜ BAĞLANTI ŞEMASI



DOĞAL GAZ İLE İLK DEFA DEVREYE ALMA VE AYARLARININ YAPILMASI

- Kumanda panosunun üzerinde bulunan şalteri "O" konumuna getiriniz (açık).
- "Yakıt değiştirme" anahtarını "GAZ" konumuna getiriniz.
- (A) vidasını gevşeterek ve (B) çubuğunu sonuna kadar iterek başlığın yardımcı havasını açınız. Vidayı (A) yeniden vidalayınız.
- Vanaları kapatınız ve kesme aksamını açınız.
- **Kazanda su bulunduğundan ve sistem vanalarının açık olduğundan emin olun.**
- **Yanma ürünlerinin rahatça çıkabileceğinden (kazan ve baca damperleri açık olduğundan ve geçişin tıkalı olmadığından) kesinlikle emin olun.**
- Bağlanacak akım, voltaj ve güç değerlerinin brülöre gereken değerde (etiketinde yazılı değerde) ve elektrik bağlantılarının (motor ve ana hat) mevcut elektrik beslemesine uygun olduğunu kontrol edin. Mahalde gerçekleştirilecek bütün elektrik bağlantıları, bizim elektrik devre şemamıza göre yapılmalıdır.
- Brülör gaz yoluna bağlandığında, henüz yapılmadı ise, kapı ve pencereler açık durumda iken borulardaki havayı almak gereklidir. Brülöre yakın boru üzerindeki bağlantı açılmalı ve borunun havasını almak için kapalı durumdaki gaz kesme vanası hafifçe açılmalıdır. Gaz kokusu algılanana kadar bekleyiniz ve vanayı kapatınız. Sonra, gaz borusunu tekrar brülöre bağlayın. Ardından gaz valfini tekrar açın. Gaz sızdırmazlığını kontrol edin.
- Gaz presostatında izlenen basıncı ölçmek için ölçęi yeterli büyüklükte bir manometre takın (mevcut basınç birimi izin veriyorsa, su sütunlu bir manometre tercih edilmeli, düşük basınçlar için iğneli manometre kullanılmamalıdır).
- Brülör kadran üzerindeki ana anahtar "O" konumuna getirip, uzaktan kumanda anahtarını manüel olarak kapatarak motorun doğru yönde döndüğünden emin olun, gerekiyorsa, motorun dönüş yönünü değiştirmek için kablo girişlerinin yerini değiştirin.
- Şalteri (1), kumanda panosunda bulunan, (I) konumuna getirerek cihaza akım veriniz ve şalteri (2) "kapalı" konuma getirerek termostatik hattı kapatınız. Termostatlar veya basınç düğmeleri (güvenlik ve kazan) kapatılmışsa, çalıştırma döngüsünde de başlar. Cihaz açılır. Brülörü ayarlamak için, "HIZLI PROGRAMLAMA KILAVUZU" ile "BT 340" elektronik kamına özel talimat kılavuzuna bakın.
- Brülör açıkken alev sensörünün (KÖ fotoseli) işleyişini kontrol edin, alev sensörünü brülörün üzerindeki yuvasından çıkarın ve "acil durum" kapanmasını kontrol edin.
- Kazan termostatlarının ve presostatlarının doğru çalışıp çalışmadığını kontrol edin (devreye girdiklerinde brülör kapanmalıdır).
- **ALEV HÜCRESİ**
Alev algılaması KÖ fotoseli ile gerçekleştirilirse, hücrenin hassasiyetini kontrol edin. Hafif bir yağlanma ışın hüzmelerinin geçmesini önemli düzeyde engelleyerek içerideki algılayıcı elemanın doğru çalışma için gerekli miktarda radyasyonu almasını engeller. Ampulün kirlenmesi durumunda uygun şekilde temizlenmelidir. Ayrıca sadece parmakla temasın bile fotoselin çalışmasını olumsuz etkileyebilecek bir leke bırakacağını



unutmayın. Fotosel gün ışığını veya normal lambaların ışığını "görmez". Herhangi bir hassaslık doğrulaması alev ile yapılabilir (çakmak, mum). Doğru bir işleyiş için, hücre geriliminin akım değeri yeterince istikrarlı olmalı ve ilgili ekipmanın gerektirdiği, ilgili cihazın gerektirdiği minimum değerinin altına düşmemelidir. Kontroller şekilde gösterilen denetim masasının terminaleri arasında yapılır.

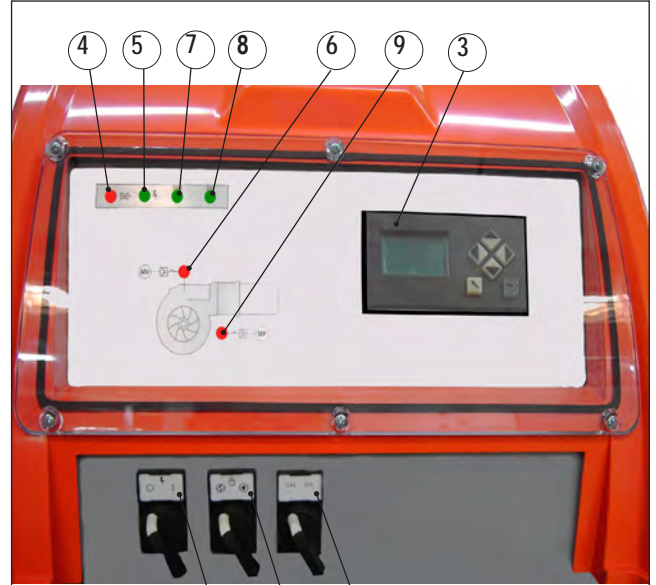
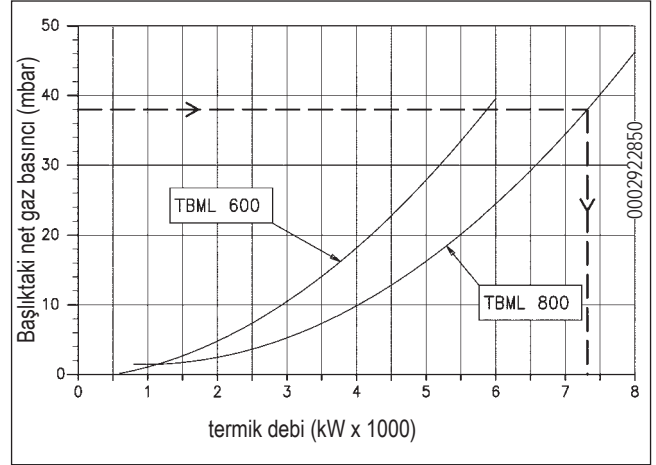
- Brülör "mimimum" değerinde çalışırken, iyi bir yanma sağlamak için gerekli hava ve mazot miktarı ayarlanmalıdır.
- "Minimum" tırmanma gücü için havayı ayarladıktan ve donanım kılavuzunda açıklanan çalışma eğrisi tanımında ilerledikten sonra yapılır. Modülasyon eğrisinin tüm ara noktalarında alet ile birlikte yanma kontrolü yapmanızı öneririz.
- Hava ve gaz ayarını tamamladıktan sonra, sayacı okuyarak fiilen beslenen gaz debisini kontrol edin. Kazanın maksimum ısı kapasitesine ulaşması durumunda kazanın zarar görmemesi için brülörü daha fazla çalıştırmaktan kaçının. Modülasyon eğrisinin tanımlanması aşaması esnasında, yanma başlığında bulunan gazın net basıncın okunması ile ara noktalarda meydana gelen termal debinin yaklaşık değeri elde edilebilmektedir. Uygun ölçüğe sahip bir manometreyi, basınç prizine (G) (bakınız fotoğraf) bağlayınız ve gaz basıncını ölçünüz. Grafikten (0002922850 sayfa 17), alevin karışık basıncı düşüldükten sonra ölçülen basınç değerine bağlı olan termik debiyi elde ediniz.



tarif edilen yöntem yakılan termik debinin sadece yaklaşık ve tahmini değerini vermektedir; daha kesin bir okuma için gaz sayacını okuyunuz.

Örneğin:

- Brülör TBML 800
- G'de ölçülen basınç: Ptc=48 mbar
- Alev noktasında ölçülen karışık basınç: Ptc=10 mbar
- Alev noktasındaki karışık basınç düşüldükten sonra başlık basınç değeri: P=48-10=38 mbar
- P=38 mbar basıncına karşılık gelen eğri noktasında, yakılan termik debinin yaklaşık 7300 kW olduğu anlaşılmaktadır.



- 1 Genel AÇMA-KAPAMA anahtarı
- 2 Termostatik Hat anahtarı
- 3 "BT 340" ekranı
- 4 Cihaz kapama ikaz ışığı
- 5 Voltaj göstergesi
- 6 Varsa fan kilidi
- 7 Gaz çalışma göstergesi
- 8 Mazot çalışma göstergesi
- 9 Pompa motoru kilidi
- 10 (Gaz / mazot) yakıt seçici düğmesi

synoptic_TBML 800 ME

HAVA PRESOSTATININ İŞLEYİŞİNİN AÇIKLANMASI

Hava presostatı, hava basıncı olması gereken seviyede değil ise brülörün emniyet çalışmasına (kendisini durdurarak kilitlemesi) geçmesini sağlar. Bu nedenle, gaz presostatı brülördeki hava basıncı yeterli değere ulaşmadığında ayarlanmalıdır.

Hava presostatının doğru çalıştığından emin olmak için, brülör minimum kapasitedeyken brülörün hemen "kilitlemesini" tetikleyen mekanizmayı kontrol etmek için regülasyon değerini artırın. Özel butona basarak brülörü bloke halinden kurtarınız ve manostatın regülasyonunu, ön havalandırma fazı sırasında mevcut olan hava basıncını açığa çıkarmak için yeterli bir değere getiriniz.

GAZ PRESOSTATININ ÇALIŞMASI

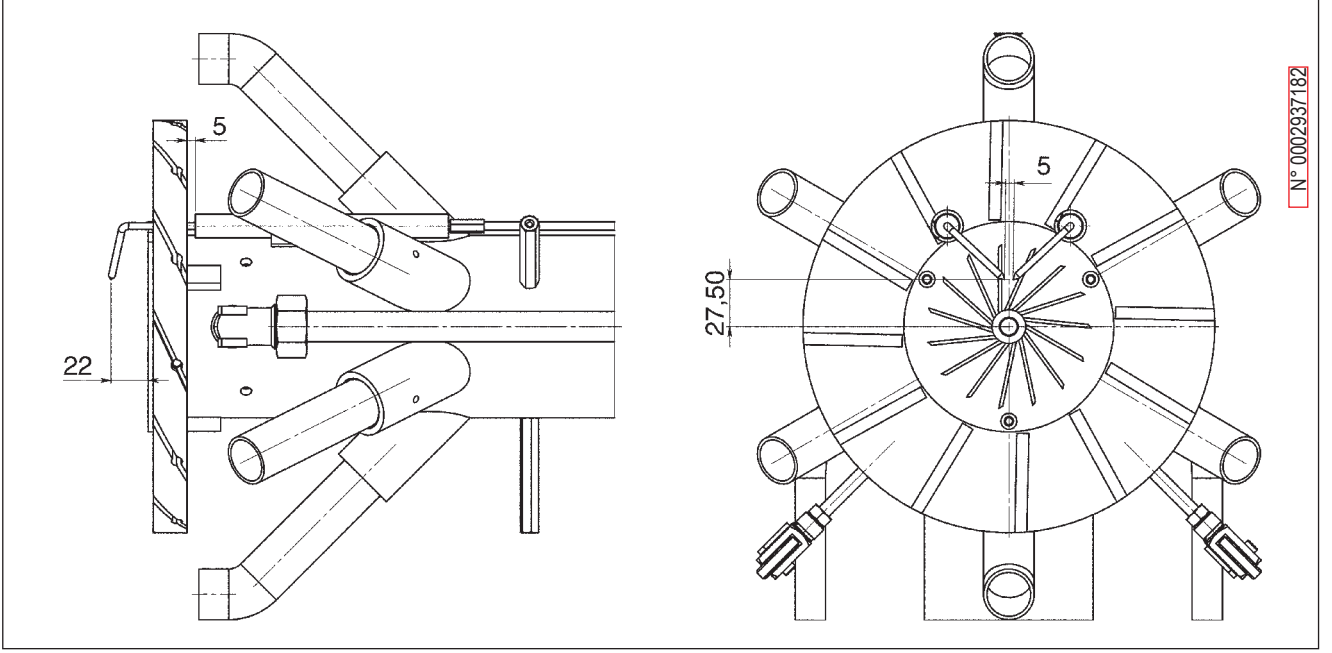
Gaz basıncı (minimum ve maksimum) kontrol presostatları, gaz basıncı ayar değerlerinin dışına çıktığında brülörün çalışmasını önler. Presostatların işlevi nedeniyle minimum gaz basıncı kontrol presostatı ayarlandığından daha yüksek bir basınçla karşılaştığında, NO (normalde kapalı olan) kontağı ayarlanmış olduğundan daha yüksek basınç değeri algılandığında kapatır. Aynı şekilde, maksimum gaz presostatı NC (normalde kapalı olan) kontağı kullanır, böylece ayarlandığından daha düşük bir basınç değeri algılandığında kontağı kapalıdır. Bu nedenle, maksimum ve minimum presostatları, brülör değişik zamanlardaki farklı basınç değerlerine göre kontrol ve test edilerek ayarlanmalıdır. Presostatlar, brülör açıkken presostatlardan herhangi biri devreye girdiğinde (bir devre açıldığında) brülör hemen kapanacak şekilde bağlanır: asgari presostatın müdahale etmesi ile ise brülör stop etmekte ve basınç tekrar çalışmak için gerekli olan değerlere ulaşana kadar bekleme modunda kalır. Brülör, yanma sekasının ile kendiliğinden tekrar çalışmaya başlar.

Brülörün ateşlenmesinden önceki ayar: Minimum presostatı ayarını en düşük seviyeye, maksimum presostatı ayarını ise en yüksek seviyeye getirin. Brülörün kalibrasyonu (yanma ayarları) yapıldıktan sonra gaz presostatlarının yapılması: Brülör maksimum kapasitede çalışırken, minimum presostat için brülörü durdurduğu noktaya kadar skalasını artırın. Bu noktadaki skalasının gösterdiği değeri okuyun ve 5 mbar. düşük değerine minimum presostatı ayarlayın. Brülör beklemede iken maksimum presostat için skalasının ayarını NC (normalde kapalı) kontağı açılana kadar düşürün. Ayar skalası üzerindeki değeri okuyun. Bu değeri 5 mbar. arttırarak maksimum presostatı ayarlayın.



gaz besleme borularının tek bir basınç svicine bağlandığı durumda, bu minimum olacaktır.

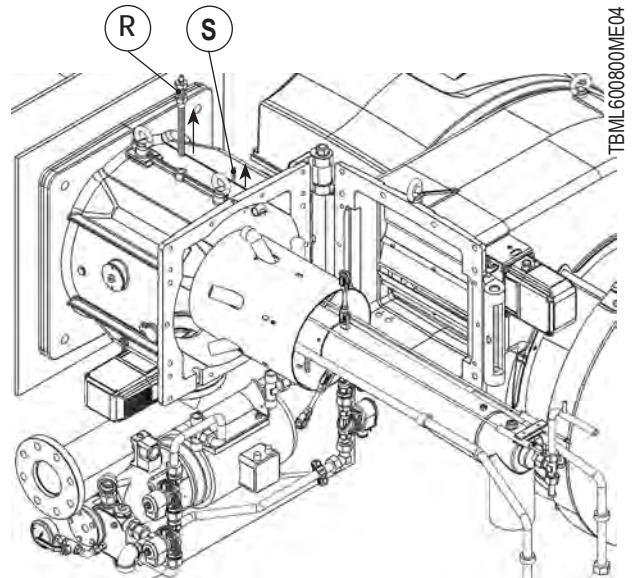
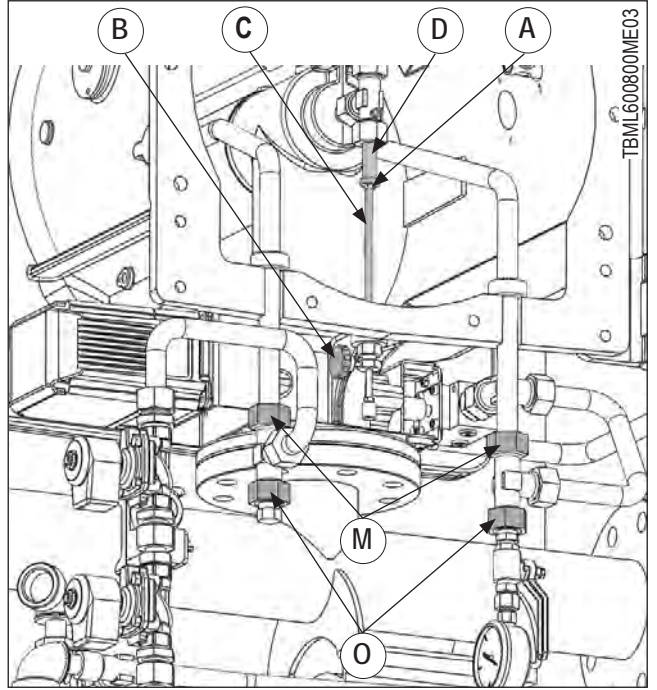
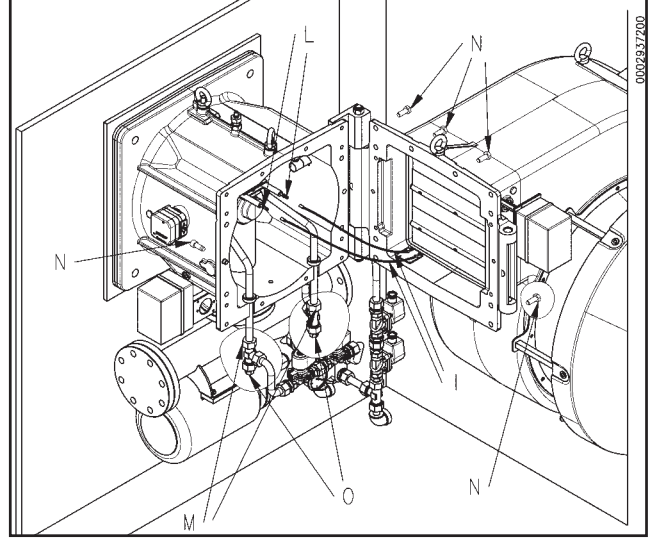


YANMA KAFASI AYAR ŐEMASI VE DİSK ELEKTROT MESAFESİ

BAKIM

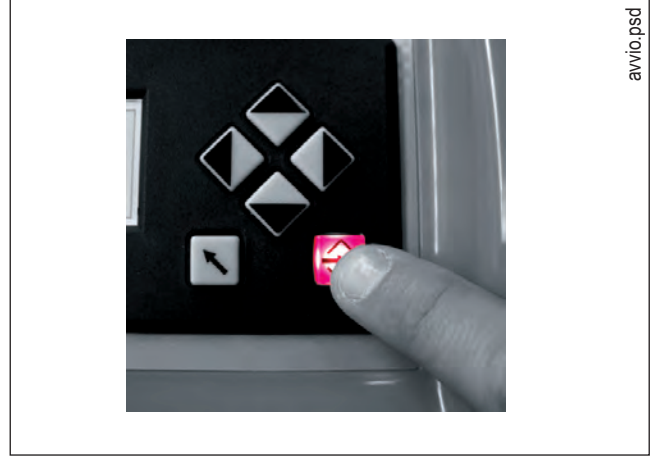
Brülör için hiçbir özel bakım gerekmemekle birlikte, ısınma döneminin sonunda aşağıdaki işlemleri yapmanız uygun olur:

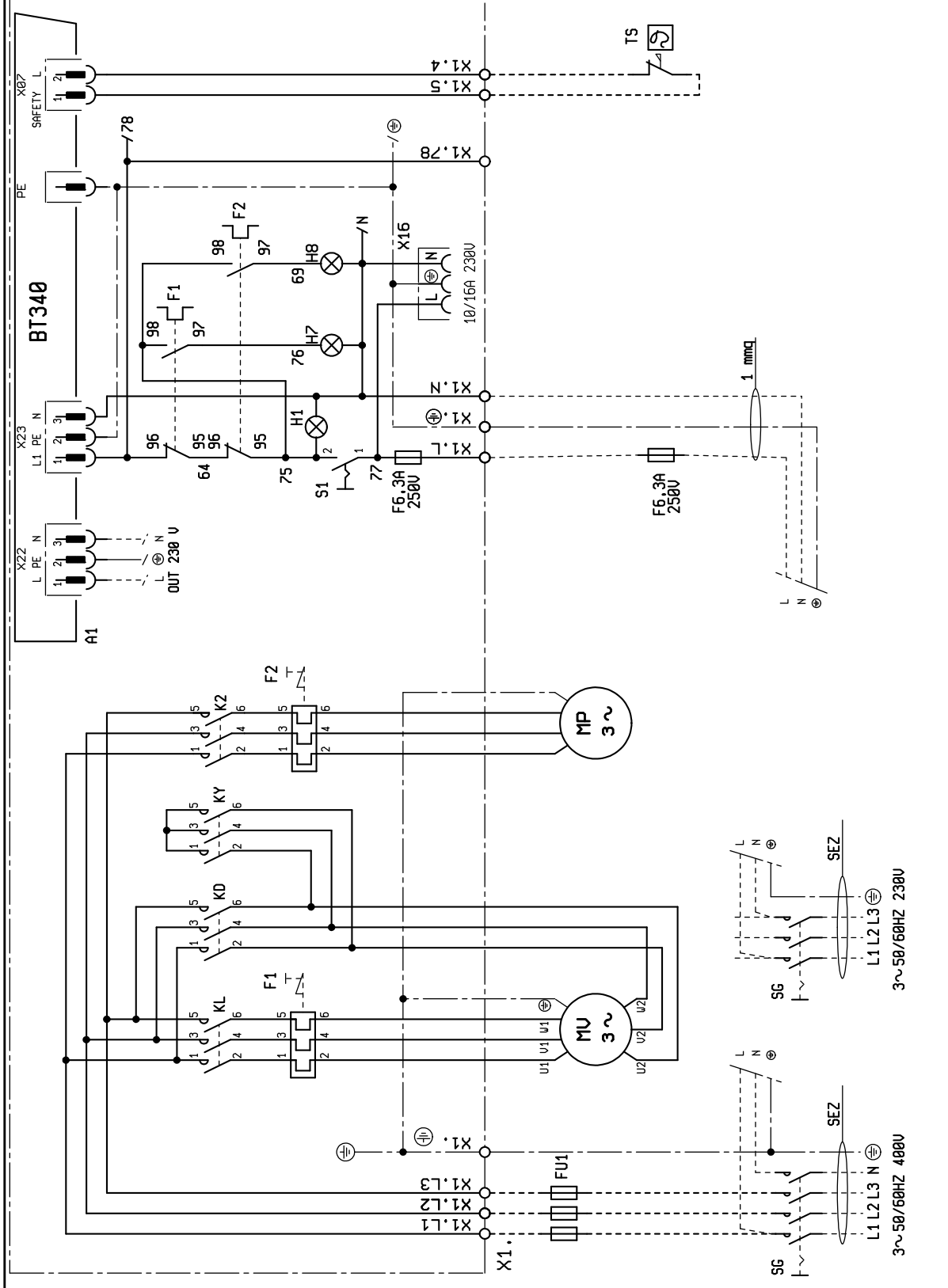
- Hava kapağını, basınçlı hava presostatını ve tahliye borusunu temizleyin.
- Fotoseli temizleyin.
- Gerekirse, kazanı ve bacayı uzman bir kişi tarafından temizletin (baca temizleyicisi); temiz bir kazanın performansı, dayanıklılığı artar, gürültüsü azalır.
- Gaz brülörlerinde, gaz filtresinin temizliğini düzenli olarak kontrol edin.
- Yanma başlığının temizliği için, parçalarındaki giriş açıklığını demonte etmek gerekir. Yeniden montaj işlemleri sırasında, elektrotların topraklanarak brülörün kapanmasına neden olmaması için, gaz çıkış kafasını elektrotlara göre tam olarak ortalamaya dikkat edin. Elektrotları 0002937182 sayılı şemada gösterildiği üzere ayarladıktan sonra. Yakma kıvılcımının sadece elektrotların başlıklarının arasında meydana geldiğinden emin olunuz.
- Emisyon değerlerinin doğruluğunu kontrol ederek, yanmanın tahliye gazlarının analizini gerçekleştiriniz.
- Yanma kafasının tüm bileşenlerinin iyi durumda olduğundan, sıcak nedeniyle deforme olmadığından ve ortam atmosferinden ve kötü yanmadan kaynaklanan kir veya atık içermediğinden emin olun. Yanma kafasının temizlenmesi gerekiyorsa, bileşenlerini aşağıda belirtilen prosedürle sökün:
 - UV fotoselini çıkarınız
 - Gaz ve mazot elektro vanaların bağlantılarını, gaz servo motorunu ve basınç regülatörünü sökünüz.
 - tespit vidalarını (N) gevşetin, havalandırma gövdesini açın;
 - ateşleme kablolarını (I) ilgili elektrot yanma uçlarından (L) çıkarın;
 - Bir tanesinin üzerinde dönüş devre basıncının belirtildiği manometrenin bulunduğu tapaları (O) gevşetiniz, pülverize ünitenin içinde kalan artık mazotu tahliye ediniz. "T" rakorlarının somunlarını (M) gevşetmek sureti ile grup bağlantı hortumlarını ayırınız.
 - Somunu (A) ve vidayı (B) gevşetiniz, pistondan (D) ayırmak için çubuğu (C) döndürünüz ve brülör gövdesinden tamamen çıkarınız.
 - vidayı (R) ve vidayı (S) körukten (P) çıkarınız;
 - karıştırma grubunun tamamını ok yönünde çekerek çıkarın. Bakım işlemlerini tamamladıktan sonra ateşleme elektrotlarının doğru konumda olduğundan emin olduktan sonra, yanma kafasını yukarıda belirtilen şekilde geri takın (bkz., 0002937182 pagina 19).

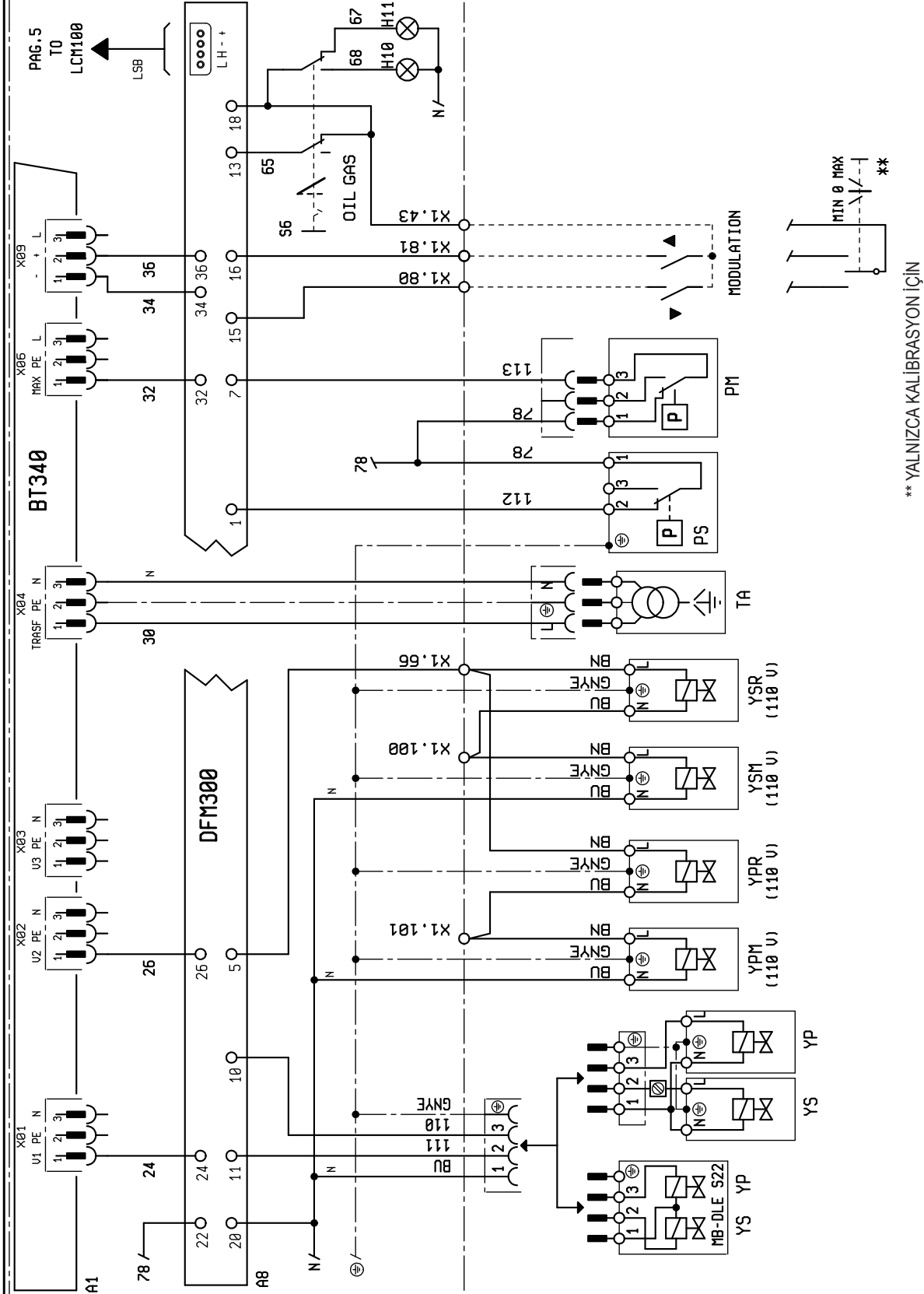


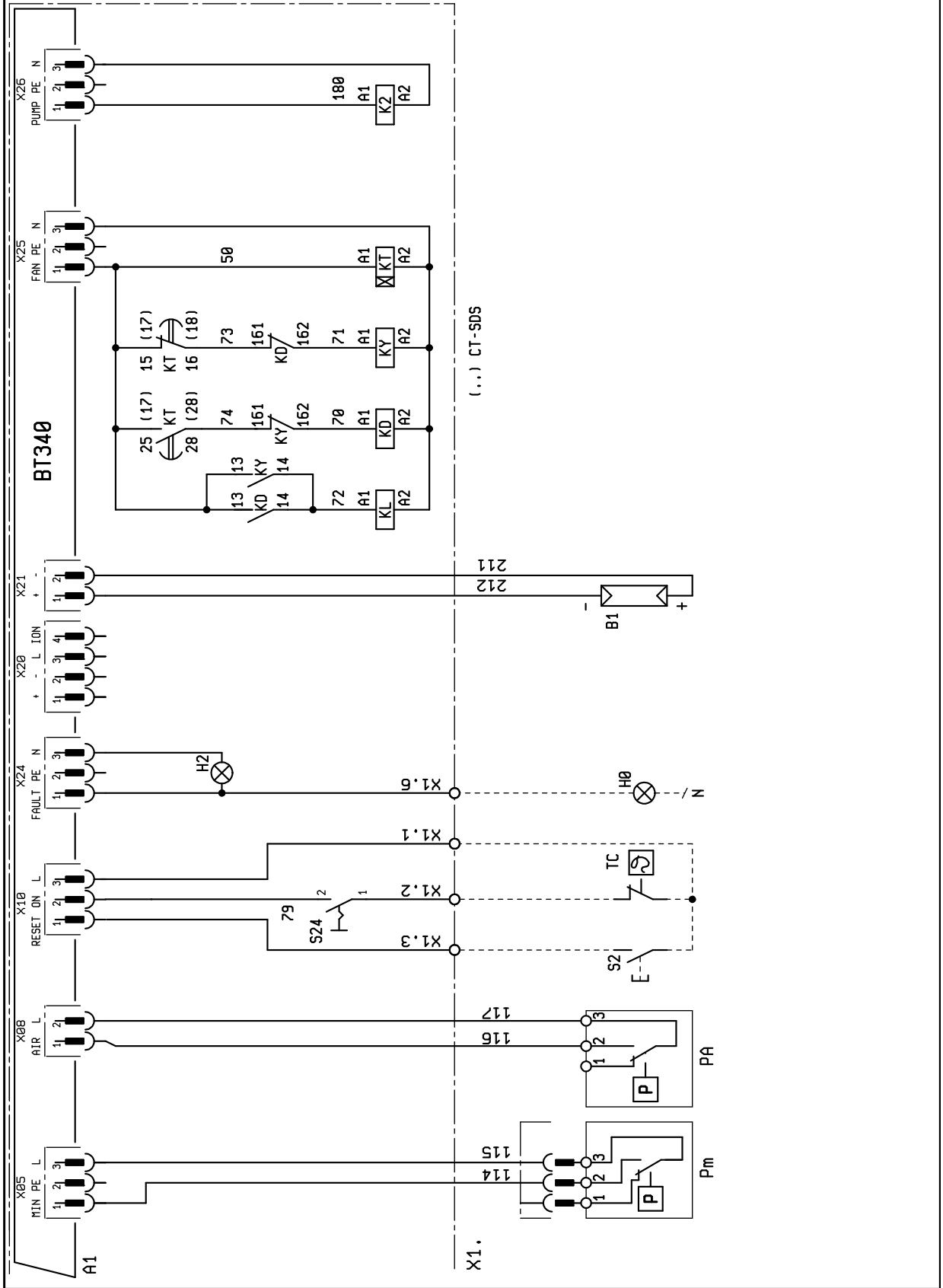
BRÜLÖRÜN KULLANIMI

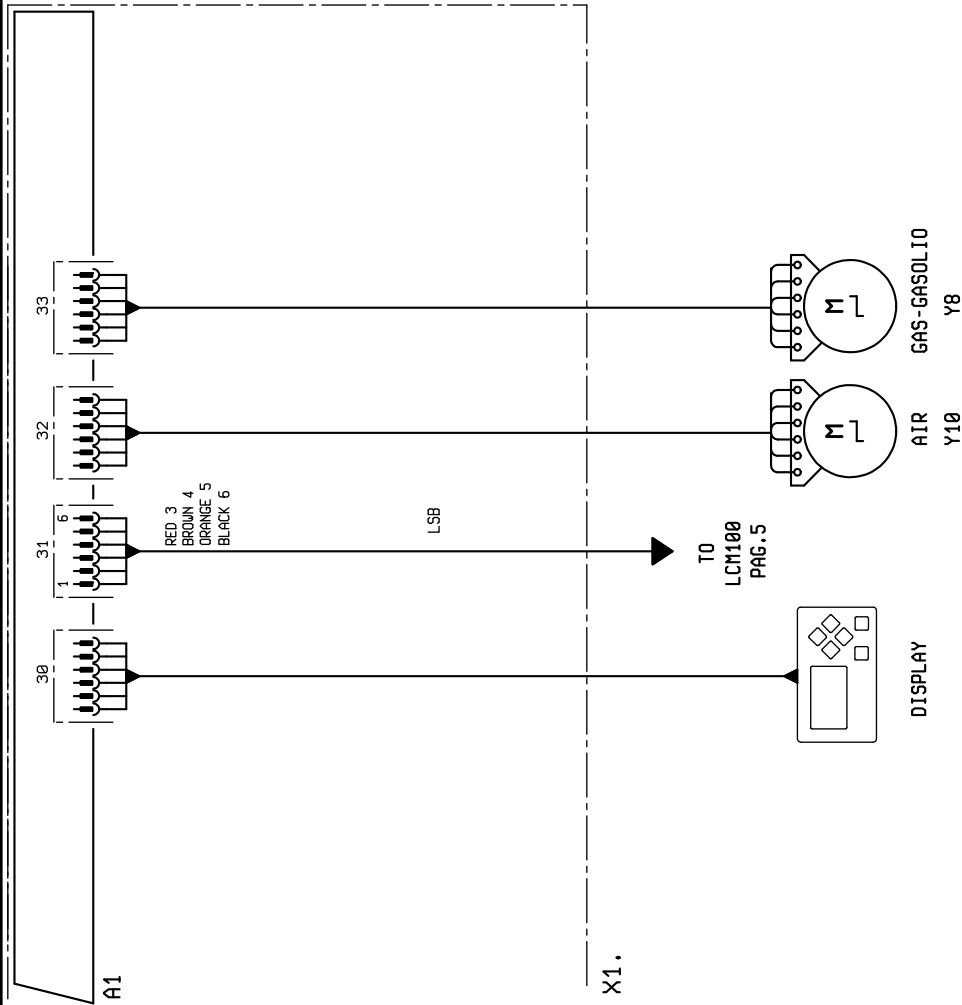
Brülör tam otomatik çalışma modunda; ana şalter ve kumanda paneli şalteri kapatıldığında brülör devreye girer. Brülörün çalışması kontrol aygıtlarından çalıştırılır ve kontrol edilir. "Kilit" konumu, brülörün belirli bir parçasında veya sistemde hata durumunda brülörün otomatik olarak getirildiği bir güvenlik konumudur. Brülör yeniden "devreye sokulmadan" önce merkezi termik sistemde bir anomali olmadığından emin olunur. Brülör kilitleme konumunda zaman sınırı olmadan kalabilir. Açmak için BT 340 teçhizatın ekranında bulunan kırmızı renkli yanıp sönen düğmeye basınız ("GÖNDER" düğmesi). Kilitlenme geçici bir düzensizlikten de kaynaklanabilir; bu durumda, brülör beklemeden düzenli olarak çalışmaya başlar. Ancak, kilitlenme (3 - 4 kez) tekrarlanırsa, ısrar etmeyin ve yakıtın brülör geldiğinden emin olduktan sonra, anomaliği gidermesi için bölgenizden sorumlu teknik servisten yardım isteyin.

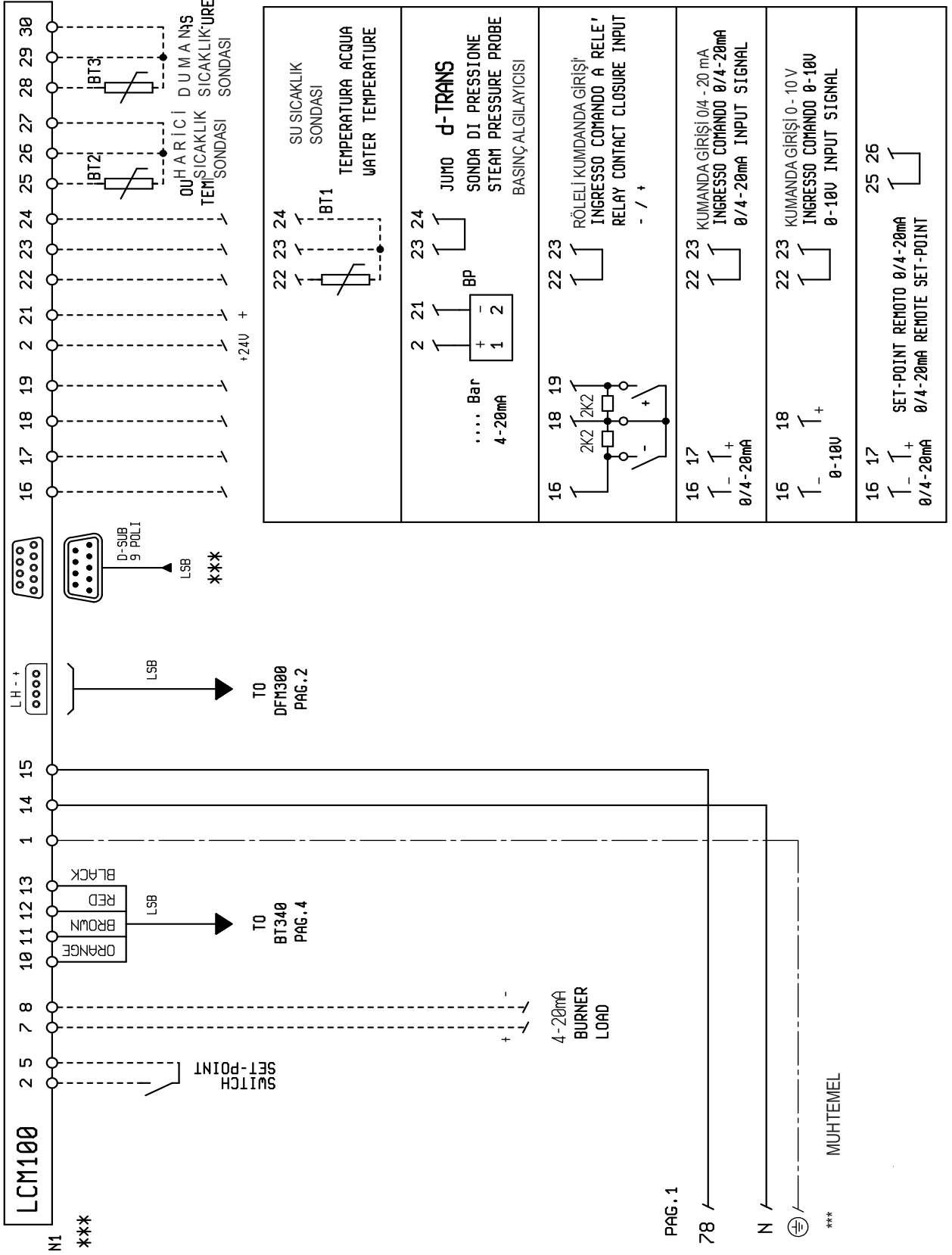






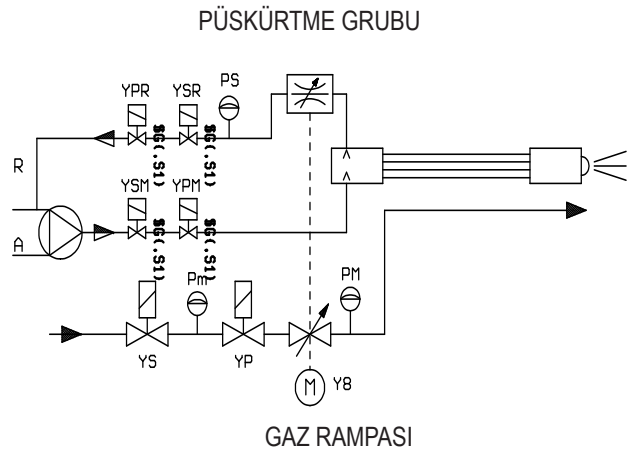






TUR	
A1	CİHAZ
A8	İKİ YAKIT İÇİN EKİPMAN
B1	UV FOTOSELİ
F1	TERMİK RÖLE
F2	TERMİK RÖLE POMPASI
FU1	SİGORTALAR
H0	HARİCİ BLOKAJ UYARI LAMBASI
H1	ÇALIŞMA SİNYALİ
H10	MAZOT İŞLEYİŞ İKAZ IŞIĞI
H11	GAZ ÇALIŞMA GÖSTERGESİ
H2	KAPATMA GÖSTERGESİ A1
H7	MOTOR FANI BLOKAJ UYARI LAMBASI
H8	POMPA MOTOR TERMİK BLOKAJ UYARI LAMBASI
K2	POMPA MOTORU YÜKLENİCİSİ
KL	HAT KONTAKTÖR
KD	HARİCİ ÜÇGEN
KY	YILDIZ KONTAKTÖR
KT	ZAMANLAYICI
MP	POMPA MOTORU
MV	FAN MOTORU
N1	ELEKTRONİK REGÜLATÖR
P M	MAKSİMUM BASINÇ
PA	HAVA PRESOSTATI
Pm	MİNİMUM BASINÇ
PS	GAZ EMNİYET PRESOSTATI
S1	AÇMA/KAPAMA ANAHTARI
S2	AÇMA DÜĞMESİ
S6	GAZ-YAĞ SELEKTÖRÜ
S24	AÇMA / KAPAMA
SG	ANA ŞALTER
TA	ATEŞLEME TRANSFORMATÖRÜ
TC	TERMOSTAT KAZANI
TS	GÜVENLİK TERMOSTATI
X1	BRÜLÖR GİRİŞLERİ
X16	SERVİS GİRİŞİ
Y8	GAZ / MAZOT SERVOMOTORU
Y10	HAVA SERVOMOTORU
YP	ANA ELEKTRİKLİ VALF
YPM	ANA GİDİŞ ELEKTROVALFİ
YPR	ANA DÖNÜŞ ELEKTROVALFİ
YS	EMNİYET ELEKTRO VALFİ
YSM	GİDİŞ EMNİYET ELEKTROVALFİ
YSR	DÖNÜŞ EMNİYET ELEKTROVALFİ

DIN / IEC	TUR
GNYE	YEŞİL / SARI
BU	MAVİ
BN	KAHVERENGİ
BK	SİYAH
BK*	BASKILI SİYAH BORU



- Перед началом эксплуатации горелки внимательно ознакомьтесь с содержанием данной брошюры “ПРЕДУПРЕЖДЕНИЯ ПОЛЬЗОВАТЕЛЮ ПО БЕЗОПАСНОЙ ЭКСПЛУАТАЦИИ ГОРЕЛКИ”, которая входит в комплект инструкции, и, которая является неотъемлемой и основной частью изделия.
- Перед пуском горелки или выполнением техобслуживания необходимо внимательно прочитать инструкции.
- Работы на горелке и в системе должны выполняться квалифицированными работниками.
- Перед осуществлением любых работ электрическое питание необходимо выключить.
- Работы, выполненные неправильным образом, могут привести к опасным авариям.
- Срок службы горелок, изготовленных нашей Firmой, составляет не менее 10 лет, при соблюдении нормальных рабочих условий, и при проведении регулярного после-продажного обслуживания.

Декларация о соответствии



CE0085:

DVGW CERT GmbH, Josef-Wirmer Strasse 1-3 – 53123 Бонн (Германия)

Заявляем, что наши дутьевые жидкотопливные, газовые и комбинированные горелки бытового или промышленного использования серии: BPM...; BGN...; BT...; BTG...; BTL...; TBML...; Comist...; GI...; GI... Mist; Minicomist...; PYR...; RiNOx...; Spark...; Sparkgas...; TBG...; TBL...; TS...; IBR...; IB...

(Вариант: ... LX, с низкими выбросами оксидов азота) соответствуют минимальным требованиям, установленным Директивами ЕС:

- 2009/142/CE (Директива о приборах сжигания газообразного топлива)
- 2004/108/CE (Директива об электромагнитной совместимости)
- 2006/95/CE (Директива о низковольтных системах)
- 2006/42/CE (Директива о машинном оборудовании)

и соответствуют требованиям европейских стандартов:

- EN 676:2003+A2:2008 (для газовых и комбинированных горелок, в отношении газа)
- EN 267:2009 (для дизельных и комбинированных горелок, в отношении дизельного топлива)

Ченто, 23 июля 2013 г.

Начальник Отдела
Исследований и Разработок
Инж. Паоло Болоньин

Директор-распорядитель
и Генеральный директор
Доктор Риккардо Фава

	ОПАСНОСТЬ		ПРЕДУПРЕЖДЕНИЕ		ВНИМАНИЕ!		ИНФОРМАЦИЯ
--	------------------	--	-----------------------	--	------------------	--	-------------------

ТЕХНИЧЕСКИЕ ХАРАКТЕРИСТИКИ.....	4
СОЕДИНЕНИЕ ГОРЕЛКИ С КОТЛОМ.....	8
ЭЛЕКТРИЧЕСКИЕ СОЕДИНЕНИЯ.....	8
СИСТЕМА ПОДАЧИ ТОПЛИВА (ДИЗЕЛЬНОГО)	10
МОНТАЖ ГАЗОВОЙ РАМПЫ	11
МОНТАЖ УЗЛА ПЕТЛИ.....	11
РОЗЖИГ И РЕГУЛИРОВКА ГОРЕЛКИ НА ДИЗЕЛЬНОМ ТОПЛИВЕ	13
РОЗЖИГ И РЕГУЛИРОВКА ПРИ РАБОТЕ НА ГАЗЕ МЕТАНЕ.....	16
ТЕХНИЧЕСКОЕ ОБСЛУЖИВАНИЕ	20
ИСПОЛЬЗОВАНИЕ ГОРЕЛКИ	21
ЭЛЕКТРИЧЕСКАЯ СХЕМА.....	22



МЕРЫ ПРЕДОСТОРОЖНОСТИ ДЛЯ БЕЗОПАСНОЙ ЭКСПЛУАТАЦИИ

ВВЕДЕНИЕ

Эти предупреждения будут способствовать безопасному использованию компонентов в отопительных системах гражданского назначения и в системах производства горячей воды для хозяйственных нужд путём указания наиболее подходящих компонентов, с целью предотвращения таких ситуаций, когда по причине неправильного монтажа, ошибочного, несвойственного или необъяснимого использования изначальные безопасные характеристики данных компонентов нарушаются. Целью распространения предупреждений данного справочника является и обращение внимания пользователей на проблемы безопасности благодаря использованию хотя и технической терминологии, но доступной каждому. С конструктора снимается всякая договорная и внедоговорная ответственность за ущерб, нанесённый оборудованию по причине неправильной установки, использования и, в любом случае, несоблюдения инструкций, данных самим конструктором.

ОБЩИЕ ПРЕДУПРЕЖДЕНИЯ

- Инструкция по эксплуатации является неотъемлемой частью изделия и должна всегда передаваться в руки пользователя. Внимательно прочитайте предупреждения в инструкции, так как в них содержатся важные указания по установке, эксплуатации и техобслуживанию в условиях полной безопасности. Бережно храните инструкцию для дальнейших консультаций.
- Установку должен выполнять профессионально подготовленный специалист с соблюдением действующих норм и в соответствии с инструкциями, данными конструктором. Под профессионально подготовленным специалистом нужно понимать работника, который технически компетентен в области компонентов отопительных систем гражданского назначения и систем с подготовкой горячей воды для хозяйственных нужд и, в частности, сервисные центры, авторизованные конструктором. Неправильно выполненная установка может нанести ущерб людям, животным или предметам, за что конструктор ответственности не несёт.
- Сняв упаковку, проверьте целостность содержимого. В случае появления сомнений рекомендуется обратиться к поставщику, а само изделие не трогать. Элементы упаковки: деревянная клеть, гвозди, скобы, пластиковые пакеты, пенополистирол и т.д. нельзя оставлять в доступном для детей месте, так как они представляют собой источник опасности. Кроме того, для предотвращения загрязнения окружающей среды их необходимо собрать и отвезти в специальные пункты, предназначенные для этой цели.
- Перед выполнением любой операции по чистке или техобслуживанию необходимо отключить изделие от сети питания при помощи выключателя системы и/или используя специальные отсечные устройства.
- В случае неисправности и/или неисправного функционирования аппарата отключите его. Не пытайтесь самостоятельно починить его. Следует обратиться за помощью исключительно к квалифицированному специалисту. Возможный ремонт изделия должен быть выполнен только в сервисном центре, который получил разрешение от завода "BALTUR", и с использованием исключительно оригинальных запасных частей. Несоблюдение данного условия может нарушить безопасность аппарата. Для обеспечения эффективности аппарата и его исправного функционирования необходимо, чтобы квалифицированные работники осуществляли регулярное техобслуживание с соблюдением указаний, данных конструктором.
- При продаже изделия или его передаче в другие руки, а также в случае, когда Вы переезжаете и оставляете изделие, убедитесь в том, что инструкция всегда находится с аппаратом. Это необходимо для того, чтобы новый хозяин и/или монтажник смогли обратиться к ней в случае потребности.
- Для всех аппаратов с дополнительными опциями или комплектами, включая электрические, необходимо использовать только оригинальные аксессуары.

ГОРЕЛКИ

- Данный аппарат должен использоваться исключительно по **предусмотренному назначению**: вместе с котлом, теплогенератором, печью или с другой подобной топкой, которые размещаются в защищённом от атмосферных факторов помещении. Любой другой вид использования считается несвойственным и, следовательно, опасным.
- Горелка должна устанавливаться в подходящем помещении, имеющем минимальное количество вентиляционных отверстий, как предписано действующими нормативами, и в любом случае, достаточными для получения качественного горения.
- Не загромождайте и не уменьшайте вентиляционные отверстия помещения, в котором стоит горелка или котёл, с целью предупреждения опасных ситуаций, таких как формирование токсичных и взрывоопасных смесей.
- Перед выполнением подключений горелки проверьте, что данные на табличке соответствуют данным питающей сети (электрическая, газовая, для дизельного или другого вида топлива).
- Не дотрагивайтесь до горячих деталей горелки, обычно находящихся вблизи пламени и системы подогрева топлива, которые нагреваются во время функционирования и остаются под температурой даже после недлительного останова горелки.
- В случае если принято решение об окончательном неиспользовании горелки необходимо, чтобы квалифицированный работник выполнил следующие операции:
 - Отключил электрическое питание путём отсоединения питательного кабеля главного выключателя.
 - Прекратил подачу топлива при помощи ручного отсечного крана и вынул маховички управления с гнезд. Обезопасил те детали, которые являются потенциальными источниками опасности.

Особые предупреждения

- Убедитесь в том, что человек, выполнивший установку горелки, прочно зафиксировал её к теплогенератору так, чтобы образовывалось пламя внутри камеры сгорания самого генератора.
- Перед розжигом горелки и хотя бы раз в год необходимо, чтобы квалифицированный работник выполнил следующие операции:
 - Настроил расход топлива горелки, учитывая требуемую мощность теплогенератора.
 - Отрегулировал подачу воздуха для горения и получил такое значение КПД, которое хотя бы равнялось минимальному установленному действующими нормативами.
 - Осуществил контроль горения с тем, чтобы предотвратить образование вредных и загрязняющих окружающую среду несгоревших продуктов в размерах, превышающих допустимые пределы, установленные действующими нормативами.
 - Проверил функциональность регулировочных и защитных устройств.
 - Проверил правильное функционирование трубопровода, выводящего продукты горения.
 - По завершению операций по регулировке проверил, что все механические стопорные системы регулировочных устройств хорошо затянуты.
 - Убедился в том, что в помещении, где стоит котёл, имеются необходимые инструкции по эксплуатации и техобслуживанию горелки.
- В случае частых блокировок горелки не следует заклиниваться на восстановлении функционирования вручную, лучше обратиться за помощью к специалистам для разъяснения аномальной ситуации.
- Работать с горелкой и заниматься техобслуживанием должен исключительно квалифицированный персонал, который будет действовать в соответствии с предписаниями действующих нормативов.

ЭЛЕКТРИЧЕСКОЕ ПИТАНИЕ

- Электрической безопасности аппарата можно достичь только при его правильном соединении с надёжным заземляющим устройством, которое выполняется с соблюдением действующих норм по технике безопасности. Необходимо в обязательном порядке проверить это основное требование по обеспечению безопасности. При возникающих сомнениях необходимо запросить у квалифицированного работника, чтобы он произвёл тщательный осмотр электрической установки, так как конструктор не отвечает за возможный ущерб, нанесённый по причине отсутствия заземления установки.
- Пусть квалифицированный специалист проверит соответствие электрической установки максимально поглащаемой мощности аппарата, которая указывается на его табличке, в частности, необходимо убедиться в том, что сечение кабелей системы подходит поглащаемой мощности аппарата.
- Для главного питания аппарата от электрической сети не разрешается использовать переходники, многоконтактные соединители и/или удлинители.
- Для подсоединения к сети необходимо предусмотреть выключатель всех полюсов с расстоянием размыкания контактов равным или превышающим 3 мм, в соответствии с требованиями действующих норм безопасности.
- Зачистить кабель питания от внешней изоляции, оголив его исключительно на длину, необходимую для выполнения соединения, избегая таким образом, чтобы провод мог войти в контакт с металлическими частями.
- Для соединения с сетью необходимо предусмотреть многополюсный выключатель, как предписано действующими нормативами по безопасности.
- Электрическое питание горелки должно предусматривать соединение нейтрали с землёй. При проверки тока ионизации в тех условиях, когда нейтраль не соединена с землёй, необходимо подсоединить между клеммой 2 (нейтраль) и землёй контур RC.
- Пользование любым компонентом, потребляющим электроэнергию, приводит к соблюдению некоторых важных правил, а именно:
 - Не дотрагиваться до аппарата мокрыми или влажными частями тела и/или если ноги влажные.
 - Не тянуть электрические кабели.
 - Не выставлять аппарат под воздействие атмосферных факторов, таких как дождь, солнце и т. д., за исключением тех случаев, когда это предусмотрено.
 - Не разрешать использовать аппарат детям или людям без опыта.
- Пользователь не должен сам заменять питающий кабель аппарата. При повреждении кабеля, выключите аппарат и для его замены обратитесь за помощью исключительно к квалифицированным работникам.
- Если принято решение о неиспользовании аппарата в течении определённого отрезка времени уместно отключить электрический выключатель, питающий все компоненты установки (насосы, горелка и т. д.).

ПОДАЧА ГАЗА, ДИЗЕЛЬНОГО ИЛИ ДРУГОГО ВИДА ТОПЛИВА ОБЩИЕ ПРЕДУПРЕЖДЕНИЯ

- Установку горелки должен выполнять квалифицированный специалист в соответствии с действующими стандартами и предписаниями, так как неправильно выполненная работа может нанести ущерб людям, животным или предметам, за что конструктор ответственности не несёт.
- Перед началом монтажа следует тщательно очистить внутреннюю часть топливоподводящих трубопроводов для того, чтобы удалить

возможные остатки производства, которые могут нарушить исправное функционирование горелки.

- Перед первым розжигом аппарата попросите квалифицированного специалиста, чтобы он выполнил следующие контрольные операции:
 - Проконтролировал герметичность внутренней и наружной части топливоподводящих трубопроводов;
 - Отрегулировал расход топлива с учётом требуемой мощности горелки;
 - Проверил, что используемое топливо подходит для данной горелки;
 - Проверил, что давление подачи топлива входит в пределы значений, приведённых на табличке горелки;
 - Проверил, что размеры топливоподающей системы подходят к требуемой производительности горелки и присутствуют все защитные и контрольные устройства, использование которых предусмотрено действующими нормативами.
- В случае если принято решение о неиспользовании горелки на определённый отрезок времени необходимо перекрыть кран или топливоподводящие краны.
- **Особые предупреждения по использованию газа**
- Необходимо, чтобы квалифицированный специалист проконтролировал, что
 - подводящая линия и рампа соответствуют действующим нормам.
 - все газовые соединения герметичны;
- Не используйте газовые трубы для заземления электрических аппаратов!
- Не оставляйте включённым аппарат, когда Вы им не пользуетесь - всегда закрывайте газовый кран.
- В случае длительного отсутствия пользователя аппарата необходимо закрыть главный кран, подающий газ к горелке.
- Почувствовав запах газа:
 - не включайте электрические выключатели, телефон или любые другие искрообразующие предметы;
 - сразу же откройте двери и окна для проветривания помещения;
 - закройте газовые краны;
 - обратитесь за помощью к квалифицированному специалисту.
- Не загромождайте вентиляционные отверстия в помещении газового аппарата для предотвращения опасных ситуаций, таких как образование токсичных и взрывоопасных смесей.

ДЫМОХОДЫ ДЛЯ КОТЛОВ С ВЫСОКИМ КПД И ИМ ПОДОБНЫЕ

Уместно уточнить, что котлы с высоким КПД и им подобные, выбрасывают в каминные продукты сгорания, которые имеют относительно небольшую температуру. Для приведённой выше ситуации обычно подбираемые традиционные дымоходы (сечение и теплоизоляция) могут не гарантировать исправное функционирование, потому что значительное охлаждение продуктов сгорания при прохождении дымохода, вероятнее всего, может вызвать опускание температуры даже ниже точки конденсатообразования. В дымоходе, который работает в режиме конденсатообразования, на участке выпускного отверстия присутствует сажа если сжигается дизельное топливо или мазут, а, когда сжигается газ (метан, СНГ и т. д.), вдоль дымохода выступает конденсатная вода. Из вышеизложенного следует вывод, что дымоходы, соединяемые с котлами высокого КПД и им подобные, должны быть правильно подобранными (сечение и теплоизоляция) с учётом специфического назначения для предотвращения отрицательной ситуации, описанной выше.

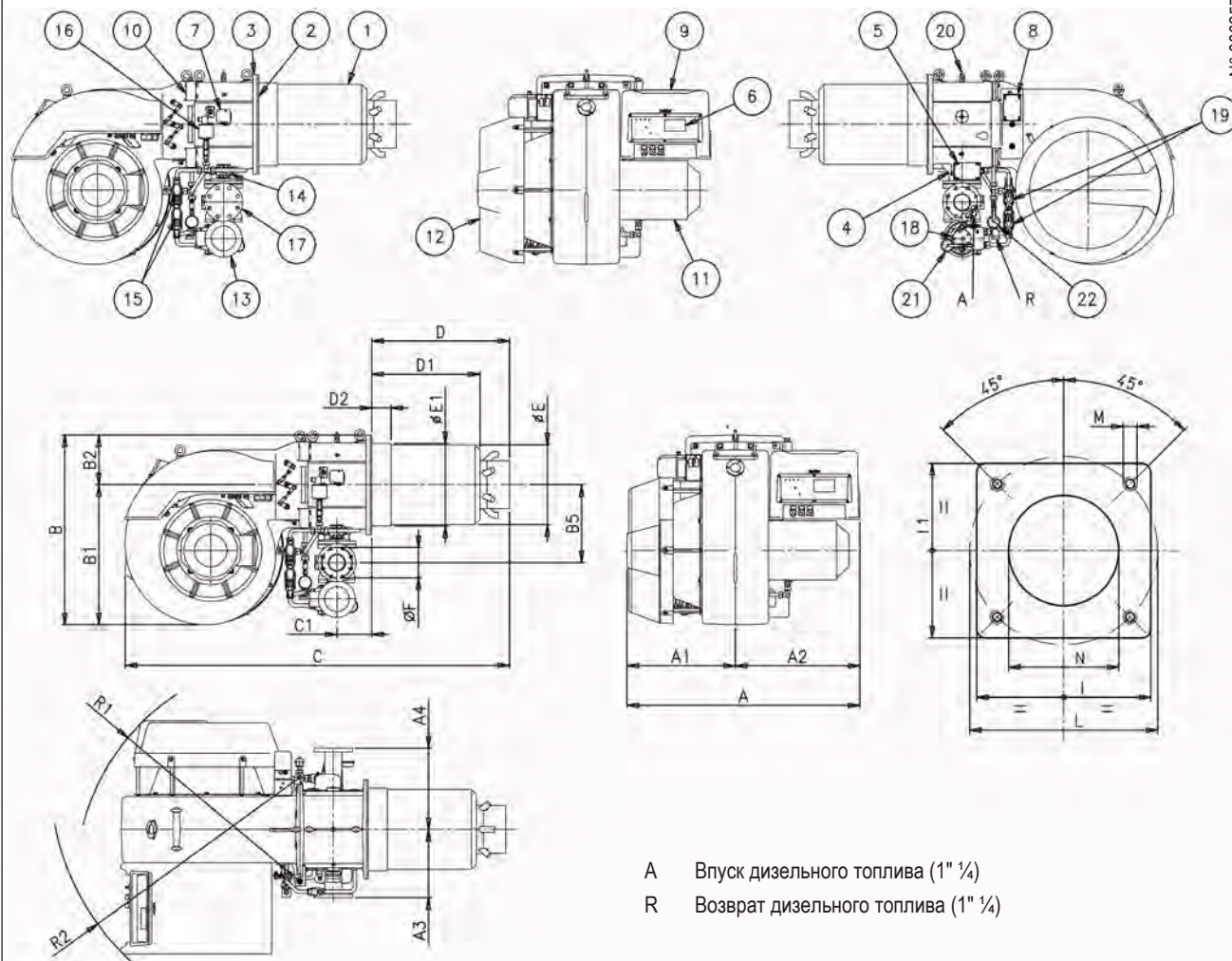
ТЕХНИЧЕСКИЕ ХАРАКТЕРИСТИКИ

			ТВМЛ 600 МЕ	ТВМЛ 800 МЕ	
Метан	ТЕПЛОВАЯ МОЩНОСТЬ	МАКС	кВт	6000	8000
		МИН.	кВт	800	800
ВЫБРОСЫ ОКСИДОВ АЗОТА			< 80 (Класс III по EN 676)		
ДАВЛЕНИЕ			МАКС	мбар	700
мазута	ТЕПЛОВАЯ МОЩНОСТЬ	МАКС	кВт	6000	8000
		МИН.	кВт	2000	2000
	ВЫБРОСЫ ОКСИДОВ АЗОТА			< 185 (Класс II в соответствии с нормативом EN 267)	
МАКСИМАЛЬНАЯ ВЯЗКОСТЬ ТОПЛИВА			1,5° E — 20° C		
РЕЖИМ РАБОТЫ			ЭЛЕКТРОННАЯ МОДУЛЯЦИЯ «ВТ 340»		
ТРАНСФОРМАТОР РОЗЖИГА			2 x 5 кВ — 30 мА — 230 В — 50/60 Гц		
МОТОР ВЕНТИЛЯТОРА		50 Гц	11 кВт — 2390 об/мин.	15 кВт — 2390 об/мин.	
		60 Гц	15 кВт — 3487 об/мин.	18,5 кВт — 3515 об/мин.	
Двигатель насоса		50 Гц	2,2 кВт — 1430 об/мин.		
		60 Гц	2,6 кВт — 1710 об/мин.		
ПОТРЕБЛЯЕМАЯ ЭЛЕКТРИЧЕСКАЯ МОЩНОСТЬ*		50 Гц	14 кВт	18 кВт	
		60 Гц	18,4	21,9	
НАПРЯЖЕНИЕ		50 Гц	3 Н ~ 400 В — 50 Гц		
		60 Гц	3 Н ~ 380 В — 60 Гц		
КЛАСС ЗАЩИТЫ			IP54		
ДАТЧИК ПЛАМЕНИ			ФОТОРЕЗИСТОР		
УРОВЕНЬ ШУМА**			дБА	84,0	83,5
ВЕС			кг	600	640

*) Суммарное потребление тока на стадии запуска при включенном трансформаторе розжига.

**) Звуковое давление измерено в лаборатории производителя с горелкой, установленной на испытательном котле и работающей на максимальной номинальной мощности.

	ТВМЛ 600 МЕ	ТВМЛ 800 МЕ
ИЗОЛЯЦИОННАЯ ПРОКЛАДКА	2	
ШПИЛЬКИ	N° 4 M20	
ШЕСТИГРАННЫЕ ГАЙКИ	N° 4 M20	
ПЛОСКИЕ ШАЙБЫ	Диам. 20 — 4 шт.	
ГИБКИЕ ШЛАНГИ	1 шт. — 1"¼	
ТОПЛИВНЫЙ ФИЛЬТР	2 шт. — 1"¼ x 1"¼	



A Впуск дизельного топлива (1" ¼)
R Возврат дизельного топлива (1" ¼)

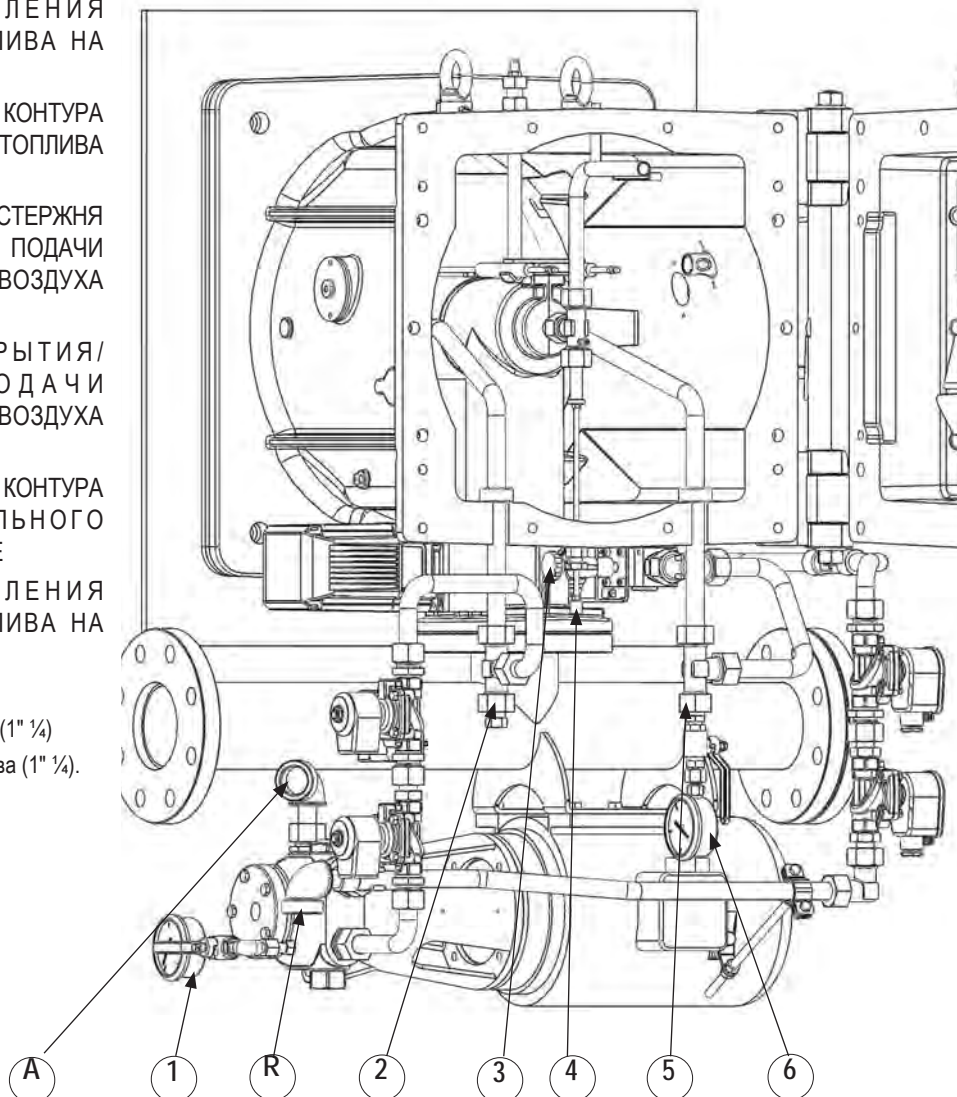
1	Головка горения
2	Прокладка
3	Соединительный фланец горелки
4	Дроссельная заслонка регулировки газа
5	Сервопривод регулировки газа/дизельного топлива
6	Дисплей оборудования
7	Воздушный прессостат
8	Сервопривод регулировки воздуха
9	Электрический щит
10	Петля
11	Мотор вентилятора
12	Всасывающий воздухозаборник

13	Двигатель насоса
14	Регулятор подачи дизельного топлива
15	Электроклапан возврата дизельного топлива
16	Прессостат дизельного топлива
17	Фланец соединения газовой ramпы (левосторонняя или правосторонняя установка)
18	Насос дизельного топлива
19	Электроклапан подачи дизельного топлива
20	Крепежный винт соединения газ/штуцер отбора давления
21	Манометр давления дизельного топлива на подаче
22	Манометр давления дизельного топлива на возврате

mod.	A	A1	A2	A3	A4	B	B1	B5	C	C1	D	D1	D2	E Ø	E1 Ø	F Ø	R1	R2	I	I1	L Ø	M	N Ø
TBML 600 ME	1230	570	660	335	425	1000	740	260	2020	190	715	570	100	418	432	DN80	1200	1310	520	520	594	M20	440
TBML 800 ME	1230	570	660	335	425	1000	740	260	2020	190	715	570	100	418	432	DN80	1200	1310	520	520	594	M20	440

- 1 МАНОМЕТР ДАВЛЕНИЯ ДИЗЕЛЬНОГО ТОПЛИВА НА ПОДАЧЕ
- 2 ГАЙКА ОПОРОЖНЕНИЯ КОНТУРА ПОДАЧИ ДИЗЕЛЬНОГО ТОПЛИВА К ФОРСУНКЕ
- 3 СТОПОР БЛОКИРОВКИ СТЕРЖНЯ ОТКРЫТИЯ/ЗАКРЫТИЯ ПОДАЧИ ДОПОЛНИТЕЛЬНОГО ВОЗДУХА К ФОРСУНКЕ
- 4 СТЕРЖЕНЬ ОТКРЫТИЯ/ЗАКРЫТИЯ ПОДАЧИ ДОПОЛНИТЕЛЬНОГО ВОЗДУХА К ФОРСУНКЕ
- 5 ГАЙКА ОПОРОЖНЕНИЯ КОНТУРА ВОЗВРАТА ДИЗЕЛЬНОГО ТОПЛИВА К ФОРСУНКЕ
- 6 МАНОМЕТР ДАВЛЕНИЯ ДИЗЕЛЬНОГО ТОПЛИВА НА ВОЗВРАТЕ

- A Впуск дизельного топлива (1" ¼)
 R Возврат дизельного топлива (1" ¼).



ОБЛАСТЬ ПРИМЕНЕНИЯ



i Рабочие диапазоны получены на испытательных котлах, выполненных в соответствии с требованиями нормативов EN676. Эти диапазоны являются приблизительными при подборе горелки к котлу. Для гарантирования нормальной работы горелки размеры камеры сгорания должны соответствовать требованиям действующих нормативов, в противном случае обратитесь за помощью к изготовителю.

--- Минимальная регулируемая мощность работы на дизельном топливе для обеих моделей

КОНСТРУКТИВНЫЕ ХАРАКТЕРИСТИКИ

Горелка состоит из:

- Корпуса вентилятора из легкого сплава алюминия.
- Центробежного вентилятора с высокими эксплуатационными характеристиками.
- Всасывающего воздухозаборника.
- Регулируемой головки горения с огневой трубой из нержавеющей стали
- Окошка для контроля пламени.
- Трехфазного электрического двигателя для задействования вентилятора.
- Реле давления воздуха, гарантирующего наличие воздуха для горения.
- Газовой рампы с клапаном регулировки, функционирования и безопасности, реле минимального и максимального давления, регулятором давления и газовым фильтром.
- Регулировки подачи топлива посредством серводвигателя, который управляет дроссельным клапаном газа и регулятором подачи дизельного топлива.
- Автоматического блока управления и контроля горелки с микропроцессором (электронный кулачок) в соответствии с требованиями европейского норматива EN298, оснащенного блоком контроля герметичности клапанов. Дисплея отображения рабочей последовательности и кода ошибки в случае блокировки горелки.
- Ультрафиолетового фотодатчика, контролирующего наличие пламени.
- Щита управления с выключателями пуска/останова и выключения горелки, селектором топлива, контрольными лампочками функционирования и блокировки, клавиатурой программирования электронного кулачка
- Электрооборудования класса защиты IP54.

ФУНКЦИОНАЛЬНЫЕ ТЕХНИЧЕСКИЕ ХАРАКТЕРИСТИКИ

- Комбинированная горелка может работать поочередно на природном газе или дизельном топливе (вязкостью не более 1,5° E при 20° C).
- Имеет сертификат CE в соответствии с европейским стандартом EN 676 для природного газа и EN 267 для дизельного топлива.
- Функционирование в двухступенчатом прогрессивном/модуляционном режиме для обоих видов топлива.
- Электронное оборудование управления и контроля Lamtec, мод. BT 340, оснащенное микропроцессором.
- Регулирование расхода топлива/воздуха горения посредством двух сервоприводов, управляемых электронными устройствами.
- Головка горения с частичной рециркуляцией сожженных газов и низкими выбросами NOx (класс III по европейскому нормативу EN 676 для природного газа, класс II по европейскому нормативу EN 267 для дизельного топлива).
- Шарнир, открывающийся влево и вправо для более легкого доступа к узлу смешения без отсоединения горелки от котла.
- Регулировка минимального и максимального расхода воздуха через электрический шаговый сервопривод с закрытием заслонки при паузе для того, чтобы тепло не рассеивалось в дымоходе.
- Функция проверки герметичности клапанов согласно европейскому стандарту EN676 и функция регулирования мощности (чтобы узнать подробнее о работе оборудования BT 340, внимательно прочитайте инструкции по эксплуатации, приведенные в КРАТКОМ РУКОВОДСТВЕ, поставляемом с горелкой).
- Устройство регулировки подачи дополнительного воздуха для охлаждения форсунки дизельного топлива

СОЕДИНЕНИЕ ГОРЕЛКИ С КОТЛОМ

МОНТАЖ БЛОКА ГОЛОВКИ

Убедитесь в том, что головка горения вошла в топку на величину, указанную изготовителем котла.

Перед установкой горелки на котел необходимо удостовериться, что форсунка соответствует требуемой мощности, в противном случае заменить ее, следуя указаниям диаграммы стр. 15

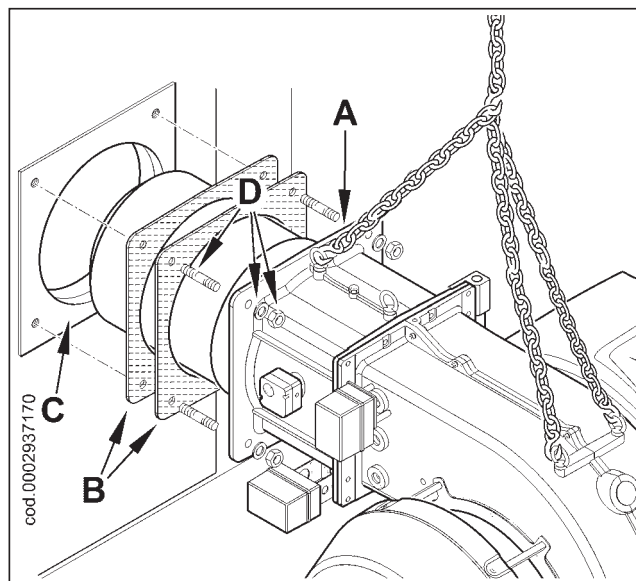
Для перемещения горелки рекомендуется прицепить к рым-болтам (см. рис. 0002937170) специальные подъемные приспособления.

Закрепите горелку к дверце котла следующим образом:

- Установите на соединительный фланец горелки (A) две изолирующие прокладки (B)
- Закрепите фланец (A) на котле (C) посредством шпилек, шайб и гаек из комплекта поставки (D).



Полностью заплombируйте подходящим материалом расстояние между стаканом горелки и огнеупорным отверстием внутри дверцы котла.

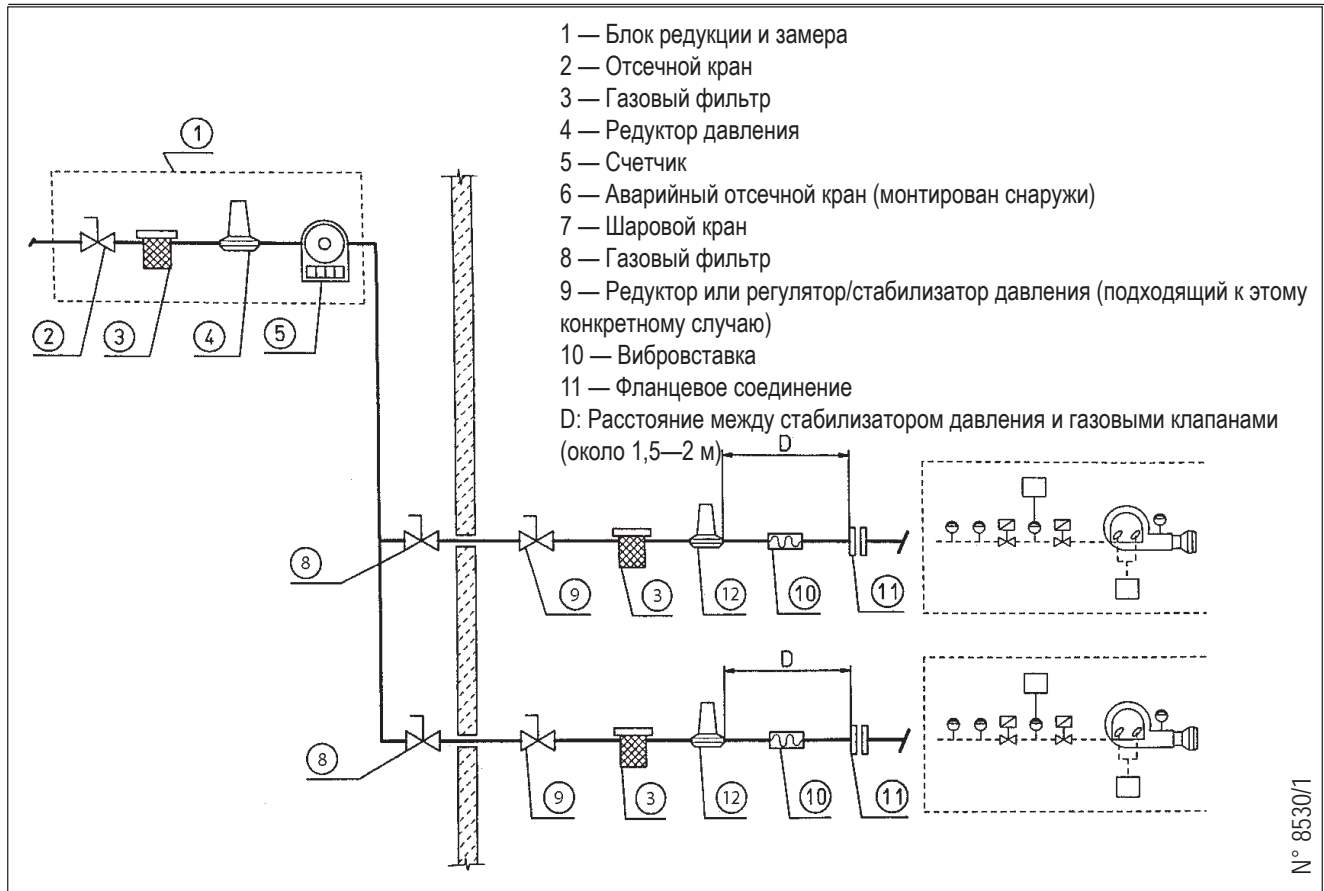


ЭЛЕКТРИЧЕСКИЕ СОЕДИНЕНИЯ

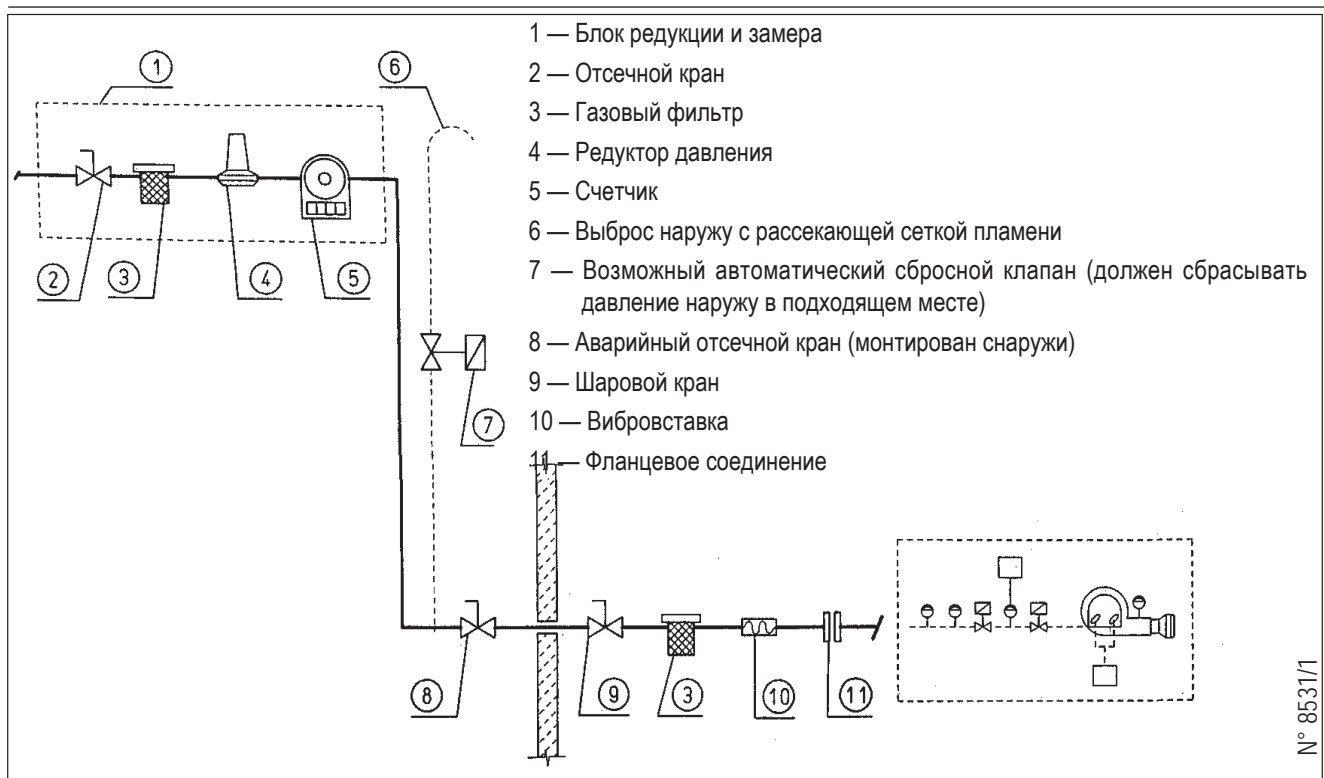
Рекомендуется выполнять все соединения при помощи гибкого электрического провода. Электрические линии должны быть удалены от горячих частей. Проверьте, чтобы электрическая линия, к которой будет подключена горелка, имела надлежащие напряжение и частоту. Проверьте, чтобы главная линия, соответствующий выключатель с предохранителями (обязательный компонент) и ограничитель (опциональный компонент) могли выдерживать максимальный ток, потребляемый горелкой.

Более подробную информацию см. на электрических схемах каждой конкретной горелки.

ПРИНЦИПИАЛЬНАЯ СХЕМА ДЛЯ ПОДСОЕДИНЕНИЯ НЕСКОЛЬКИХ ГОРЕЛОК К ГАЗОВОЙ СЕТИ СРЕДНЕГО ДАВЛЕНИЯ



ПРИНЦИПИАЛЬНАЯ СХЕМА ДЛЯ ПОДСОЕДИНЕНИЯ НЕСКОЛЬКИХ ГОРЕЛОК К ГАЗОВОЙ СЕТИ СРЕДНЕГО ДАВЛЕНИЯ



СИСТЕМА ПОДАЧИ ТОПЛИВА (ДИЗЕЛЬНОГО)

Насос горелки должен получать топливо от подходящей системы питания с помощью вспомогательного насоса, которая может быть оснащена регулятором давления, регулируемого от 0,5 до 3 бар. В этом случае величина давления подачи топлива на насос горелки (0,5-3 бар) должна оставаться одинаковой и когда горелка остановлена, и когда горелка работает при максимальном расходе, требуемом котлом. Как правило, такой контур можно реализовать без регулятора давления согласно приведенной ниже схеме. Контур подачи топлива должен быть выполнен в соответствии со схемой 8666/3.

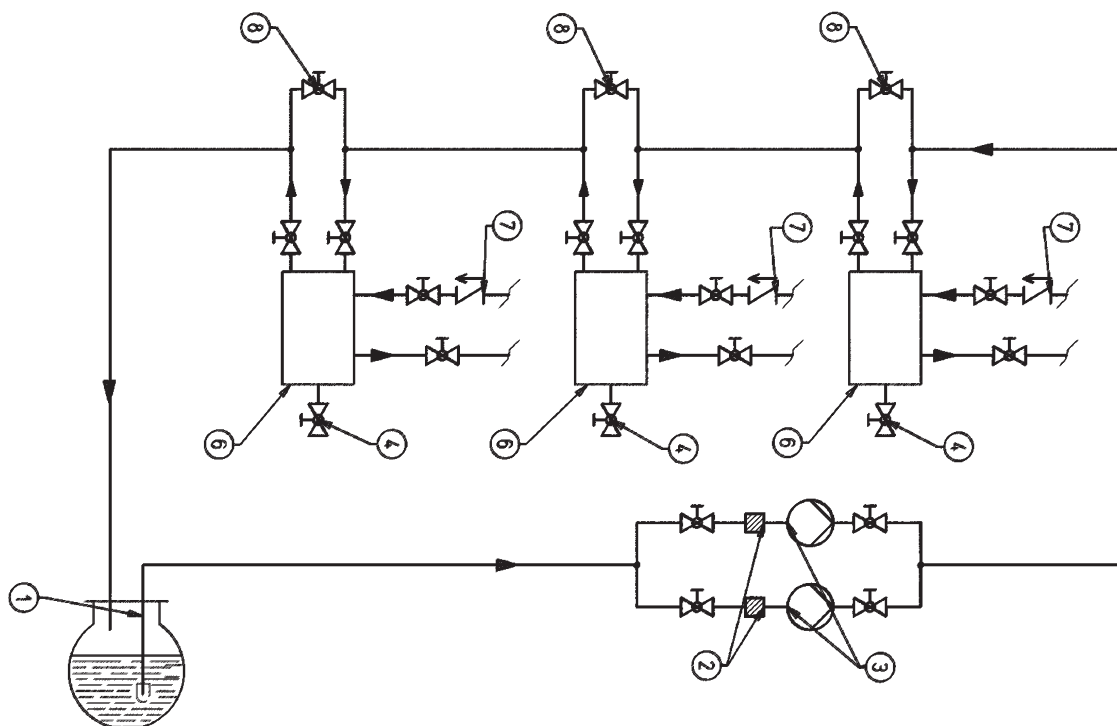
Подбор трубопроводов зависит от их длины и от производительности используемого насоса. В предписаниях производителя приводятся только самые необходимые сведения для обеспечения нормальной работы оборудования.

Указания, обязательные для соблюдения, связанные со стандартами против загрязнения окружающей среды, а также с местными нормативами, необходимо найти в конкретных изданиях, действительных на данный момент.

УТОЧНЕНИЯ ПО РОЗЖИГУ КОМБИНИРОВАННОЙ ГОРЕЛКИ

Рекомендуется начинать первый розжиг на жидком топливе, так как расход в этом случае обусловлен имеющейся в распоряжении форсункой, в то время как расход горелки на метане может быть изменен как угодно посредством регулятора расхода.

ПРИНЦИПАЛЬНАЯ ГИДРАВЛИЧЕСКАЯ СХЕМА ПОДАЧИ ТОПЛИВА ОДНОЙ ИЛИ НЕСКОЛЬКИМ ДВУХСТУПЕНЧАТЫМ/МОДУЛЯЦИОННЫМ ГОРЕЛКАМ, РАБОТАЮЩИМ НА ДИЗЕЛЬНОМ ТОПЛИВЕ С МАКСИМАЛЬНОЙ НОМИНАЛЬНОЙ ВЯЗКОСТЬЮ 5° Е ПРИ 50° С



Емкости для рекуперации топлива (диаметром ~ 150 мм и высотой ~ 400 мм) должны устанавливаться как можно ближе к горелке на высоте на 0,5 м выше насоса горелки.

- 1 — Главная цистерна
- 2 — Фильтр
- 3 — Циркуляционный насос
- 4 — Слив воды и системы
- 6 — Емкость для рекуперации топлива и дегазатор
- 7 — Одноходовой клапан
- 8 — Байпас (нормально закрыт)

8666/3

МОНТАЖ ГАЗОВОЙ РАМПЫ

Газовая раampa, сертифицированная в соответствии с нормативом EN 676, поставляется отдельно от горелки.

Возможны различные варианты монтажа (А, В) газовой раампы. Выберите наиболее рациональный вариант, учитывая структуру рабочего помещения котла и откуда идёт газовый трубопровод.

МОНТАЖ УЗЛА ПЕТЛИ

Горелка оснащена двусторонней петлей, соответственно можно менять сторону открывания корпуса вентилятора. Горелка поставляется в стандартной заводской комплектации с петлей, установленной с правой стороны. Для обеспечения максимального открытия, что, в свою очередь, позволит облегчить осуществление операций по техническому обслуживанию, рекомендуется установить петлю со стороны горелки, противоположной положению монтажа газовой раампы. В случае необходимости монтажа петли с левой стороны следуйте нижеприведенным указаниям:

- После монтажа горелки на котле отвинтите крепежные винты N и откройте корпус вентилятора на величину, достаточную для снятия штифта центровки E (0002937220).
- Снова закройте корпус, завинтив винты N, и снимите две петли F и штифт G.
- Затем снимите 3 винта N и соответствующие шайбы с левой стороны фланца и установите их с правой стороны, используя освобожденные после снятия петель отверстия.
- Установите узел петель с левой стороны горелки (0002937230).

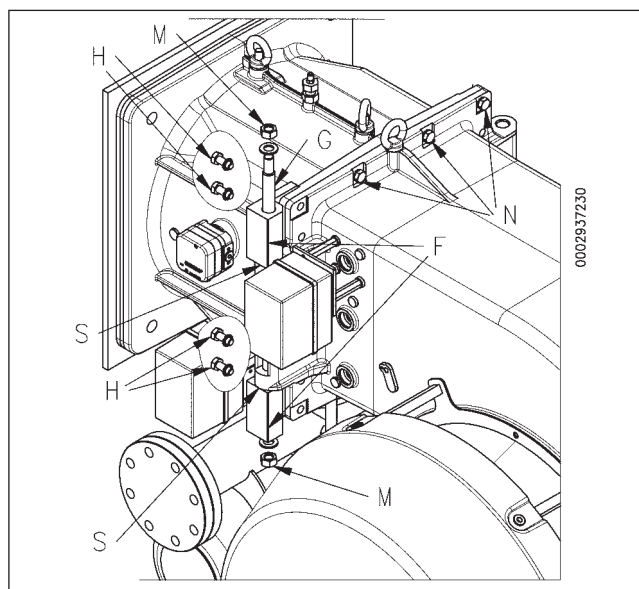
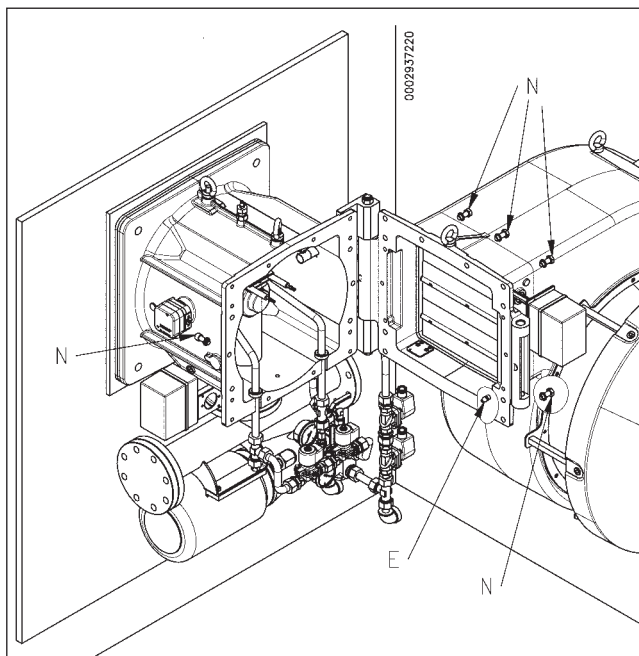
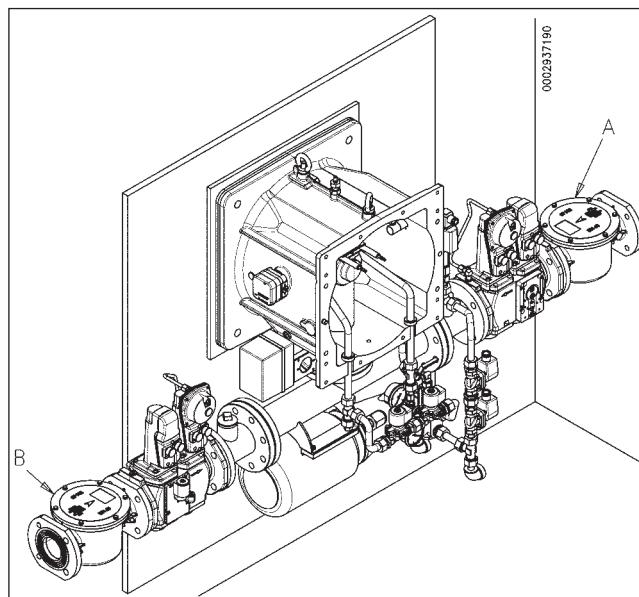


Вначале две петли F должны быть установлены без полного затягивания 4-х винтов N. Прежде необходимо удостовериться, что торцевые поверхности S двух петель находятся в полном контакте с соответствующими поверхностями петли корпуса горелки. Для этого нужно сначала завинтить 2 гайки M с соответствующими шайбами. Необходимо избегать чрезмерного затягивания гаек, что может стать причиной затрудненного поворачивания петли. Завершите операцию, окончательно затянув винты N.

- Снова откройте корпус вентилятора, чтобы проверить исправный ход вращательного движения петельного узла и установить штифт центровки E со стороны фланца вентилятора, противоположной стороне установки петли, для облегчения закрывания горелки.



Каждый раз, когда будет необходимо открыть горелку, нужно сначала отсоединить зажимы серводвигателя газового дросселя, регулятора давления дизельного топлива, электроклапанов линии газа и линии дизельного топлива.



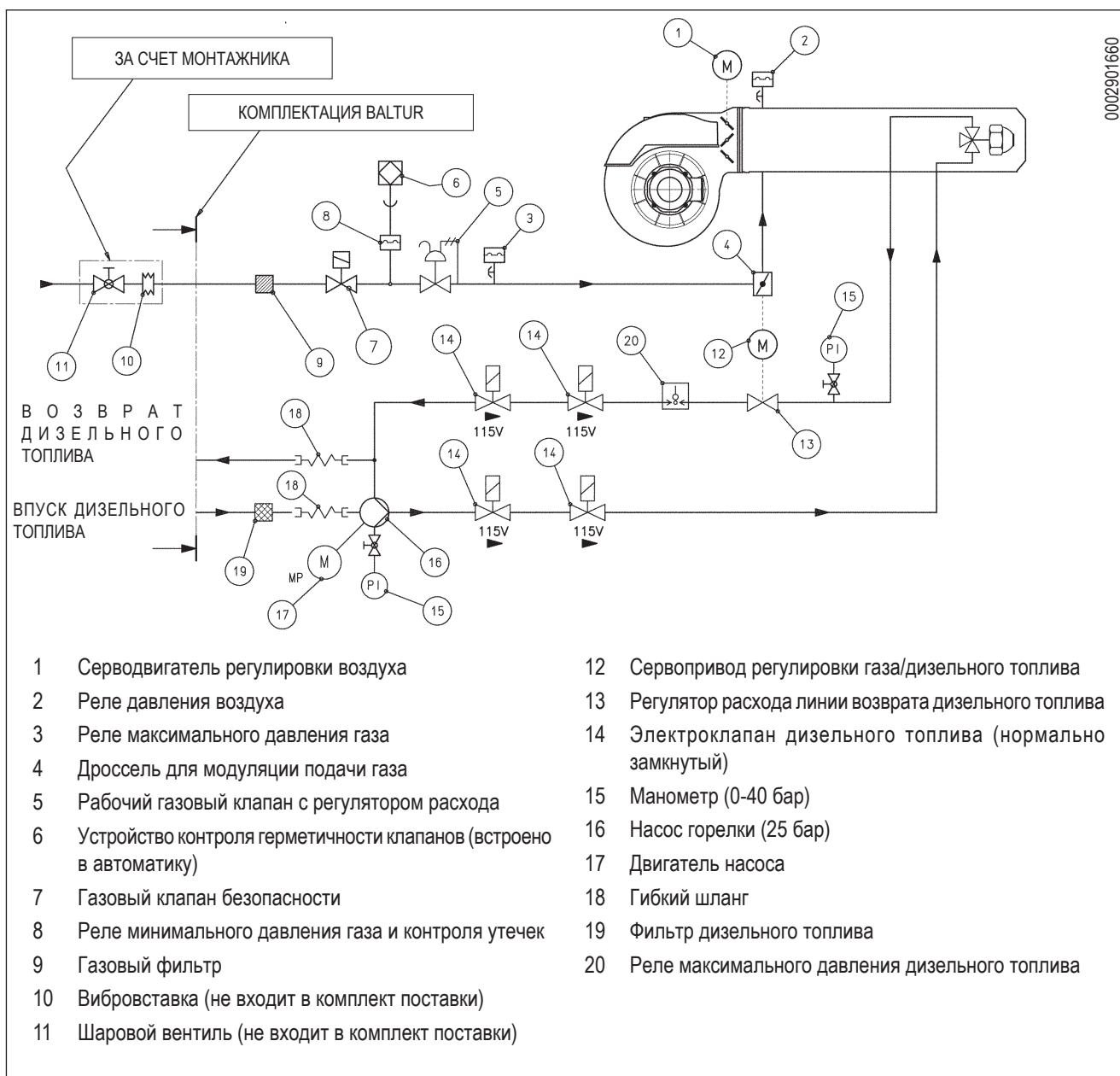
ПРИНЦИПИАЛЬНАЯ СХЕМА ГАЗОВОЙ РАМПЫ



Перед газовым клапаном нужно монтировать ручной отсечной клапан и вибровставку, которые должны размещаться так, как указано на принципиальной схеме.

Для гарантирования лучшего функционирования регулятора давления лучше, чтобы он монтировался на горизонтальном трубопроводе после фильтра. Регулятор давления газа необходимо регулировать, когда он работает на максимальном, **действительно** используемом горелкой расходе. Давление на выходе должно быть отрегулировано на значение, чуть меньшее значения максимального получаемого давления (которое достигается закручиванием почти до самого упора винта регулировки); для особых случаев: закручивание винта регулировки приведёт к увеличению давления на выходе регулятора, а откручивание - к уменьшению.

ПРИНЦИПИАЛЬНАЯ СХЕМА КОМБИНИРОВАННЫХ ГОРЕЛОК СЕРИИ TBML 600/800



РОЗЖИГ И РЕГУЛИРОВКА ГОРЕЛКИ НА ДИЗЕЛЬНОМ ТОПЛИВЕ

- Установите выключатель, расположенный на панели управления, в позицию «О» (открыто).
- Установите селектор «смены вида топлива» в позицию «OIL» (мазут).
- Закройте подачу дополнительного воздуха в головку, отвинтив стопор (А) и втолкнув стержень (В) до упора. Снова завинтите стопор (А).
- Закройте вентили и откройте отсечные устройства.
- Убедитесь в том, что в котле есть вода и вентили системы открыты.
- Убедитесь на сто процентов в том, что вывод продуктов сгорания происходит без затруднения (заслонки котла и дымохода открыты).
- Проверьте, что напряжение линии электропитания соответствует напряжению, заявленному производителем, а электрические соединения двигателя пригодны для работы с этим напряжением. Проверьте, что на месте правильно выполнены все электрические соединения, как указано на нашей электрической схеме.
- Включите вспомогательный контур подачи топлива, проверьте его исправность и настройте давление примерно на 0,5-3 бар, если контур оснащен регулятором давления.
- Снимите заглушку отверстия присоединения вакуумметра на насосе и слегка приоткройте задвижку на трубе подачи топлива. Подождите, пока из отверстия не начнет поступать топливо без воздушных пузырьков. После этого закройте задвижку. В случае если линия подачи не находится под давлением, заполните насос, заливая топливо в гибкий шланг подачи.
- Установите манометр (предел шкалы прим. 4 бара) на штуцер присоединения вакуумметра на насосе, чтобы можно было отслеживать величину давления, под которым топливо поступает на насос горелки. Давление топлива должно оставаться в пределах 0,5-3 бар и при выключенной горелке.
- Откройте задвижки, расположенные на трубопроводе дизельного топлива.
- Подайте электрическое питание на линию, к которой подсоединена горелка. Проверьте, нажимая на соответствующие переключатели дистанционного управления, вращаются ли двигатели вентилятора и насоса в правильном направлении. В противном случае поменяйте местами два провода на главной линии, чтобы изменить направление вращения.
- Нажав на соответствующий дистанционный выключатель, включите насос горелки. Оставьте его работать до тех пор, пока манометр, измеряющий рабочее давление насоса, не покажет небольшое давление. Небольшое давление в контуре свидетельствует о том, что емкость подогревателя заполнилась.
- Замкните (поз. I) выключатель (1) на панели управления, чтобы подать ток на оборудование, и закройте линию



термостатов, установив селектор (2) в положение «закрыто». Если термостаты или реле давления (предохранительные и котла) также закрыты, запускается рабочий цикл. Аппарат включается. Порядок регулировки горелки смотрите в «КРАТКОМ РУКОВОДСТВЕ ПО ПРОГРАММИРОВАНИЮ» и в руководстве по эксплуатации электронного кулачка «BT 340».

- Проверьте срабатывание датчика пламени.

- **ДАТЧИК ПЛАМЕНИ**

Если пламя контролируется ультрафиолетовым фотодатчиком, необходимо иметь в виду следующее: Легкий налет жира может сильно нарушить прохождение световых лучей. А это не позволит внутреннему чувствительному элементу получить достаточное количество излучения для гарантирования правильного функционирования. В случае забивания шарика необходимо хорошо прочистить его. Даже простое прикосновение руки к фотодатчику может оставить на нем жирный след, достаточный для того, чтобы нарушить его правильную работу. Фотоэлемент не "видит" дневной свет или свет обычной лампочки. Проверить чувствительность фотоэлемента можно при помощи небольшого (зажженная зажигалка, свеча). Для гарантирования исправной работы фотодатчика напряжение должно быть стабильным и не опускаться ниже минимального значения, требуемого конкретным блоком управления. Проверка выполняется между клеммами электроцита, указанными на электрической схеме.

- Когда горелка работает на минимальном режиме, отрегулируйте объем подачи воздуха и дизельного топлива так, чтобы обеспечивался необходимый процесс горения.
- Отрегулировав количество подаваемого воздуха на минимальной мощности, увеличьте мощность и определите рабочую кривую, как указано в руководстве оборудования. Рекомендуется выполнить контроль процесса горения посредством специального прибора или во всех промежуточных точках кривой модуляции. Максимальный расход достигается тогда, когда обратное давление равно примерно 17-18 бар при давлении насоса 25 бар (0002922840 стр. 15). Не рекомендуется превышать значение содержания CO₂ в дымовых газах равное 13%.



ФОРСУНКА FLUIDICS БЕЗ ШПИЛЬКИ

Для работы на дизельном топливе необходимо использовать форсунки модели FLUIDICS N2 45° без шпильки с расходом 600 кг/ч или 800 кг/ч в зависимости от установленной максимальной тепловой мощности.

На графике 0002922840 представлены кривые зависимости

значений расхода топлива двух форсунок в зависимости от давления возврата. Кривые были получены, принимая давление регулировки насоса равным 25 бар.

Значение давления возврата должно замеряться манометром со шкалой 0-40 бар (см. схему 0002901670).

СХЕМА ПОДСОЕДИНЕНИЯ НАСОСА НР МОДЕЛИ VBH

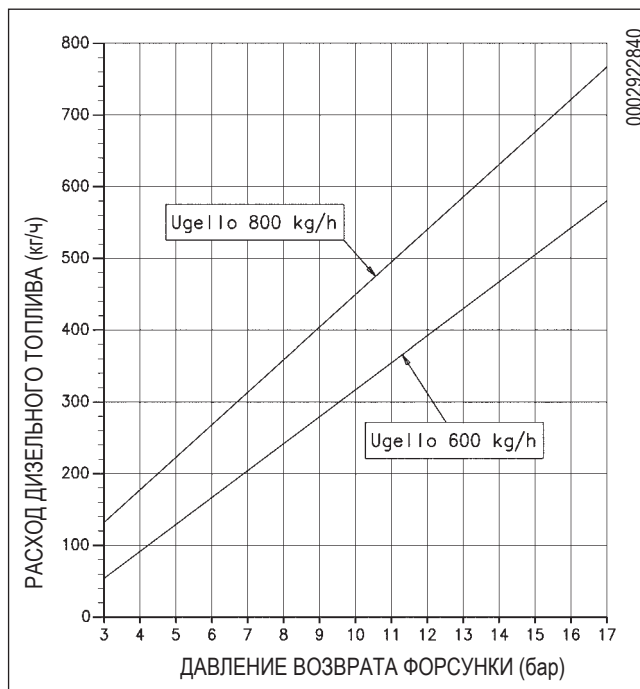
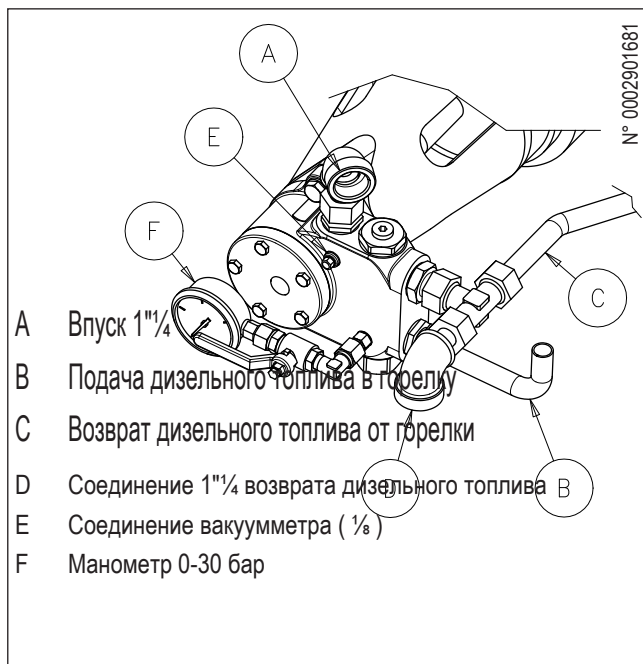
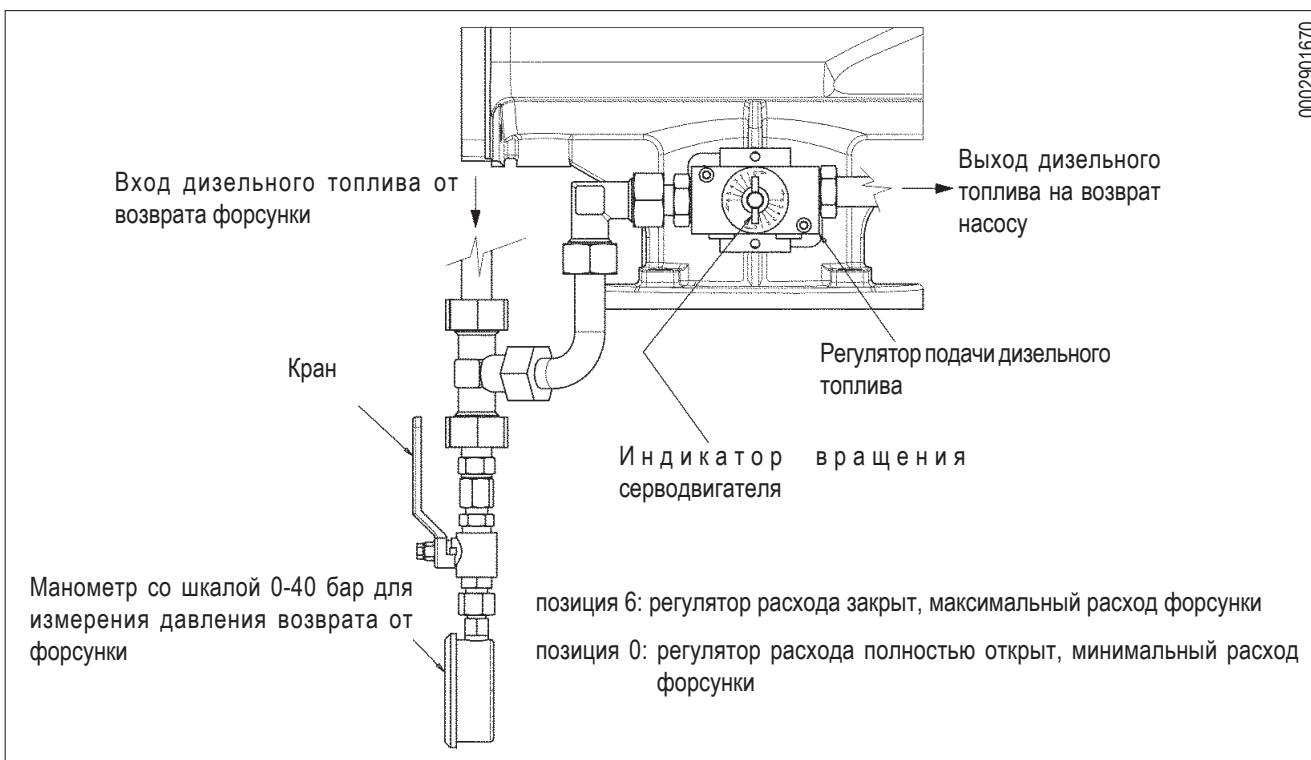


СХЕМА ПОДСОЕДИНЕНИЯ РЕГУЛЯТОРА РАСХОДА

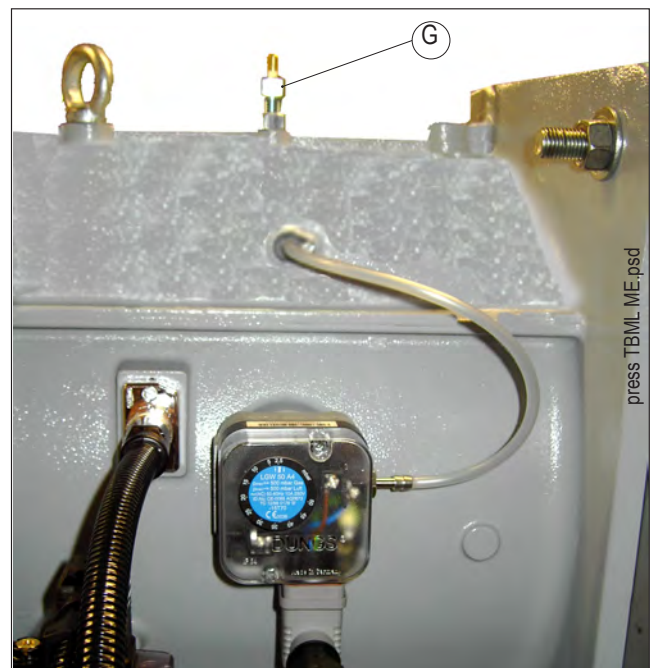


РОЗЖИГ И РЕГУЛИРОВКА ПРИ РАБОТЕ НА ГАЗЕ МЕТАНЕ

- Установите выключатель, расположенный на панели управления, в позицию «О» (открыто).
- Установите селектор «смены вида топлива» в позицию «GAS».
- Откройте подачу дополнительного воздуха в головку, отвинтив стопор (А) и потянув стержень (В) вниз до упора. Затем снова завинтите стопор (А).
- Закройте задвижку и откройте отсечные устройства.
- **Убедитесь в том, что в котле есть вода и вентили системы открыты.**
- **Убедитесь на сто процентов в том, что вывод продуктов сгорания происходит без затруднения (заслонка котла и дымохода открыта).**
- Проверьте, чтобы напряжение соединяемой электрической линии соответствовало напряжению, необходимому для функционирования горелки, и чтобы электрические соединения (двигатель или главная линия) были предусмотрены для работы с имеющимся значением напряжения. Проверьте, чтобы на месте были правильно выполнены все электрические соединения, как указано на нашей электрической схеме.
- Если на этапе соединения горелки к газопроводу не был выполнен выпуск воздуха, содержащегося в трубопроводе, необходимо в обязательном порядке и очень осторожно сделать это, открыв двери и окна. Откройте соединение на трубопроводе вблизи от горелки, а после этого медленно откройте один или несколько отсечных кранов газа. Подождите, пока не почувствуете характерный запах газа, после чего закройте кран. С учётом ваших конкретных условий подождите необходимое время для того, чтобы газ в помещении выветрился. Затем можете снова соединить горелку с газовым трубопроводом.
- Поместите манометр с подходящей шкалой отсчета (если величина давления позволяет, используйте прибор с водяным столбом; не прибегайте к стрелочным инструментам, если речь идет о маленьких давлениях) к штуцеру для замера давления на реле давления газа.
- В условиях выключателя щита горелки в положении «О» и с подключенным главным выключателем проверьте, чтобы двигатель вращался в правильном направлении, вручную замыкая дистанционный выключатель. В случае необходимости поменяйте местами два провода линии питания двигателя, чтобы изменить направление вращения.
- Замкните (поз. 1) выключатель (1) на панели управления, чтобы подать ток на оборудование, и закройте линию термостатов, установив селектор (2) в положение «закрыто». Если термостаты или реле давления (предохранительные и котла) также закрыты, запускается рабочий цикл. Аппарат включается. Порядок регулировки горелки смотрите в «КРАТКОМ РУКОВОДСТВЕ ПО ПРОГРАММИРОВАНИЮ» и в руководстве по эксплуатации электронного кулачка «BT 340».
- Проверьте срабатывание детектора пламени (УФ-



Стержень подачи вспомогательного воздуха на форсунку в положении «ОТКРЫТО» (режим работы — ГАЗ)



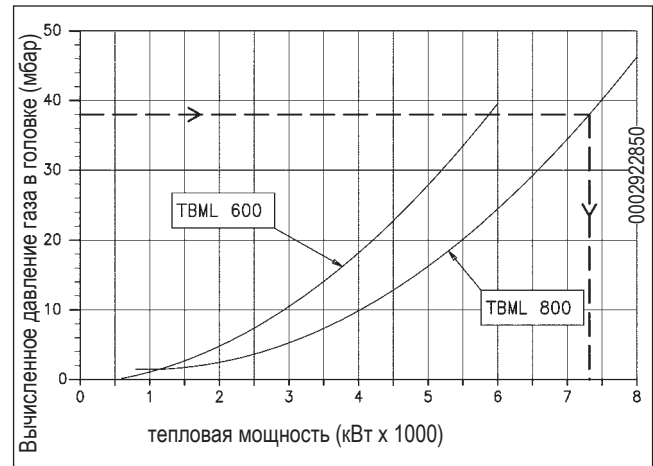
фотоэлемент) при работающей горелке, вынимая ячейку из гнезда. Горелка должна остановиться в положении блокировки.

- Проверьте эффективность термостатов или реле давления котла (срабатывание должно привести к останову горелки).
- **ДАТЧИК ПЛАМЕНИ**
Если пламя контролируется ультрафиолетовым фотодатчиком, необходимо иметь в виду следующее: Легкий налет жира может сильно нарушить прохождение световых лучей. А это не позволит внутреннему чувствительному элементу получить достаточное количество излучения для гарантирования правильного функционирования. В случае забивания шарика необходимо хорошо прочистить его. Даже простое прикосновение руки к фотодатчику может оставить на нем жирный след, достаточный для того, чтобы нарушить его правильную работу. Фотоэлемент не "видит" дневной свет или свет обычной лампочки. Проверить чувствительность фотоэлемента можно при помощи небольшого (зажженная зажигалка, свеча). Для гарантирования исправной работы фотодатчика напряжение должно быть стабильным и не опускаться ниже минимального значения, требуемого конкретным блоком управления. Проверка выполняется между клеммами электрощита, указанными на электрической схеме.
- Когда горелка работает на минимальном режиме, отрегулируйте объем подачи воздуха и газа так, чтобы обеспечивался необходимый процесс горения.
- Отрегулировав количество подаваемого воздуха на минимальной мощности, увеличьте мощность и определите рабочую кривую, как указано в руководстве оборудования. Рекомендуется выполнить контроль процесса горения посредством специального прибора или во всех промежуточных точках кривой модуляции.
- После регулировки воздуха и газа проверьте действительный расход газа по счетчику. Если расход выше максимального допустимого значения для котла, отключите горелку, чтобы предотвратить поломки. На этапе определения кривой модуляции можно получить приблизительные значения тепловой мощности в промежуточных точках посредством измерения давления газа в головке горения. Подсоедините манометр с соответствующей шкалой к штуцеру отбора давления (G) (см. фото) и измерьте давление газа. Определите по графику (0002922850 стр. 17) тепловую мощность в зависимости от значения измеренного давления за вычетом противодавления топki.

! приведенный метод позволяет определять лишь приблизительно фактическую тепловую мощность. Для точного измерения необходимо снимать показания с прибора учета расхода газа.

Пример:

- Горелка TBML 800
- Давление, измеренное на штуцере G: $P_{tc}=48$ мбар
- Противодавление, измеренное в топке: $P_{sc}=10$ мбар
- Значение давления в головке за вычетом противодавления топki: $P=48-10=38$ мбар
- По графику определяем, что давлению $P=38$ мбар соответствует фактическая тепловая мощность примерно равная 7300 кВт.



- 1 Главный выключатель (ВКЛ.-ВЫКЛ.)
- 2 Выключатель линии термостатов
- 3 Дисплей ВТ 340
- 4 Индикатор блокировки блока управления
- 5 Индикатор наличия напряжения
- 6 Блокировка вентилятора (при наличии)
- 7 Индикатор работы в режиме газа
- 8 Индикатор работы в режиме дизельного топлива
- 9 Блокировка двигателя насоса
- 10 Селектор топлива (газ/дизельное топливо)

synoptic_TBML 800 ME

ОПИСАНИЕ РАБОТЫ РЕЛЕ ДАВЛЕНИЯ ВОЗДУХА

Назначение реле давления воздуха - обеспечивать безопасные условия (блокировать) блока управления, если давление воздуха не соответствует предусмотренному значению. Реле давления должно быть отрегулировано так, чтобы оно срабатывало, если давление воздуха в горелке не доходит до достаточного значения.

Для проверки правильного функционирования воздушного прессостата нужно, при работе горелки на минимальном расходе, увеличивать отрегулированное значение до момента срабатывания, после чего горелка сразу же остановится в положении блокировки. Разблокируйте горелку, нажав соответствующую кнопку. Настройте реле давления на значение, достаточное для обнаружения существующего давления воздуха на первых этапах продувки.

ОПИСАНИЕ РАБОТЫ РЕЛЕ ДАВЛЕНИЯ ГАЗА

Контрольные реле минимального и максимального давления газа служат для того, чтобы не позволять работать горелке в тех случаях, когда давление газа не входит в предусмотренные значения. Из особой функции реле давления очевидно, что контрольное реле минимального давления должно использовать контакт НО (нормально открытый), который находится в замкнутом положении тогда, когда реле обнаруживает давление со значением, превышающим отрегулированное на нём значение, а реле максимального давления должно использовать контакт НЗ (нормально закрытый), который находится в замкнутом положении тогда, когда реле обнаруживает давление со значением, меньшим отрегулированного на нём значения. Регулировку реле минимального и максимального давления необходимо осуществлять на этапе приемки горелки, учитывая давление, получаемое в каждом конкретном случае. Реле соединяются таким образом, что срабатывание (то есть замыкание контура) реле максимального давления приводит к мгновенной блокировке горелки; при срабатывании же реле минимального давления горелка останавливается и остается в режиме ожидания до момента восстановления давления до необходимого для работы значения. Таким образом горелка запускается самостоятельно, выполняя последовательность операций розжига.

Регулировка до розжига горелки: отрегулируйте реле минимального давления на минимальное положение шкалы отсчёта, а максимального давления — на максимальное.

Регулировки после калибровки горелки: С горелкой в условиях максимального расхода отрегулируйте реле минимального давления, увеличивая настроенное значение до тех пор, пока не отключится горелка, посмотрите значение на кольце регулировки и выставьте значение, уменьшенное на 5 мбар. С горелкой на минимальной мощности отрегулируйте реле максимального давления, уменьшая выставленное значение до тех пор, пока контакт НЗ (нормально замкнутый) не разомкнется. Посмотрите значение на кольце регулировки и выставьте значение, большее полученного на 5 мбар.

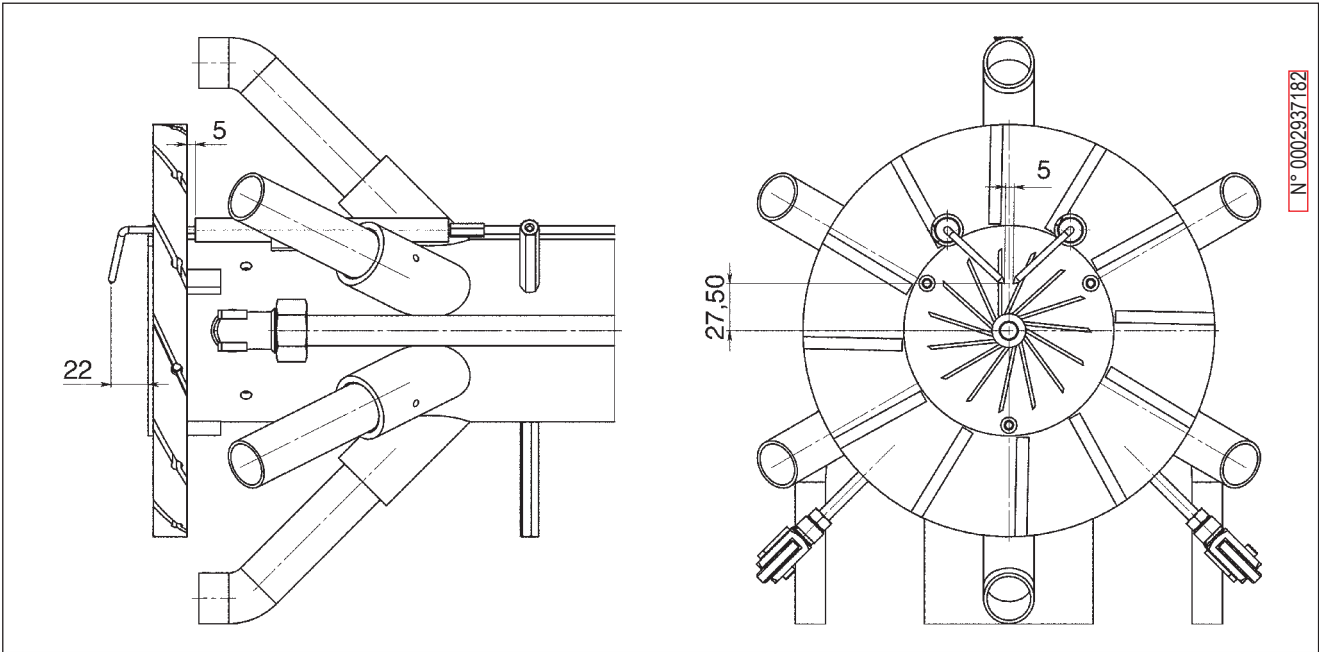


если на газовой рампе монтировано только одно реле давления, то им является реле минимального давления.





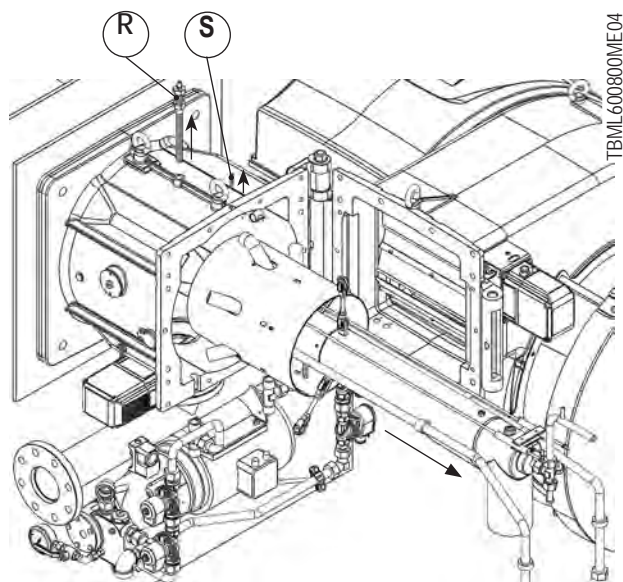
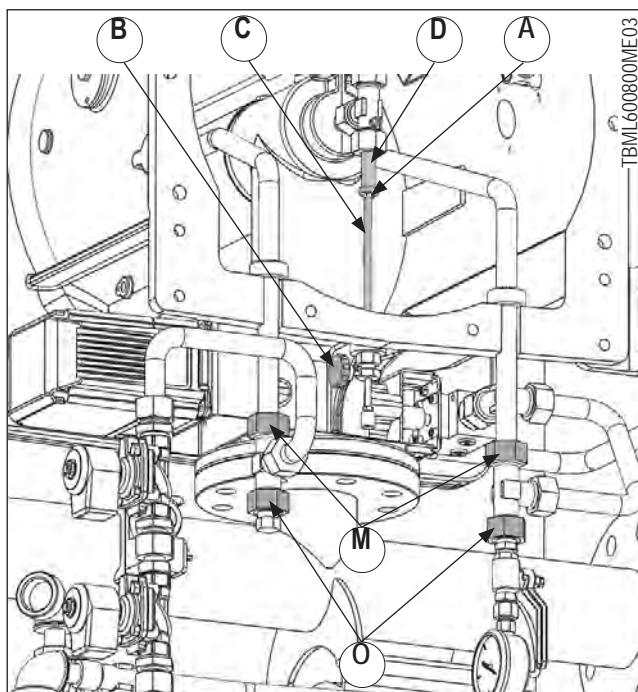
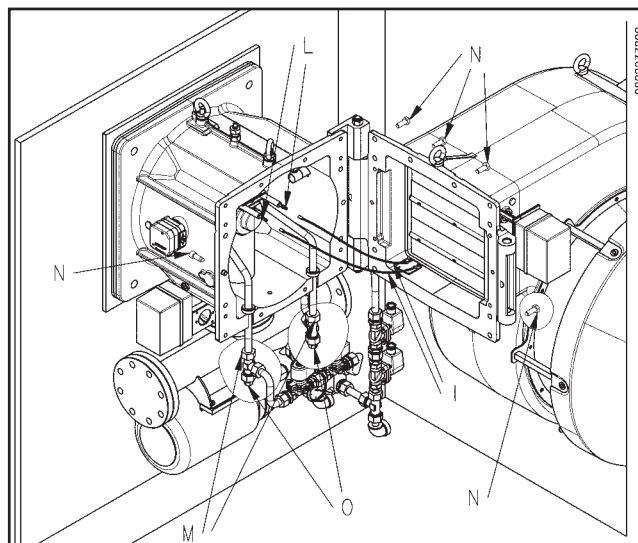
СХЕМА РЕГУЛИРОВКИ ГОЛОВКИ ГОРЕНИЯ И РАССТОЯНИЕ МЕЖДУ ДИСКОМ И ЭЛЕКТРОДАМИ



ТЕХНИЧЕСКОЕ ОБСЛУЖИВАНИЕ

Горелка не нуждается в особом техобслуживании, однако после завершения отопительного сезона рекомендуется выполнить следующее:

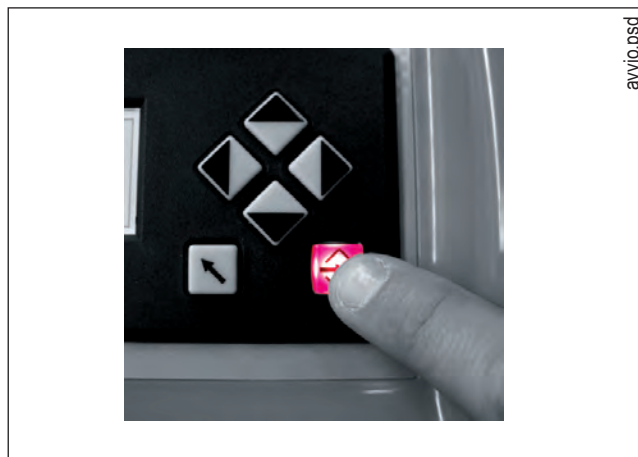
- Прочистите воздушную заслонку, реле давления воздуха, штуцер отбора давления и соответствующую трубку.
- Прочистите фотозлемент.
- Прочистите котёл, а при необходимости и дымоход (выполняется печником), у чистого котла более высокий КПД, срок службы его продлевается и уровень шума ниже.
- У газовых горелок необходимо регулярно контролировать, чтобы газовый фильтр был чистым.
- Для очистки головки горения необходимо демонтировать её компоненты. Будьте очень осторожны при монтаже, так как необходимо центрировать распылитель относительно электродов и при этом последние не должны замыкать на массу, что может привести к блокировке горелки. После того как отрегулированы два электрода в соответствии со схемой 0002937182, проверьте, что искра розжига образуется исключительно между двумя концами электродов.
- Проконтролируйте процесс горения и правильные значения выбросов по уходящим газам.
- Проверьте, чтобы все компоненты головки горения находились в хорошем состоянии и не были деформированы из-за высокой температуры. На них не должно быть грязи или различного рода скоплений, которые могут попасть из помещения или образоваться при плохом процессе горения. Если необходимо прочистить головку горения, демонтируйте ее компоненты в следующем порядке:
 - снимите ультрафиолетовый фотозлемент;
 - отсоедините разъемы электроклапанов газа и дизельного топлива, серводвигателя газа и регулятора давления;
 - отверните четыре крепежных винта (N) и откройте вентилируемый корпус;
 - отсоедините провода розжига (I) от соответствующих терминалов электродов розжига (L);
 - отвинтите крышки (O), на одной из которых установлен манометр, показывающий давление линии возврата, чтобы можно было слить остатки дизельного топлива, находящиеся внутри узла распыления; отсоедините трубы соединения с узлом, отвинтив гайки (M) Т-образных патрубков;
 - ослабьте гайку (A) и стопор (B), поверните стержень (C), чтобы отвинтить его от поршня (D) и затем полностью изъять из корпуса горелки;
 - вывинтите винт (R) и винт (S) из камеры (P);
 - выньте весь узел смещения в направлении, указанном стрелкой. Завершив техническое обслуживание и проверив правильное положение электродов розжига и ионизации, монтируйте головку горения, выполняя операции в порядке, обратном вышеперечисленному (0002937182 стр. 19).



ИСПОЛЬЗОВАНИЕ ГОРЕЛКИ

Горелка полностью управляется в автоматическом режиме; с замыканием главного выключателя и выключателя щита управления горелка запускается. Работой горелки управляют устройства управления и контроля. Положение блокировки — это защитное положение, в которое переходит горелка автоматически, когда какой-либо компонент системы или ее самой становится неэффективным; поэтому, до повторного включения горелки (разблокировки) необходимо проверить, чтобы в котельной не было никаких аномалий. В режиме блокировки горелка может находиться без ограничения времени. Для разблокировки необходимо нажать красную мигающую кнопку на дисплее устройства ВТ 340 (кнопка «ВВОД (INVIO)»).

Блокировки могут быть вызваны временными явлениями; в таких случаях после нажатия кнопки разблокировки горелка вновь запустится без всяких проблем. Если же блокировки повторяются (3-4 раза), не настаивайте на восстановлении функционирования кнопкой разблокировки. Проверьте, чтобы топливо подавалось на горелку. Если это так, то для устранения аномалии обратитесь в компетентный сервисный центр вашей зоны.

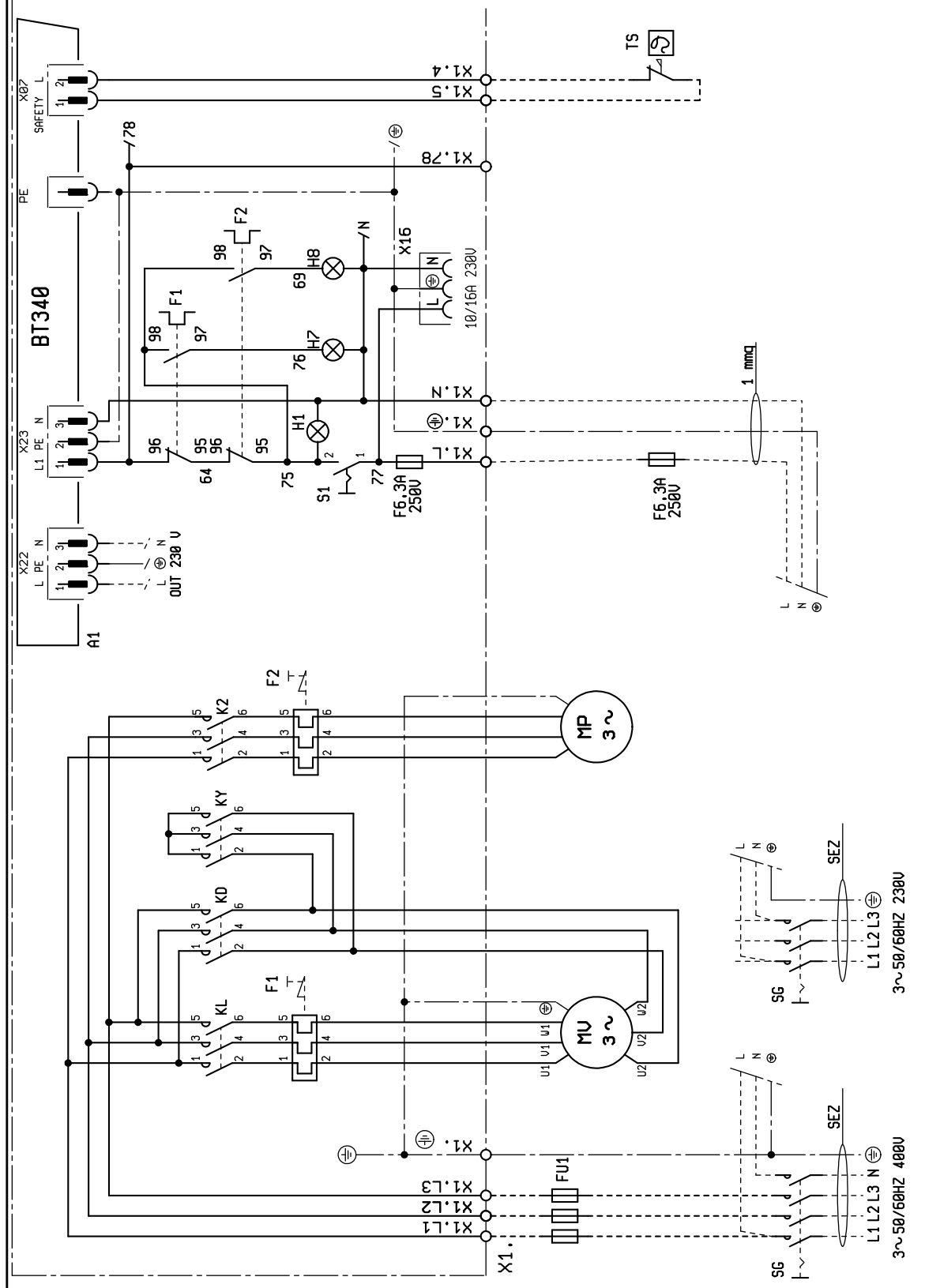


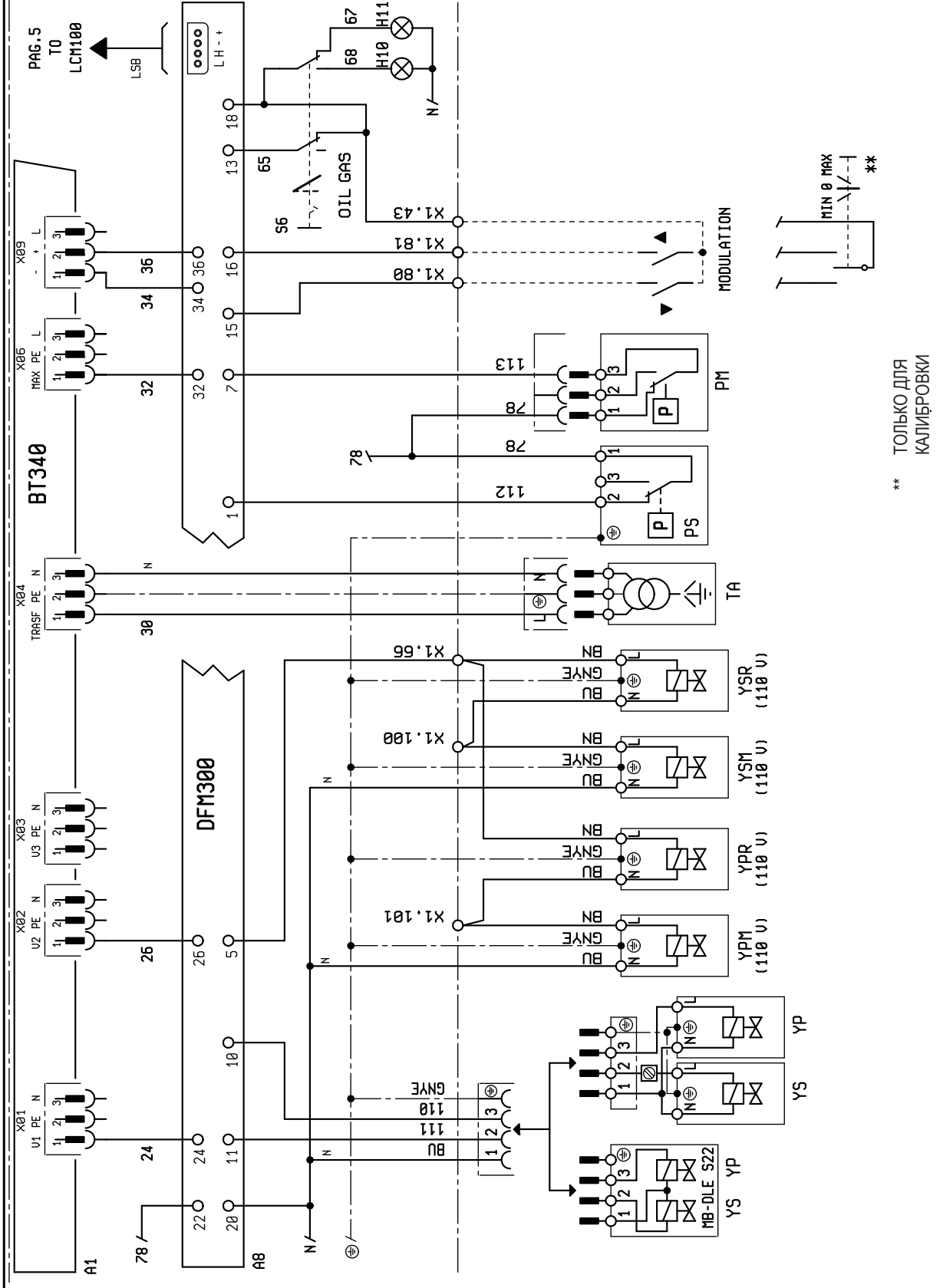
ЭЛЕКТРИЧЕСКАЯ СХЕМА

baltur
CENTO (FE)

SCHEMA ELETTRICO TBML 600-800 ME
ELECTRIC DIAGRAM TBML 600-800 ME

N° 0002631091N1
foglio N. 1 di 6
data 02/04/13
Dis. S.Melloni
Visto S.Melloni

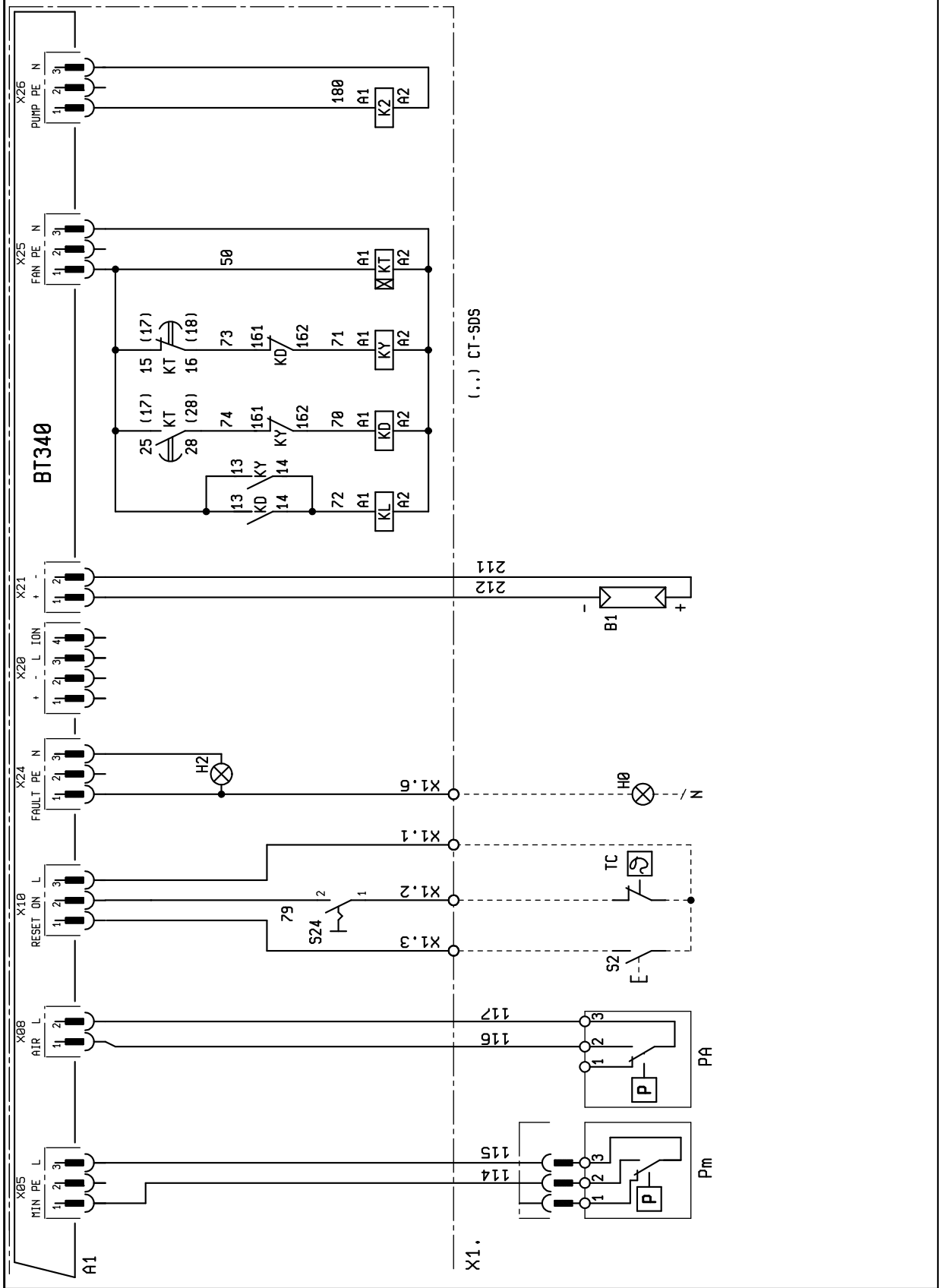


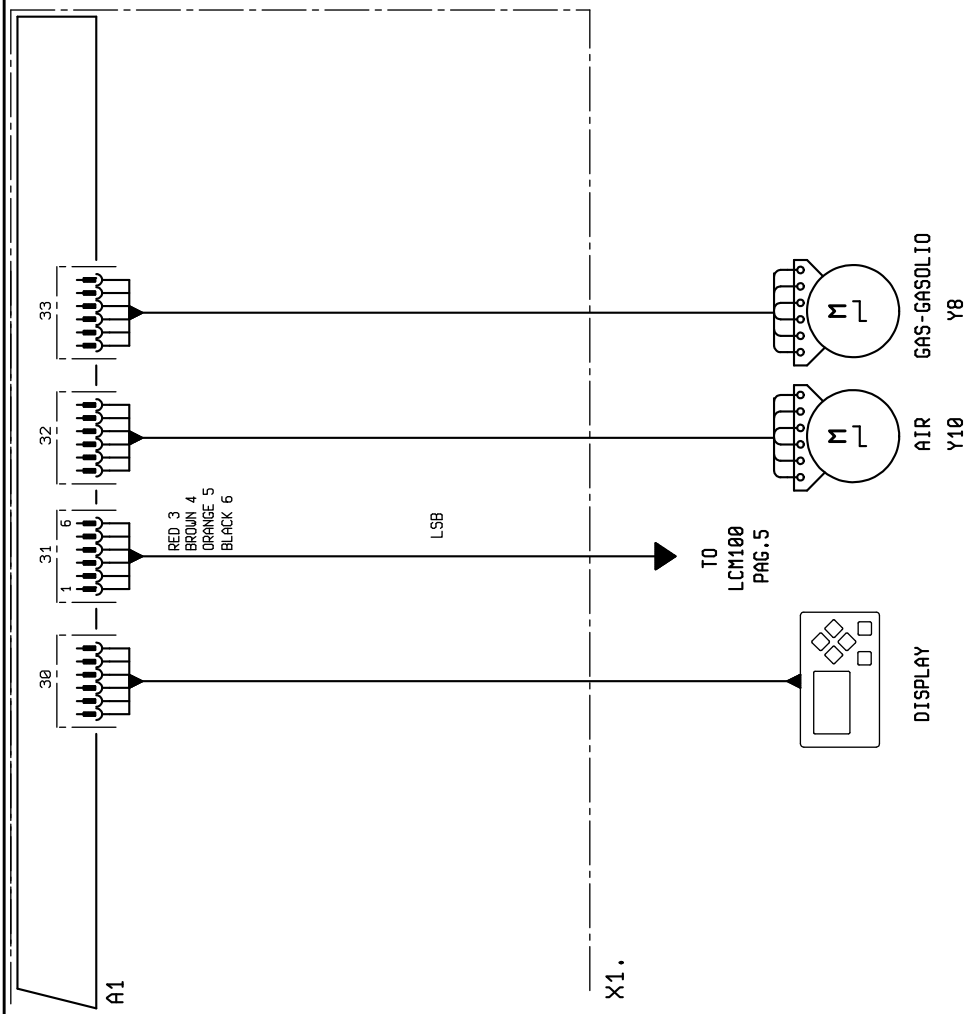


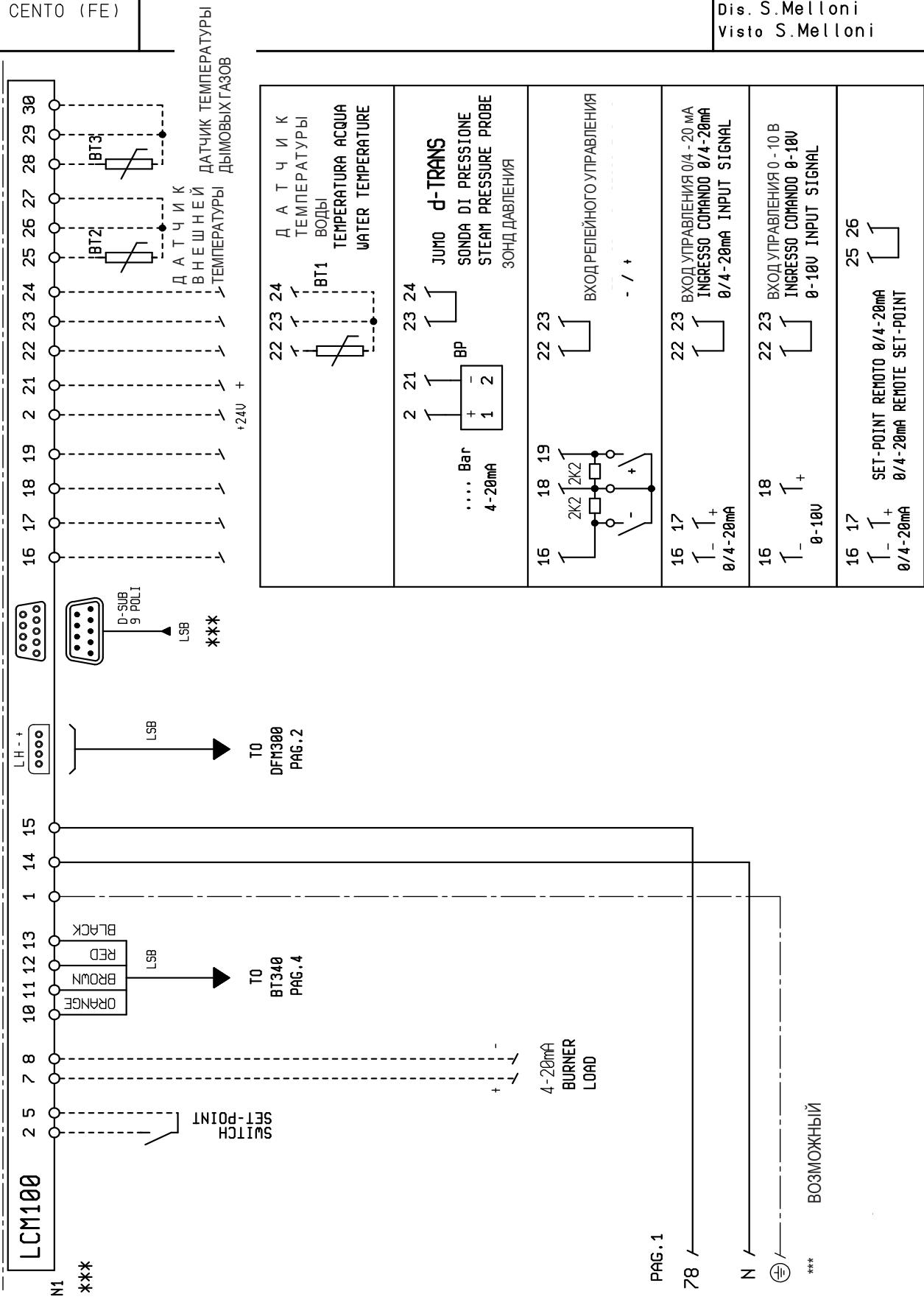
baltur
CENTO (FE)

SCHEMA ELETTRICO TBML 600-800 ME
ELECTRIC DIAGRAM TBML 600-800 ME

N° 0002631091N3
foglio N.3 di 6
data 03/04/13
Dis. S.Melloni
Visto S.Melloni







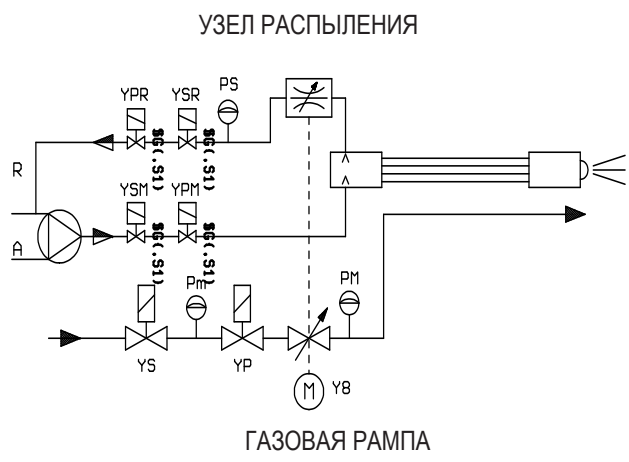
PAG.1
78
N
⊕

ВОЗМОЖНЫЙ



A1	БЛОК УПРАВЛЕНИЯ
A8	БЛОК УПРАВЛЕНИЯ ДЛЯ ДВУХ ВИДОВ ТОПЛИВА
B1	УЛЬТРАФИОЛЕТОВЫЙ ФОТОДАТЧИК
F1	ТЕРМОРЕЛЕ
F2	ТЕРМОРЕЛЕ НАСОСА
FU1	ПРЕДОХРАНИТЕЛИ
H0	ВНЕШНИЙ ИНДИКАТОР БЛОКИРОВКИ
H1	ИНДИКАТОР РАБОТЫ
H10	ИНДИКАТОР РАБОТЫ В РЕЖИМЕ ДИЗЕЛЬНОГО ТОПЛИВА
H11	ИНДИКАТОР РАБОТЫ НА ГАЗЕ
H2	ИНДИКАТОР БЛОКИРОВКИ А1
H7	ИНДИКАТОР БЛОКИРОВКИ ДВИГАТЕЛЯ ВЕНТИЛЯТОРА
H8	ИНДИКАТОР БЛОКИРОВКИ ТЕРМОЗАЩИТЫ ДВИГАТЕЛЯ НАСОСА
K2	КОНТАКТОР ДВИГАТЕЛЯ НАСОСА
KL	КОНТАКТОР ЛИНИИ
KD	КОНТАКТОР ТРЕУГОЛЬНИК
KY	КОНТАКТОР ЗВЕЗДА
KT	ТАЙМЕР
MP	Двигатель насоса
MV	МОТОР ВЕНТИЛЯТОРА
N1	ЭЛЕКТРОННЫЙ РЕГУЛЯТОР
P M	РЕЛЕ МАКСИМАЛЬНОГО ДАВЛЕНИЯ
PA	ВОЗДУШНЫЙ ПРЕССОСТАТ
Pm	РЕЛЕ МИНИМАЛЬНОГО ДАВЛЕНИЯ
PS	ПРЕДОХРАНИТЕЛЬНОЕ РЕЛЕ ДАВЛЕНИЯ
S1	ВЫКЛЮЧАТЕЛЬ ПУСКА-ОСТАНОВА
S2	КНОПКА РАЗБЛОКИРОВКИ
S6	ПЕРЕКЛЮЧАТЕЛЬ ГАЗА/МАЗУТА
S24	ВЫКЛЮЧАТЕЛЬ ВКЛЮЧЕН/ВЫКЛЮЧЕН
SG	ГЛАВНЫЙ ВЫКЛЮЧАТЕЛЬ
TA	ТРАНСФОРМАТОР РОЗЖИГА
TC	ТЕРМОСТАТ КОТЛА
TS	ТЕРМОСТАТ БЕЗОПАСНОСТИ
X1	КОНТАКТНАЯ ПАНЕЛЬ ГОРЕЛКИ
X16	РАБОЧИЙ РАЗЪЕМ
Y8	СЕРВОПРИВОД ГАЗА/ДИЗЕЛЬНОГО ТОПЛИВА
Y10	СЕРВОПРИВОД ВОЗДУХА
YP	ГЛАВНЫЙ ЭЛЕКТРОКЛАПАН
YPM	ГЛАВНЫЙ ЭЛЕКТРОКЛАПАН ПОДАЧИ
YPR	ГЛАВНЫЙ ЭЛЕКТРОКЛАПАН ВОЗВРАТА
YS	ЭЛЕКТРОКЛАПАН БЕЗОПАСНОСТИ
YSM	ПРЕДОХРАНИТЕЛЬНЫЙ ЭЛЕКТРОКЛАПАН ПОДАЧИ
YSR	ПРЕДОХРАНИТЕЛЬНЫЙ ЭЛЕКТРОКЛАПАН ВОЗВРАТА

DIN/ IEC	
GNYE	ЗЕЛЁНЫЙ/ЖЁЛТЫЙ
BU	СИНИЙ
BN	КОРИЧНЕВЫЙ
BK	ЧЕРНЫЙ
BK*	ЧЕРНЫЙ ПРОВОДНИК С НАДПЕЧАТКОЙ







- 在开始使用燃烧器之前, 请仔细阅读说明书中的“燃烧器客户安全使用守则”, 这是产品的一个不可或缺的重要部分。
- 在使用或者维护燃烧器之前请仔细阅读本说明书。
- 对燃烧器和系统的操作只能由合格的工作人员来执行
- 在对燃烧器的电气系统进行操作前, 请先切断供电电源。
- 如果操作或处理不当, 可能会引起危险事故。

符合性声明



GE0085:

DVGW CERT GmbH, Josef-Wirmer Strasse
1-3 - 53123 Bonn (D)

就此声明我们的民用和工业用燃气、燃油和双燃料鼓风机式燃烧器, 系列号为:

BPM...; BGN...; BT...; BTG...; BTL...; TBML...; Comist...; GI...;
GI...Mist; Minicomist...; PYR...; RiNOx...; Spark...; Sparkgas...;
TBG...; TBL...; TS...; IBR...; IB...
(品种: ... LX, 低NOx排放)

符合以下欧洲指令的最低要求:

- 2009/142/CE (D. A. G.)
- 2004/108/CE (C. E. M.)
- 2006/95/CE (D. B. T.)
- 2006/42/CE (D. M.)
-

符合以下欧洲法规:

- EN 676:2003+A2:2008 (燃气和双燃料, 燃气部分)
- EN 267:2009 (轻油, 双燃料轻油部分)

Gento, 2012年7月23日

研发部总监
Paolo ing. Bolognin

总裁兼总经理
Riccardo dr. Fava

 危险	 警示	 注意	 信息
---	---	---	---

技术参数.....	4
锅炉燃烧器的应用.....	6
电气连接.....	6
带燃料的供应设备 (柴油).....	8
燃气管路的安装.....	9
铰链装置的装配	9
柴油点火与调节.....	11
燃气 (甲烷) 的点燃和调整.....	13
燃气压力开关的运行描述.....	15
维护.....	16
燃烧器的使用.....	17
电气图.....	18

安全使用须知

前言

以下的注意事项是为了保证顾客能够安全地使用民用和烧热水用的加热系统设备。这些注意事项的目的是为了避免这些设备不会因为安装不当或安装错误以及使用不当或使用错误而引起的损坏和安全隐患。同时，本使用说明提供注意事项也希望能够通过一些技术性的但却易懂的语言，使顾客加深对一般性安全隐患的了解。不管是合同内规定的，还是超出合同范围的，如果是由于顾客的不当或错误的安装和使用，或是因为不遵循制造商的指导而引起的任何问题或事故，制造商均不负责。

一般性注意事项

- 本说明手册对于产品来说是必要的，是产品不可分割的一部分，一定要提供给顾客。请仔细阅读本手册，其中包含有关安全地安装、使用和维护产品的重要信息。请保留本手册以备需时之用。
- 必须依照现行的规则和制造商的指导，由有资格的技术人员来安装设备。“有资格的技术人员”意思是能够胜任民用供热和热水生产领域的工作，或者是制造商授权的帮助中心。安装不当可能引起损害和对人员、动物或物品的伤害。这种情况制造商不负责任。
- 打开包装后要确认所有的部件都齐备并且完整。如有疑问就不要动里面的设备并把它还给供货商。所有的包装材料(木板、钉子、塑料袋和膨胀聚苯乙烯等)一定不要放在儿童能够触及的地方，以免对他们造成伤害。一定要把这些包装材料收集好放在合适的地方以免污染环境。
- 在对设备进行任何的清洁和维护之前，一定要关闭设备电源，使用系统开关或者将系统关闭。
- 如果出现任何故障或者设备不能正常工作，将其停机，不要试图修理或者改动。这种情况下，应该跟有资格的技术人员联系。任何对于产品的维修均应由百得授权的服务中心使用原厂配件来进行。以上提到的任何故障，均可能影响设备的安全性。为保证设备能够有效正常地工作，由有资格技术人员按照生产商的指导对设备进行定期维护是必要的。
- 如果设备被出售、所有者变化，或者被移动或闲置，本说明手册一定要始终与设备在一起以便新的所有者或者安装者能够利用它。
- 对于所有可使用可选零件和组件(包括电气)的设备，一定要使用原装配件。

燃烧器

- 设备必须只能作以下声明的用途：用于锅炉、热风炉、烤炉或其它类似设备并且不能暴露在可能对设备造成危害的环境中。其它的使用均为不正确且是危险的。
- 设备必须根据现行规则安装在通风良好的合适的房间内且要保证供应足够的空气进行良好燃烧。
- 燃烧器空气进口不要有阻碍使进风口面积减小，也不要阻碍房间通风，避免形成有毒或有害气体。
- 对燃烧器进行联接前，检查铭牌上的内容，确认燃料所有的供应正确(电源、燃气、轻油或其它燃料)。
- 不要接触燃烧器上温度较高的部位。通常这些部位靠近火焰或者燃料预热装置，运行温度很高，在燃烧器停机后也会保持一段时间的高温。
- 如果不再使用燃烧器了，须由合格的技术人员完成以下工作：
 - a) 断开与主电源的联接。
 - b) 关闭截止阀并将控制手柄拿走，切断燃料供给。
 - c) 对所有潜在危险部件做无害化处理。

特别注意事项

- 检查燃烧器在锅炉上的安装，确保安装正确、安全，并使火焰完全在燃烧室内。
- 启动燃烧器前，由有资格人员进行以下工作，最少每年一次：
 - a) 将燃料的流量设置为保证锅炉所需热量。
 - b) 调节燃烧空气的流动，以获得要求的工作范围。
 - c) 检查燃烧情况，确保产生的有毒物质和未燃烬气体含量不超过现行规则的要求。
 - d) 确认调节和安全装置工作正常。
 - e) 确认燃烧产物排除通畅。
 - f) 确认在调节完成后，所有调节装置的机械安全系统均密封良好。
 - g) 确认使用和维护说明书在锅炉房内。

- 如果燃烧器重复停止在锁定位置，不要频繁地手动复位。这时应让合格的技术人员来解决问题。
- 设备的运行和维护均要根据现行的规则，由合格的技术人员来执行。电源
- 根据现行规则正确联接且良好接地后，电气设备才是安全的。有必要对必要的安全要求进行确认。如有疑问，让合格的技术人员进行仔细地检查。对于接地不好引起的损害，生产商不负任何责任。
- 依照现行安全法规，连接电网时要配一个单级开关，触点打开距离等于或大于3mm。
- 把电线的外套抽出刚好用于连接的一部分，以避免电线和其他金属部分接触。
- 让合格的技术人员对接线进行检查，确认能够满足设备消耗电功率最大时的安全。
- 对设备的供电不能使用适配器、插头和延长电缆。
- 主电源电路上要有熔断开关。
- 燃烧器电源的中线要接地。如果火焰检测电路的中线没有接地，就要将端子2(中线)与RC回路的接地联接。
- 使用任何用电设备，均应遵循一定的基本规则，包括：
 - 如果身上有水、潮湿或者脚湿的时候不要身体任何部位接触这些设备。
 - 不要拉电线。
 - 如果不是适宜型号，不要将这些设备暴露在有危险的环境(如雨天或阳光下)。
 - 不要让孩子或不专业的人员操作这些设备。
- 客户不得更换供电电缆。如果电缆损坏，停机，让合格的技术人员进行更换。
- 如果暂时不使用设备，则建议切断系统向所有用电设备(泵、燃烧器等)的供电。

燃料供应

一般性注意事项

- 必须依照现行的法律和规则，由有资格的技术人员来安装设备。安装不当可能引起对人员、动物或物品的伤害，这种情况制造商不负责任。
- 建议安装前对燃料供应系统管道进行仔细的内部清洗，清除任何可能影响燃烧器正常工作的残渣。
- 如果是初次使用燃烧器，须由合格技术人员执行以下检查：
 - a) 检查锅炉房内外燃气的密封性。
 - b) 将燃料的流量设置为能够保证锅炉所需热量的合适值。
 - c) 确认供给燃烧器的燃料流量与燃烧器要求的相符。
 - d) 确认燃料进口压力与燃烧器铭牌上的标示相符。
 - e) 确认燃料供应管直径足够大以保证供应所需燃料量，并且根据现行规则，管路上要有安全装置。
- 如果将有一段时间不使用设备，断开燃料的供给。

使用燃气的特别注意事项

- 须由合格技术人员根据现行规则执行以下检查：
 - a) 供气管路和阀组符合现行法律和规则。
 - b) 所有燃气管路的联接均密封良好。
- 如果闻到有燃气：
 - a) 不要使用任何电气开关、电话或其它任何可能产生火花的设备。
 - b) 立即打开门窗，让新鲜空气冲走室内燃气。
 - c) 关闭燃气阀。
 - d) 向合格的技术人员求助。
- 不要利用燃气管来作为电气设备的接地。
- 设备不使用时要将其关闭，并且将燃气阀关闭。
- 如果将有一段时间不使用设备，断开主燃气的供给。
- 如果室内有燃气管路，或者因为出现有毒气体和易爆气体而产生危险情况的环境须保持通风良好。

高效锅炉或类似设备的烟道

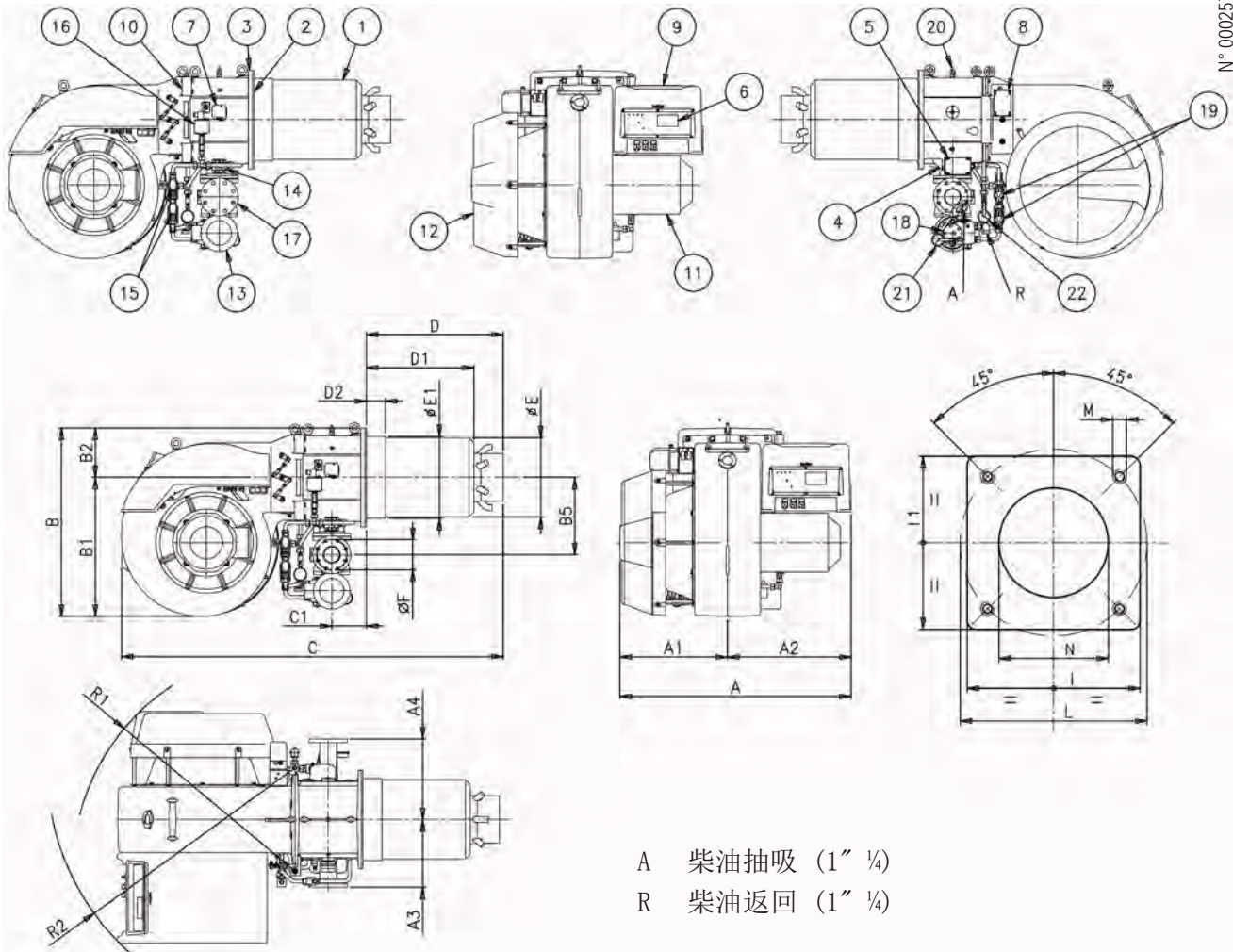
应该指出对于高效锅炉或类似设备的燃烧产物(排烟)在烟道内的温度相对较低。这时，传统的烟道(直径和隔热)可能变得不适合了。因为这类设备对燃烧产物冷却幅度很大，所以排烟温度会很低，可能低于露点。如果烟温低于露点，在燃轻油和重油时，烟道出口会出现烟灰，燃烧燃气时，沿着烟道会有凝结的水。高效锅炉或类似设备的烟道应具有与之相适应的尺寸(截面和隔热)，以避免上述问题的出现。

技术参数

		TBML 600 ME		TBML 800 ME
天然气	热功率	最大 kW	6000	8000
		最小 kW	800	800
	NOx的排放	< 80 (III级, 根据标准EN676)		
	压力	最大 mbar	700	
汽油	热功率	最大 kW	6000	8000
		最小 kW	2000	2000
	NOx的排放	< 185 (III级, 根据标准EN267)		
	燃料最大粘度	1,5° E - 20° C		
功能		"BT 340"电子比例调节		
点火变压器		2 x 5 kV - 30 mA - 230 V - 50/60 Hz		
风机马达	50 Hz	11 kW - 2390 r. p. m.	15 kW - 2390 r. p. m.	
	60 Hz	15 kW - 3487 r. p. m.	18,5 kW - 3515 r. p. m.	
泵电机	50 Hz	2,2 kW - 1430 r. p. m.		
	60 Hz	2,6 kW - 1710 r. p. m.		
消耗电功率*	50 Hz	14 kW	18 kW	
	60 Hz	18,4	21,9	
电压	50 Hz	3N ~ 400 V - 50 Hz		
	60 Hz	3N ~ 380 V - 60 Hz		
防护等级		IP54		
火焰检测		光敏电阻		
噪音**	dBA	84,0	83,5	
重量		kg	600	640

- *) 点火变压器接通下启动阶段的总消耗。
- **) 噪音标准在制造商实验室里被测出, 测试锅炉上的燃烧器设置为最大额定热输出。

所附材料	TBML 600 ME	TBML 800 ME
隔热垫圈	2	
双头螺柱	4个 M20	
六角头螺母	4个 M20	
平垫圈	4个Ø12	
汽油过滤器	1个 - 1"¼	
软管	2个 - 1"¼ x 1"¼	



A 柴油抽吸 (1" ¼)
R 柴油返回 (1" ¼)

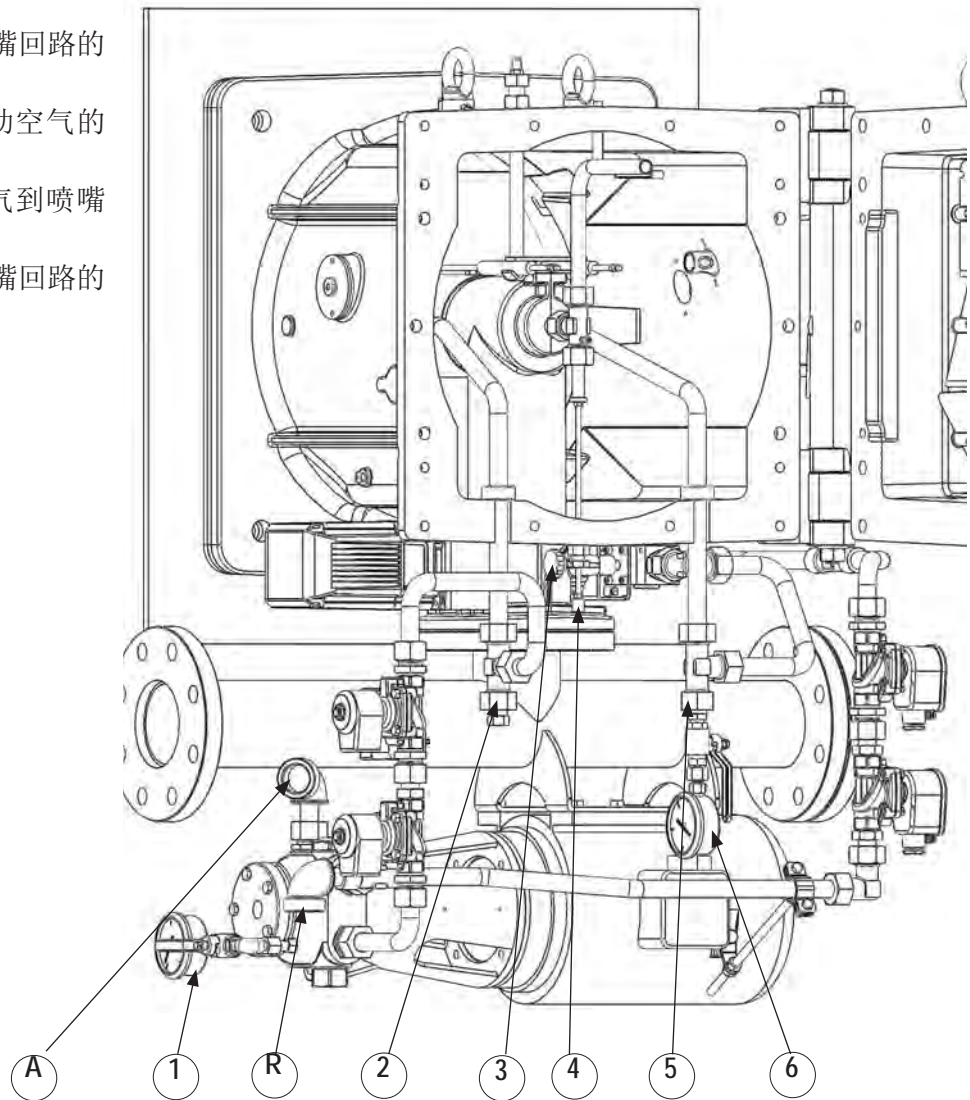
1	燃烧头
2	密封圈
3	燃烧器法兰接口
4	燃气蝶阀
5	燃气/柴油调节伺服马达
6	显示器设备
7	空气压力开关
8	空气调节伺服电机
9	电气面板
10	铰链
11	风机电机
12	进气输送机

13	油泵电机
14	柴油流量调节计
15	柴油返回电磁阀
16	柴油压力开关
17	燃气管路接口法兰(右侧或者左侧安装)
18	柴油泵
19	柴油进给电磁阀
20	压力出口/燃气接头固定螺丝
21	进给柴油的压力计
22	返回柴油的压力计

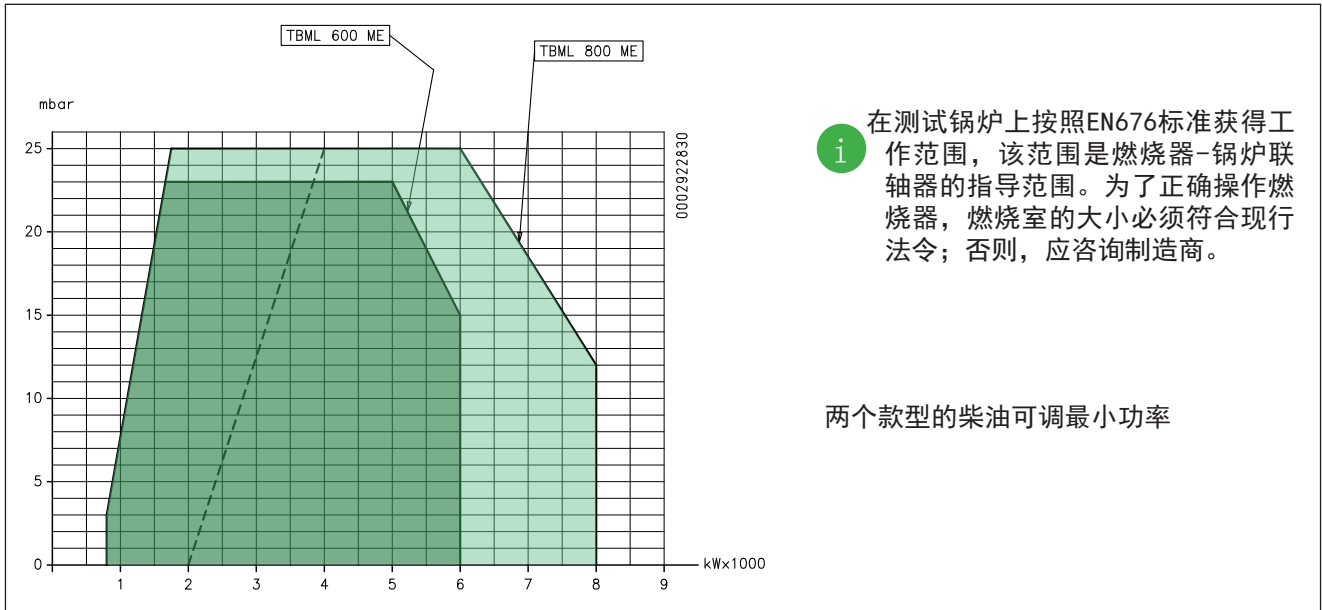
mod.	A	A1	A2	A3	A4	B	B1	B5	C	C1	D	D1	D2	E Ø	E1 Ø	F Ø	R1	R2	I	I1	L Ø	M	N Ø
TBML 600 ME	1230	570	660	335	425	1000	740	260	2020	190	715	570	100	418	432	DN80	1200	1310	520	520	594	M20	440
TBML 800 ME	1230	570	660	335	425	1000	740	260	2020	190	715	570	100	418	432	DN80	1200	1310	520	520	594	M20	440

- 1 发送柴油的压力计
- 2 清空发送柴油到喷嘴回路的螺母
- 3 打开/关闭喷嘴辅助空气的手杆锁定插栓
- 4 打开/关闭辅助空气到喷嘴的拉杆
- 5 清空返回柴油到喷嘴回路的螺母
- 6 返回柴油的压力计.

- A 柴油抽吸 (1" ¼)
 R 柴油返回 (1" ¼)



工作范围



在测试锅炉上按照EN676标准获得工作范围，该范围是燃烧器-锅炉联轴器的指导范围。为了正确操作燃烧器，燃烧室的大小必须符合现行法令；否则，应咨询制造商。

两个款型的柴油可调最小功率

结构特点

燃烧器包括：

- 轻质铝合金风机部分。
- 高性能离心风机。
- 进气输送机。
- 配有不锈钢喷嘴的燃烧头。
- 火焰查看窗。
- 风机驱动三相电机。
- 空气压力开关，用以确保存在燃烧空气。
- 调节、运行和安全阀、最小压力开关、压力调节器和燃气过滤器的完整燃气管路。
- 通过伺服电机调节燃料的送给，伺服电机能够控制燃气蝶阀和柴油流量调节计。
- 根据欧洲法令EN29，8带微处理器（电子凸轮）的燃烧器的自动命令控制设备集成了阀门检漏控制。工作顺序和错误代码的显示器被锁定。
- 通过紫外线光电管检测是否存在火焰。
- 电控板包括：启动/停止开关，关闭燃烧器按钮，燃料选择器，运行和锁定指示灯，电子凸轮编程键盘。
- 电气防护等级IP54。

功能技术参数

- 混合燃烧器能够在天然气和柴油（最大粘度20° C下1.5° E）燃料之间自由切换。
- 获得有关天然气的EN 676和有关柴油的EN 267欧洲法规的CE认证。
- 两种燃料都是二段渐进/比例调节式运行。
- Lamtec电子控制设备，型号BT 340，配有微处理器。
- 通过两个受电子控制设备操控的伺服电机来调节燃料和燃烧空气的流量
- 低排量的燃气部分循环式燃烧头（天然气EN676欧洲标准III级，柴油EN 267标准II级）。
- 两头开放式铰链便于连接搅拌器，而不需要将燃烧器从锅炉上卸下。
- 通过步进伺服电机调节空气的最小和最大流量，关闭风门避免壁炉的热损失。
- 根据欧洲标准EN676的阀门密封控制，以及功率调节（有关BT 340运行的细节请仔细阅读与燃烧器一起提供的“快速指南”手册）。
- 冷却柴油喷嘴的辅助空气调节装置

锅炉燃烧器的应用

燃烧头单元的安装

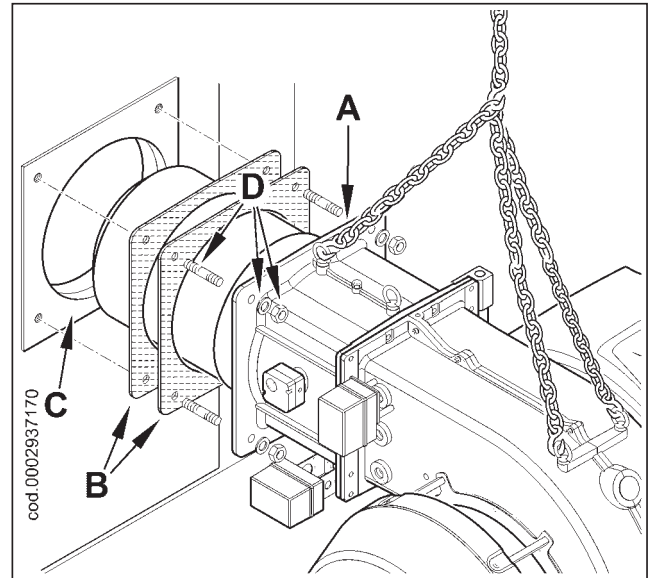
1) 检查燃烧头深入锅炉的位置，以保证能够满足锅炉对燃烧室的要求范围。

将燃烧器安装在锅炉上之前，要确定喷嘴符合功率要求，如果不符合需根据图标指示进行更换 стр. 15 移动燃烧器时建议用合适的起重工具连接图0002937170所示的吊环。

在锅炉门上固定燃烧器，方法如下：

- 将两个隔热垫圈 (B) 放在燃烧器接口法兰 (A) 上
- 用双头螺柱、垫片、以及螺母 (D) 把法兰 (A) 和锅炉 (C) 连接起来。

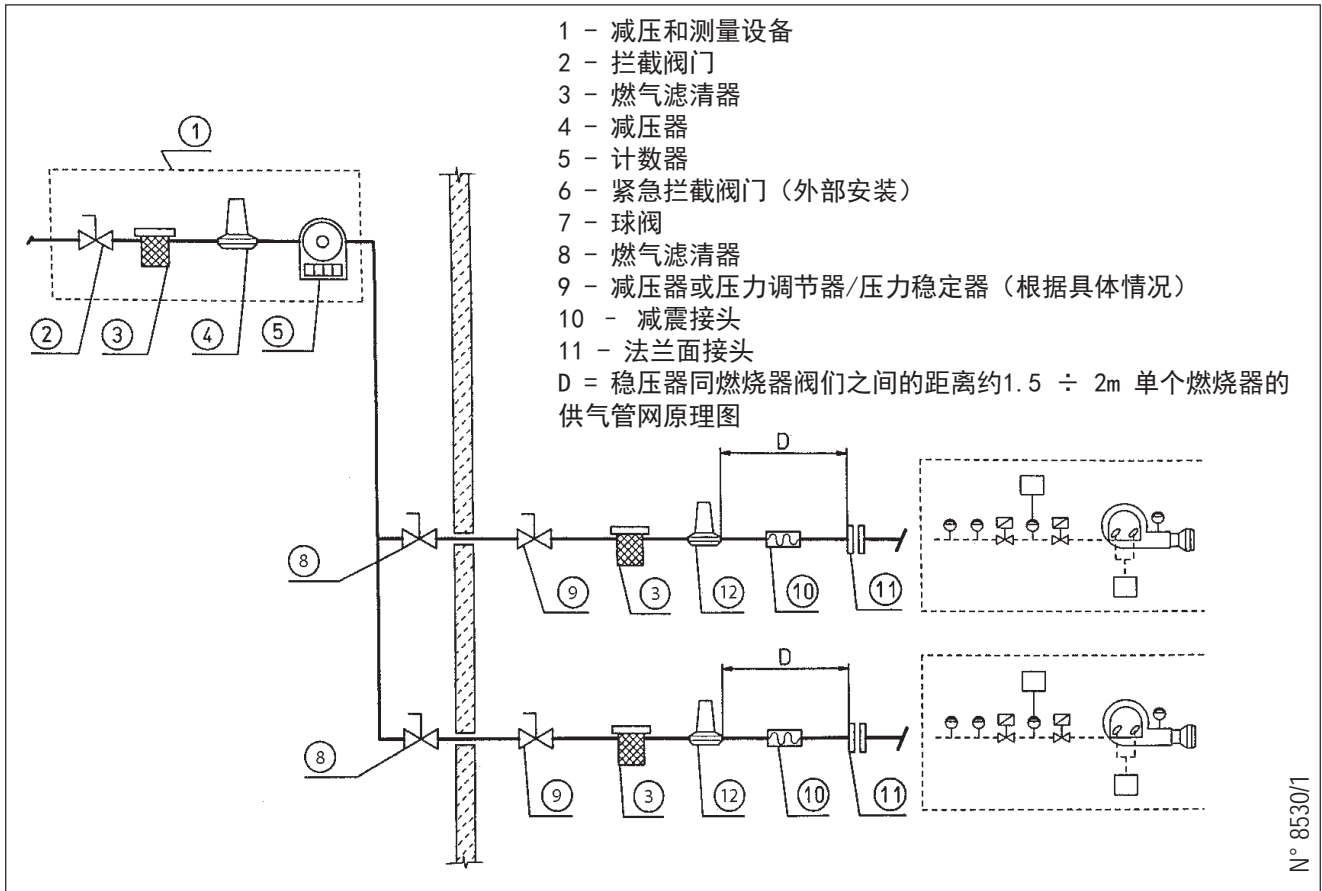
! 请用适合的材料将燃烧器鼓风管和炉墙之间的空隙封好。



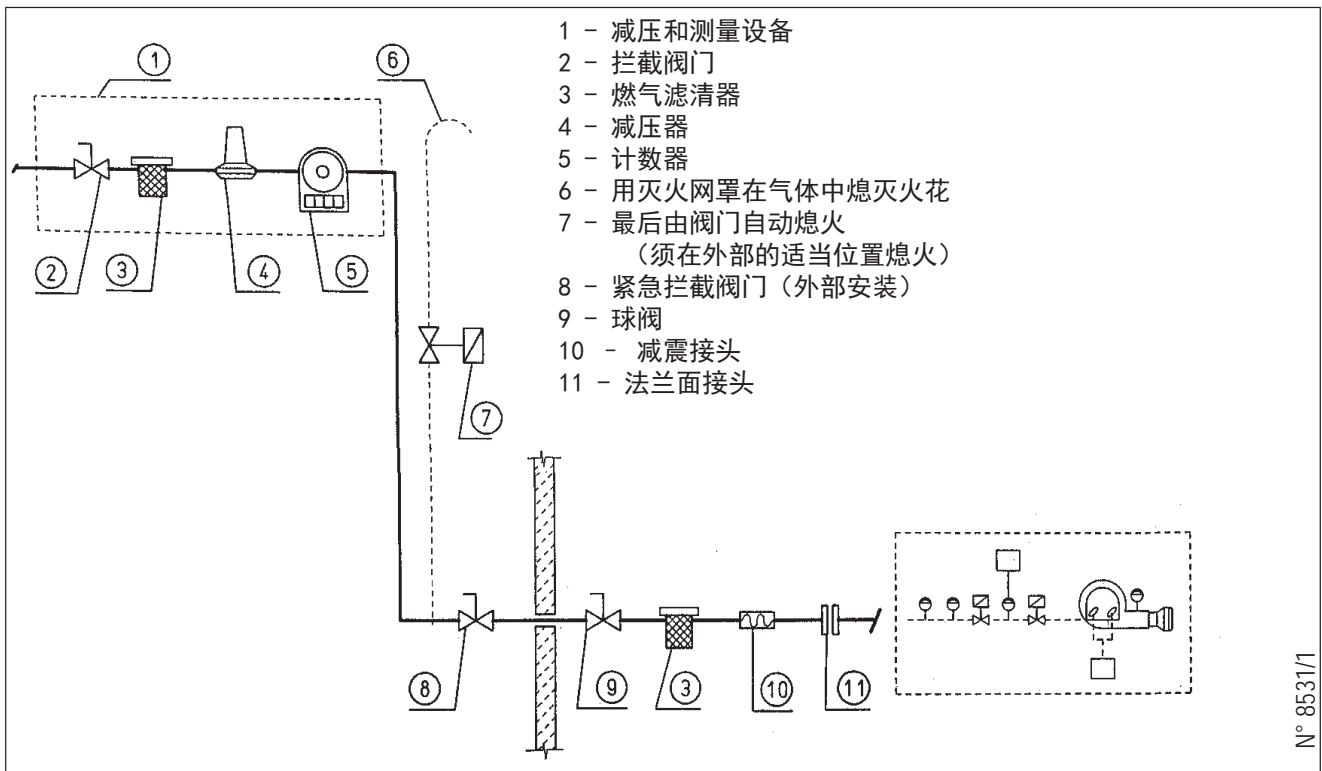
电气连接

燃烧器到电气联接已被尽量简化了。建议所有的电器联接都用软电线联接。电线必须与热源保持足够的距离。检查并确保主电路中带有熔断器的电源（必须）以及限流器（可选）都可以成熟燃烧器所要求的最大电流。确保所用电线能够承载燃烧器所要求的电压和频率。

更多燃烧器与平均压力下燃气管网连接的原理示意图



燃烧器与平均压力下燃气管网连接的原理图



带燃料的供应设备（柴油）

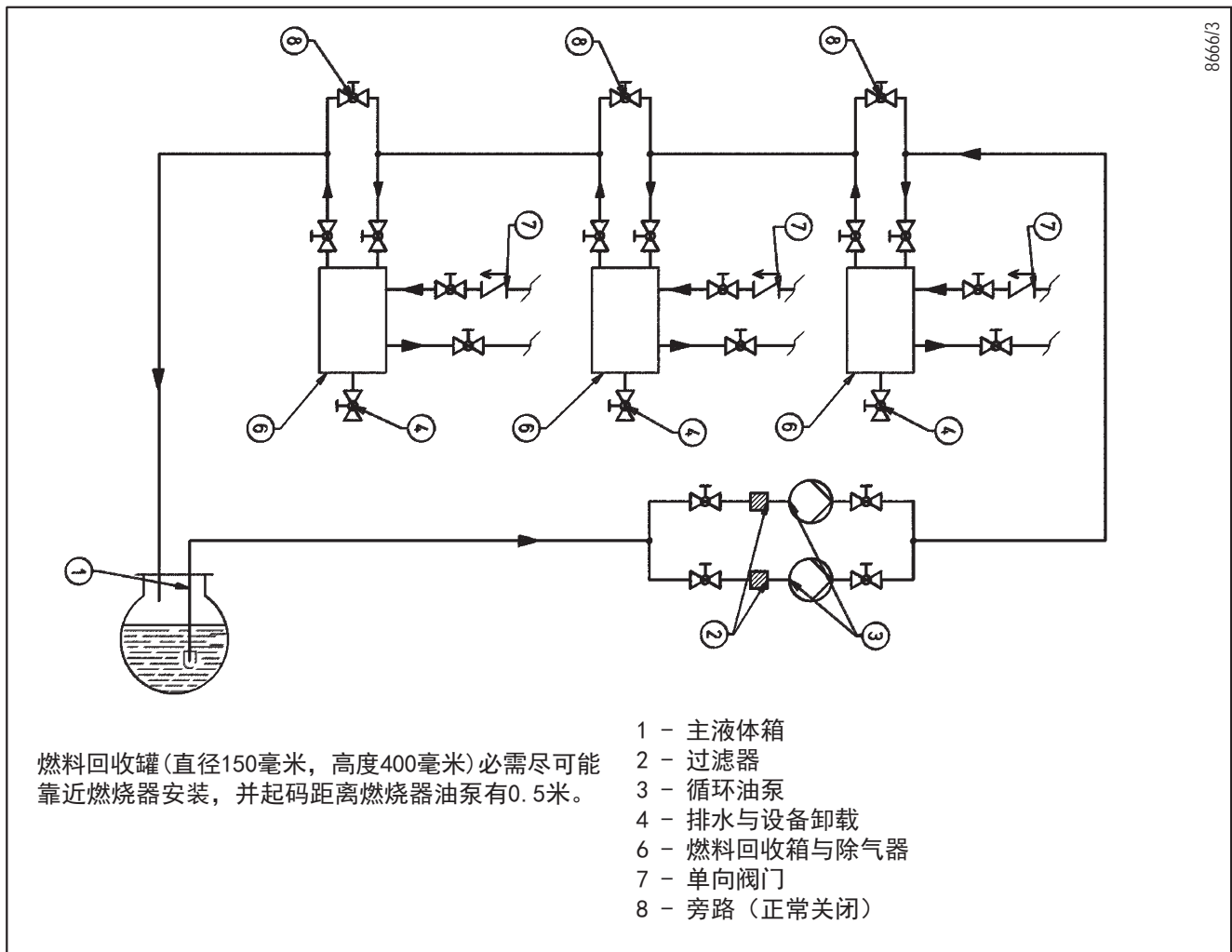
供油系统中必须有一个辅助泵，在某些情况下，还需要配有调节范围包括0.5bar到3bar的压力调节器。这种情况下，燃烧器泵部的进油压力（0.5bar-3bar）在燃烧器关闭和燃烧器运行时在最大进油率的情况下不应有变化。通常来说，通过下方图表也可以不安装压力调节器实现该回路。燃料提供机器动力的回路应该与我们的图表8666/3相同

管道的尺寸要跟管道长度和所使用的泵的输出量匹配。我们的说明手册涵盖了所高效操作的一些基本措施。须遵守的防污染条例以及当地部门的规定，应在专门的公示中公布出来。

混合燃烧器点火细则

建议第一次点火时使用液体燃料，因为在这种情况下，液体燃料的供应受制于可用的喷嘴，而使用甲烷点火则取决于流量调整器的燃气的供应。

供料原理液压图，用于一个或多个柴油二段式或比例调节燃烧器，柴油最大粘度为50° C下5° E



燃气管路的安装

燃气管路符合EN676标准，与燃烧器分别提供。
燃气管路有A、B两种安装方式。根据锅炉的位置以及燃气进口的位置选择最合适的安装方法安装。

铰链装置的装配

燃烧器配有两头开放式铰链，因此可以交换通风系统的开放口。供给的燃烧器铰链安装在右侧。为了能够打开至最大并是维护更方便操作，建议把铰链放置在燃烧器上相对于安装燃气管路相反的位置。

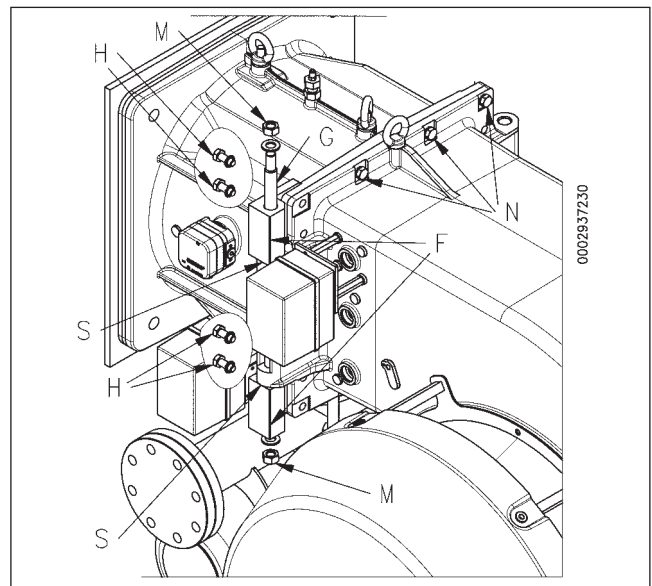
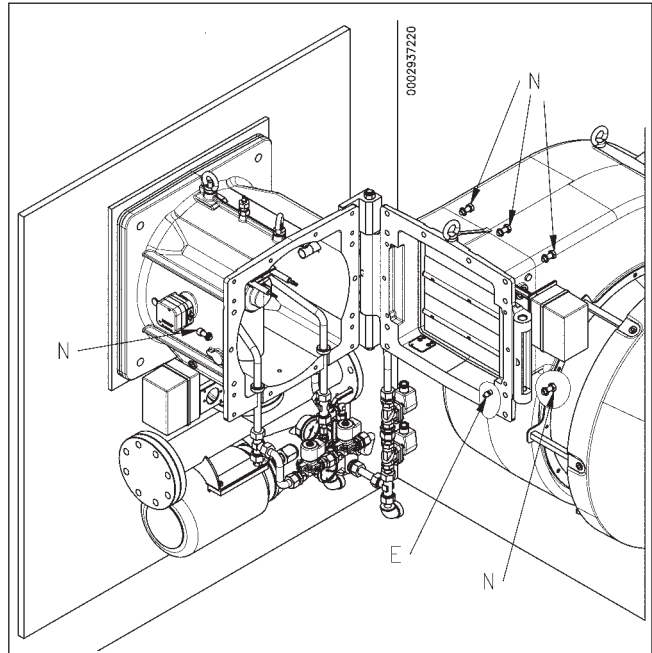
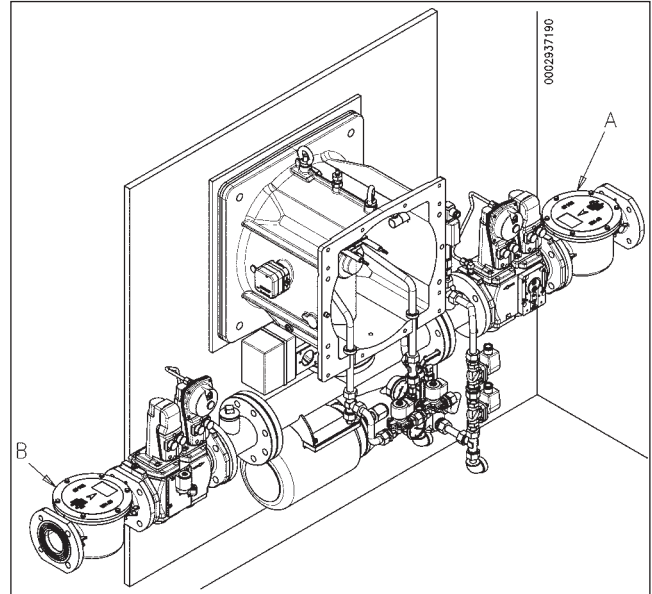
如果需要将铰链安装在左侧，按照以下程序进行：

- 将燃烧器安装在锅炉上之后，拧下紧固螺钉N并适当打开风机以移除对中柱销E（0002937220）。
- 重新关闭燃烧器并拧紧螺钉N，拆下两个铰链F和柱销G。
- 取下3个螺钉N及法兰左侧相应的垫片，将其安装在右侧，即移走铰链后留下来的孔的位置。
- 将铰链安装在燃烧器左侧（0002937230）。

! 开始安装两个铰链F时先不要完全拧紧螺钉H。首先要确认两个铰链的卡口的表面S是否与蜗壳的表面完全接触。要实现该条件，需首先拧紧2个螺母M和相应的垫片。螺母不要旋得过紧，否则可能影响铰链的旋转。拧紧螺钉H完成操作。

- 重新打开风机体检查铰链装置是否正确旋转，将对中柱销E重新装到风机法兰一侧，与铰链的相反，便于燃烧器的闭合。

! 每次打开燃烧器时首先要断开燃气蝶阀伺服电机的连接器、柴油压力调节器、燃气电磁阀和柴油回路电磁阀。

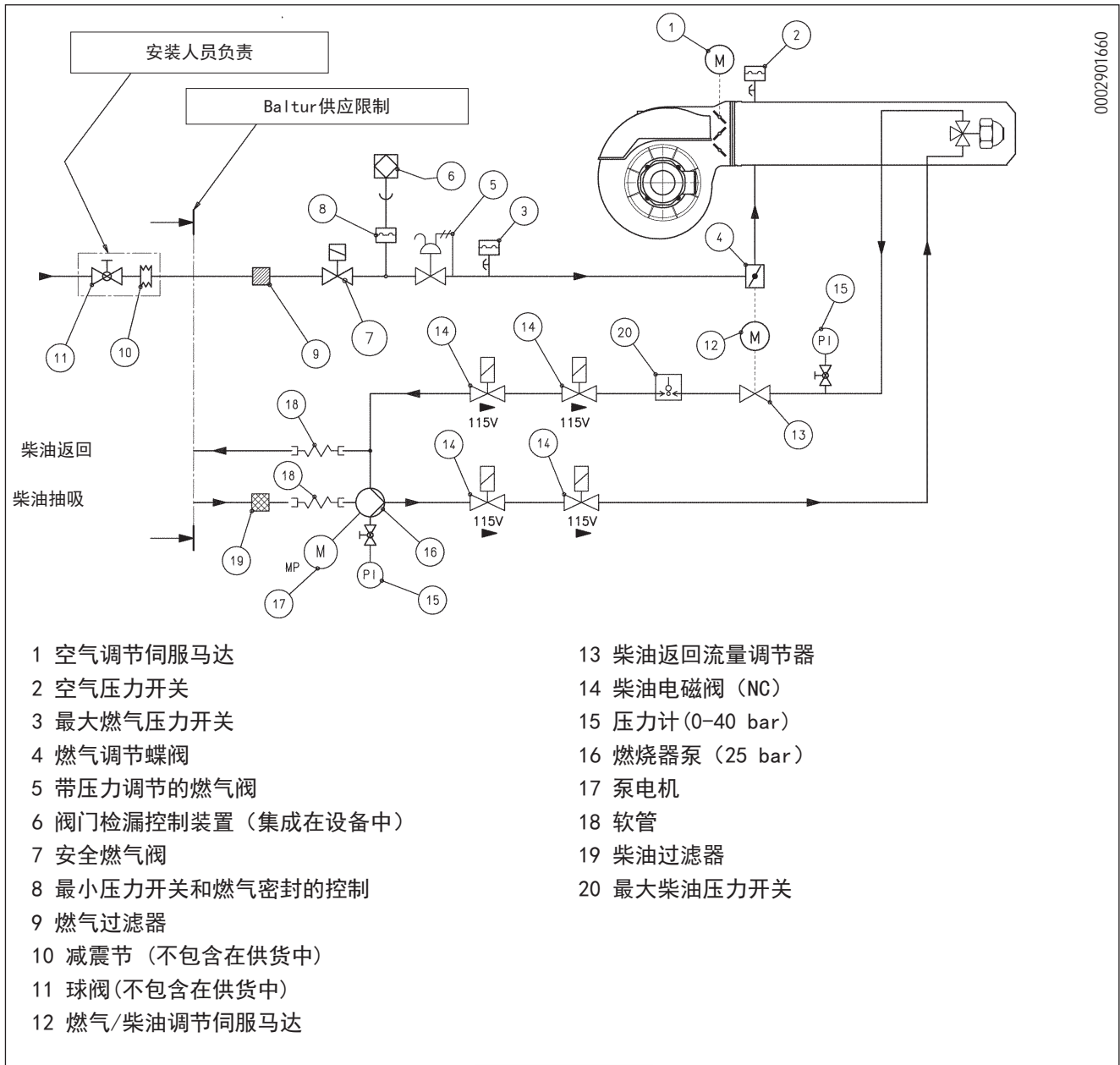


燃气管路的原理图

! 手动截止阀门和减震联轴器必须按照图中指示，装在燃气阀门的上游。

建议调压器安装在水平管路上，在过滤器之后。调压器必须在燃烧器实际最大出力的状态下调节。实际的输出压力一定要比能够达到的最大输出压力小一些（也就是几乎将调节螺丝旋转到底）；一般而言，旋紧调节螺丝增大输出压力，反之则减小输出压力。

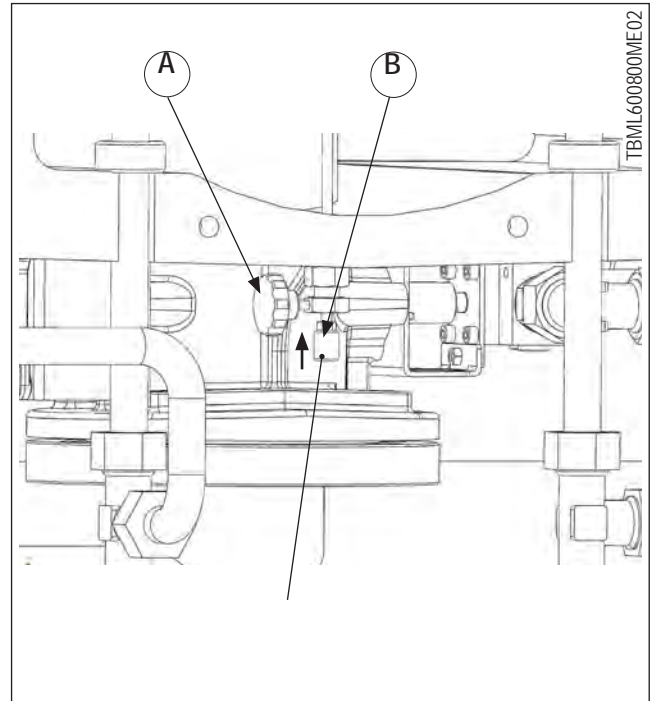
TBML 600 / 800系列混合燃烧器原理图



- | | |
|---------------------|-------------------|
| 1 空气调节伺服马达 | 13 柴油返回流量调节器 |
| 2 空气压力开关 | 14 柴油电磁阀 (NC) |
| 3 最大燃气压力开关 | 15 压力计 (0-40 bar) |
| 4 燃气调节蝶阀 | 16 燃烧器泵 (25 bar) |
| 5 带压力调节的燃气调 | 17 泵电机 |
| 6 阀门检漏控制装置 (集成在设备中) | 18 软管 |
| 7 安全燃气阀 | 19 柴油过滤器 |
| 8 最小压力开关和燃气密封的控制 | 20 最大柴油压力开关 |
| 9 燃气过滤器 | |
| 10 减震节 (不包含在供货中) | |
| 11 球阀 (不包含在供货中) | |
| 12 燃气/柴油调节伺服马达 | |

柴油点火与调节

- 将操作盘上的开关设在“0”位置（打开）。
- 将选择器“更换燃料”设在“油”位置。
- 关闭闸门并打开截流装置。
- 拧松插栓（A）并向下拉动手杆（B），直至到达机械停止位置，给燃烧头打开辅助空气。然后重新拧紧插栓（A）。
- 检查锅炉里是否有水，系统的总阀门是否打开。
- 确保燃烧产物的顺利排放。（锅炉和烟囱的风道应该处在开放状态）。
- 检查与燃烧器连接的供电电路的电压是否符合制造商的要求并检查电机的电气联接是否根据电压情况预先准备。此外，检查现场的所有电气连接是否与电气连接图的要求严格相符。
- 打开燃料供给辅助线路，保证可用，将其压力调节至0.5-3 bar（如果线路自带压力调节器）。
- 将泵上的真空表连接点移去，接着稍微开启燃料入口处的门闸。等待燃油流出管孔，直到没有气泡以后，再重新关闭阀门。如果供应回路中无压力，可以往泵机的软管中注入燃料。
- 在真空表与泵的接合处插入压力计（全量程大约4 bar）以便调节压力值，在该压力下燃料流到燃烧器的泵。燃料压力应在0.5-3bar之间，燃烧器关闭时也是如此。
- 打开柴油管路上的各闸门。
- 给燃烧器通电。手动按住接触器，检查风机和泵的电机转动方向是否正确。需要时，调换主线的两条供电电线的可改变旋转方向。
- 手动按住接触器开启燃烧器泵直到真空表上测出一点工作压力。压力的出现说明燃油已经开始流入填充。
- 将操作盘的开关(1)设在“I”档给设备通电，将选择器(2)设在“关闭”位置关闭温控器线。如果温控器和压力计（安全装置和锅炉）为关闭状态，就会启动运行循环。设备点火。有关如何调节燃烧器请参阅“编程快速指南”以及“BT 340”电子凸轮的使用说明。
- 检查火焰检测器的运转。
- 火焰传感器
火焰的检测是通过紫外线光电管来实现的，需遵守以下规定。少量的油脂会严重破坏紫外线的辐射通道，阻碍内部的感应件接收正常运转所需的辐射量。如果灯泡受到污染也必须适当清洁干净。用手指简单的接触，也会造成污染，从而影响 UV 紫外线透光镜的正常功能。光电管无法“看到”白天的光线或者普通照明灯的光。可用火焰检查敏感度（打火机，蜡烛）。为保证正常工作，光电管的电压



需足够稳定，不得低于设备要求的最小值。
可在电路图所示的电控板端子之间进行检查。

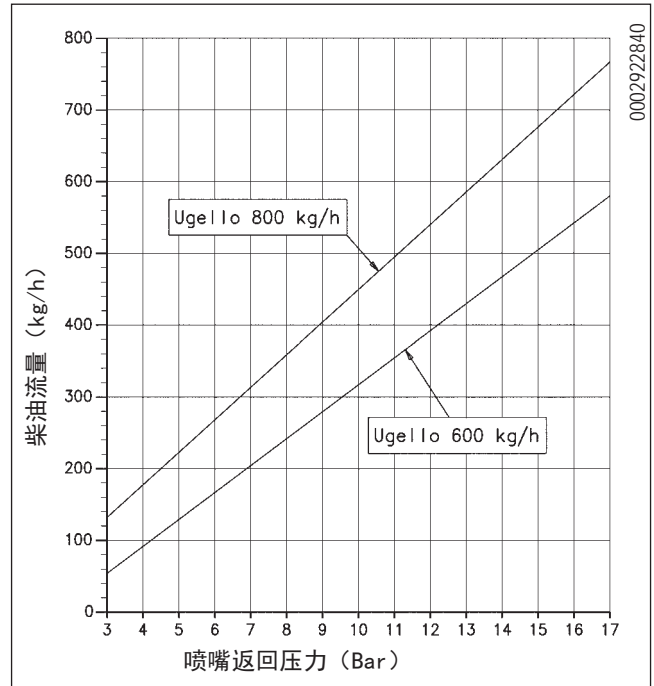
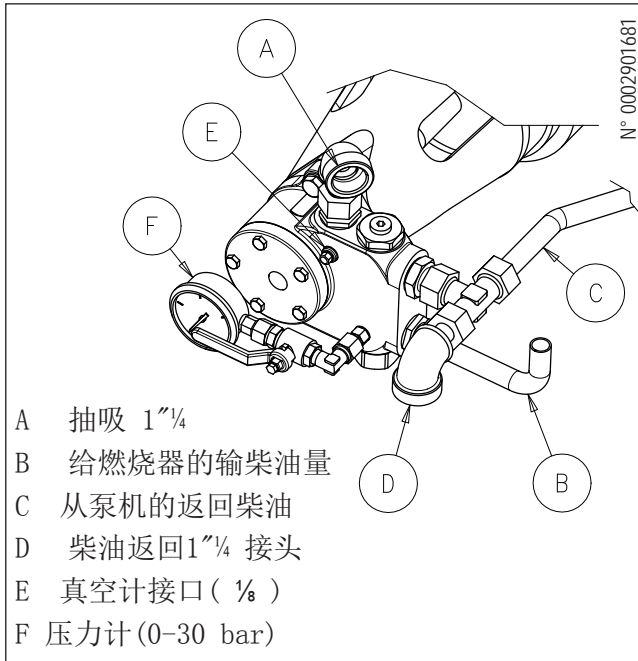
- 当燃烧器在“最低”条件下运行时，要调节空气和柴油的流量以确保良好的燃烧。
- 调节空气到“最低”后，按照设备说明书的要求提高功率并定义工作曲线。建议用特殊工具检查燃烧的状态，在所有比例曲线的中间点上进行检查。当泵机压力为25 bar (0002922840 c т р. 15) 情况下，回压大约为17-18 bar时，即达到最大流量。建议烟雾中二氧化碳的含量不要超过13%。

FLUIDICS无针喷嘴

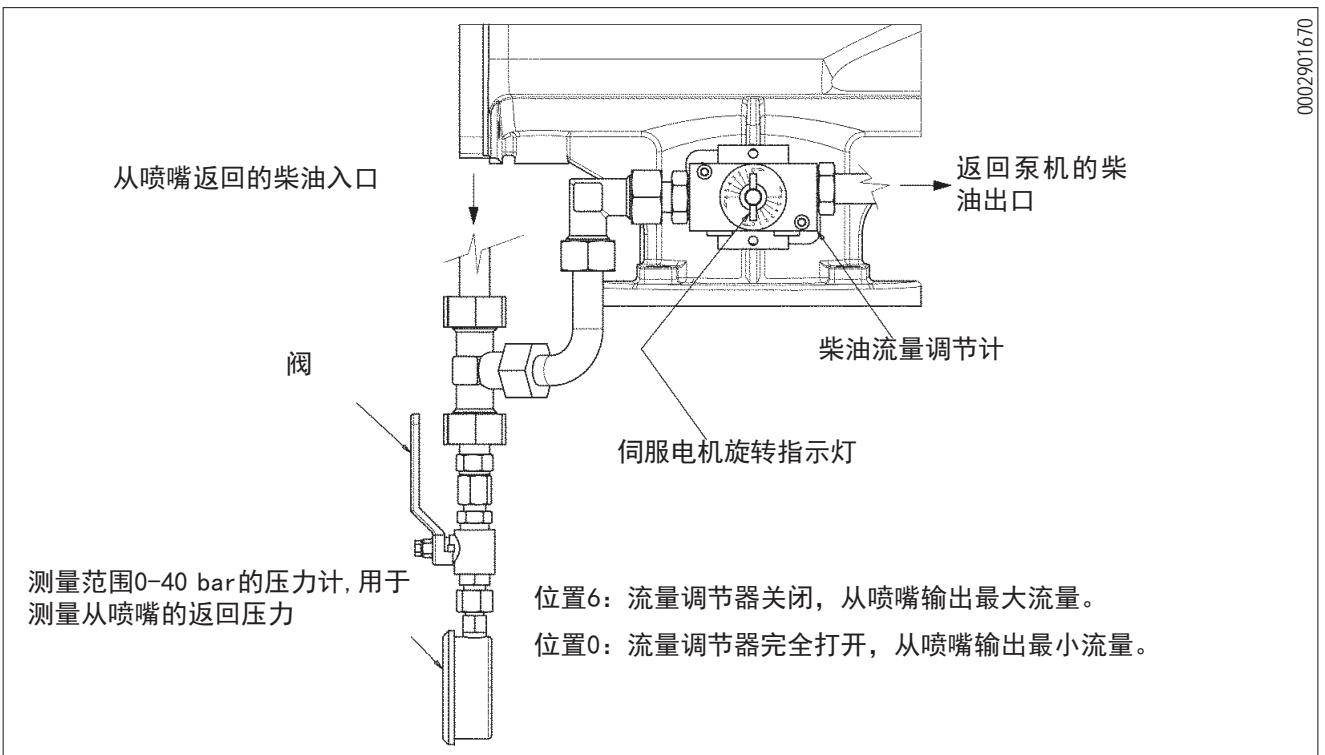
柴油运行时要根据所调整的最大热输出选用600 kg/h或者600 kg/h的FLUIDICS N2 45° 无针喷嘴。
在图0002922840中有两条曲线，表示在不同的返回压力下，两个喷嘴所输送的燃料流量值。这些曲线是在柴油泵压力为25bar情况下得出的。

返回压力值需在测量范围为0-40bar的压力计上测得，如图0002901670。

HP泵机型号VBH的接线图

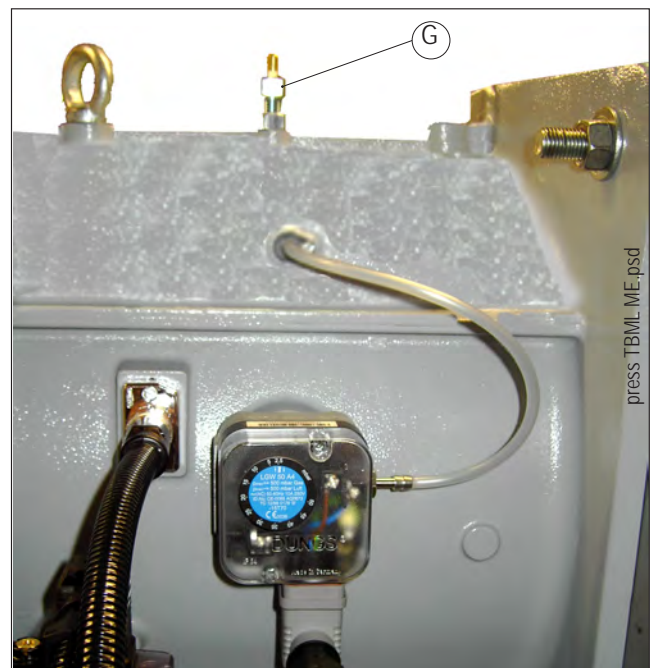
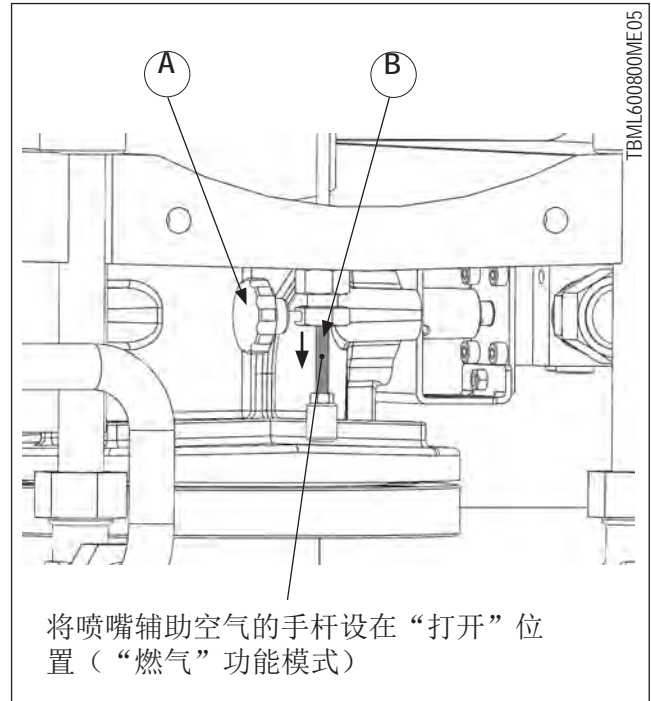


流量调节器的接线图



燃气（甲烷）的点燃和调整

- 将操作盘上的开关设在“0”位置（打开）。
- 将选择器“更换燃料”设在“燃气”位置。
- 拧松插栓（A）并向下拉动手杆（B），直至到达机械停止位置，给燃烧头打开辅助空气。然后重新拧紧插栓（A）。
- 关闭闸门并打开截流装置。
- 检查锅炉里是否有水，系统的总阀门是否打开。
- 仔细检查燃烧的产物能否顺利的排出。（锅炉与烟筒的排气门是否打开）
- 检查与燃烧器连接的供电电压是否符合燃烧器要求，同时检查供电线路或电机的电气连接是否符合可用电压值。检查现场的所有电气联接是否与电气联接图的要求严格相符。
- 如果燃烧器到燃气管道的连接尚未完成，必须认真地要在管道中执行空气清洗，并打开门窗。需要开启燃烧器附近管道上的阀门，然后稍微打开燃气截止阀。当闻到燃气的特别气味时关闭阀门。请根据具体的情况等待足够的时间，以使厂房内存在的燃气扩散到外部，然后恢复燃烧器和燃气管道的连接。
- 在燃气压力开关的开孔上安装一个量程合适的压力表（对于中压供气系统来说如果可以使用水柱压力计就不要使用指针压力计）。
- 在燃烧器控制盘上的开关放在0的位置而且总开关接通的情况下，手动关闭接触开关，检查电机的转向是否正确，如果电机反转，则要改变为电机供电的任意二根接线，使电极改变转向。
- 将操作盘的开关(1)设在“1”档给设备通电，将选择器(2)设在“关闭”位置关闭温控器线。如果温控器和压力计（安全装置和锅炉）为关闭状态，就会启动运行循环。设备点火。有关如何调节燃烧器请参阅“编程快速指南”以及“BT 340”电子凸轮的使用说明。
- 检查燃烧器点火情况下火焰检测器（紫外线光电管）的运转，将其从燃烧器上拔下看是否立即停机。
- 检查锅炉恒温器和压力开关的运作是否正常（切断后应使燃烧器停机）。
- 火焰传感器
火焰的检测是通过紫外线光电管来实现的，需遵守以下规定。少量的油脂会严重破坏紫外线的辐射通道，阻碍内部的感应件接收正常运转所需的辐射量。如果灯泡受到污染也必须适当清洁干净。用手指简单的接触，也会造成污染，从而影响 UV 紫外线透光镜的正常功能。光电管无法“看到”白天的光线或者普通照明灯的光。可用火焰检查敏感度（打火机，蜡烛）。为保证正常工作，光电管的电压需足够稳定，不得低于设备要求的最小值。



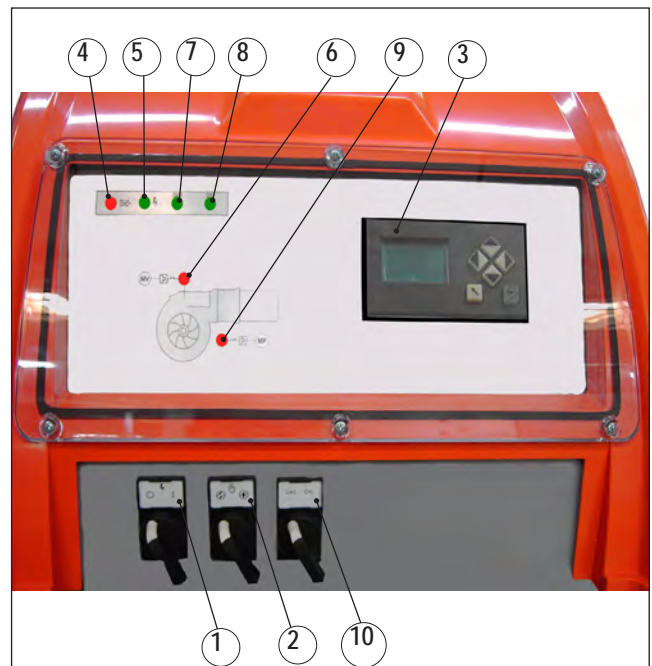
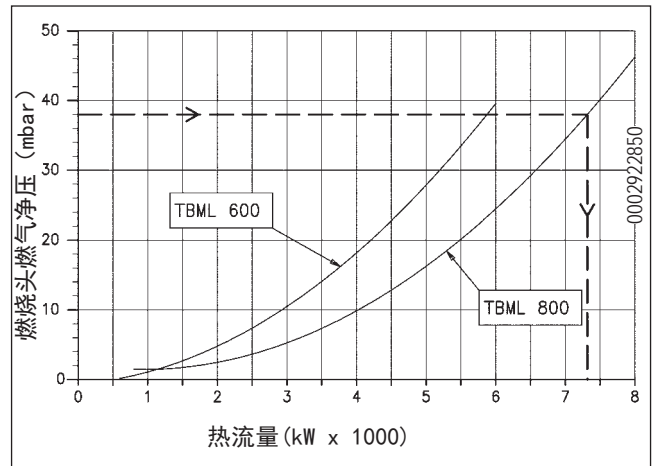
可在电路图所示的电控板端子之间进行检查。

- 当燃烧器在“最低”条件下运行时，要调节空气和燃气的流量以确保良好的燃烧。
- 调节空气到“最低”后，按照设备说明书的要求提高功率并定义工作曲线。建议用特殊工具检查燃烧的状态，在所有比例曲线的中间点上进行检查。
- - 调节了空气和燃气后，要通过仪表读数来检查燃气的量是否能够有效供应。如果燃烧的热量高于锅炉允许的最大量，应停止运行燃烧器，以避免可能的损害。在定义比例曲线时，通过测量燃烧头上的燃气纯压可以获得中间点输出的热流量估计值。将一个合适的压力计连接到压力接口（G）上（见照片），并测量燃气的压力。从图（0002922850 c т р . 17）中获取根据不同测量压力值（扣除燃烧室内的反压）情况下的输出热流量。

! 该方法只能获得燃烧热流量的近似值，要获得精确值需读取燃气表。

例如：

- 燃烧器 TBML 800
- G接口处测量的压力：Ptc=48 mbar
- 燃烧室中测得的反压：Ptc=10 mbar
- 燃烧头的压力值，扣除燃烧室的反压：P=48-10=38 mbar
- 从图中P=38 mbar处，可得出燃烧热输出量为约7300kW。



- 1 启动-停止主开关
- 2 温控线开关
- 3 显示器 BT 340
- 4 设备锁定灯
- 5 电压激活灯
- 6 风机锁定（如果有）
- 7 燃气运行指示灯
- 8 柴油运行指示灯
- 9 泵电机锁定
- 10 （燃气/柴油）燃料选择器

synoptic_TBML 800 ME

空气压力开关的运行描述

空气压力开关的作用是当空气压力不是正确值时燃烧器将安全停机。因此，对空压开关的设置要保证当燃烧器空气压力不足时就能介入干涉。

为了确保空压开关的正常运作，燃烧器以最小供给运行，逐渐增加调节值，直到某一数值，燃烧器会立即停机。按下按钮，复位燃烧器，重新设定空压开关使其调节到一个足够的值，以保证燃烧器在最初几次预吹扫期间能够检测到风压。

燃气压力开关的运行描述

检查燃气压力的气压保持器（最小与最大）目的是当燃气压力没有达到预期数值时阻止燃烧器运转。空气压力开关的连接回路是自控的，如果相关的设备没有激活的话（风机停机，或压力不够的时候）它一定要保持这种状态，另外当NO空气压力开关应该闭合而没有闭合的时候，设备将向下执行指令，但点火变压器不会点火，点火阀也不会打开，燃烧器停机。所以，调节最小和最大燃气压力开关应该在燃烧器启动的瞬间，根据那一时刻观察得到的压力值来进行。压力开关的连接方式就是，将压力开关打开至最大就立即锁定燃烧器。压力开关开至最小燃烧器立即停机并进入待机状态直至压力恢复到正常运行所需的范围内。然后燃烧器自动重启并点火。

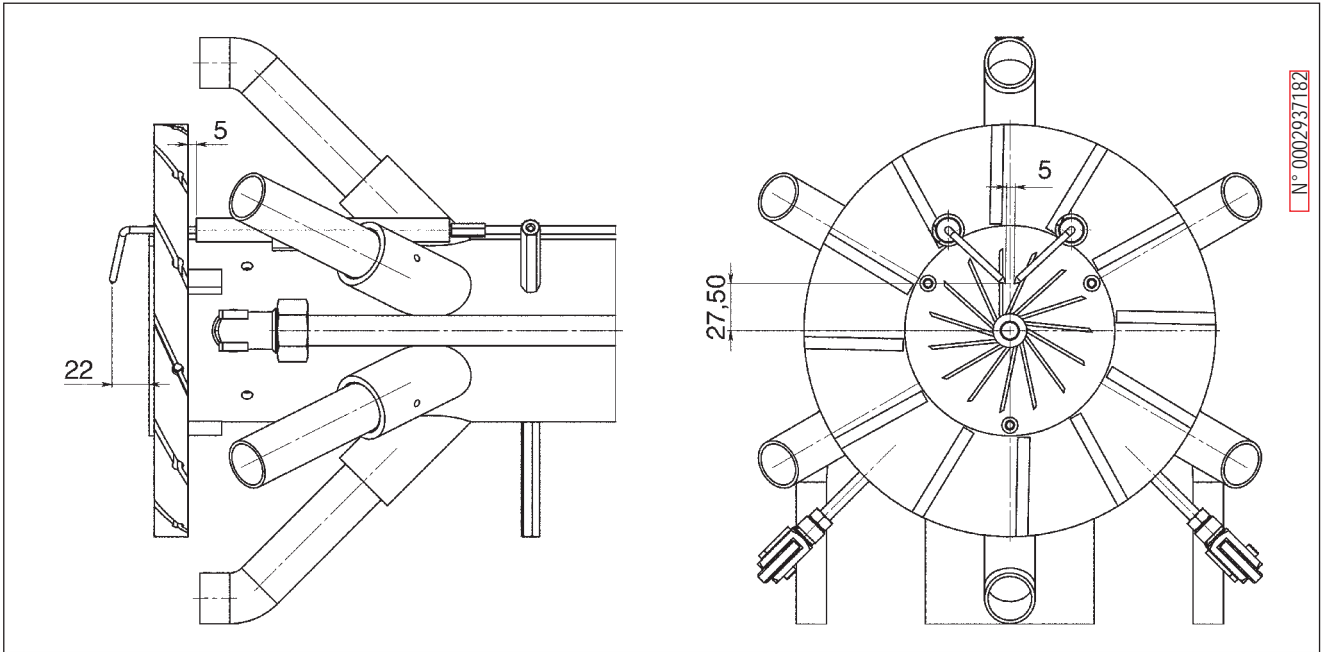
燃烧器点火之前的调节：把最小压力开关调到最小，把最大压力开关调到最大。燃烧器校准后的调节：燃烧器在最大供气下运行时，调节最小压力开关，增加校准值，直至燃烧器熄火，在调节环上读数，并将其调低5mbar。燃烧器调至最小的状态下调节最大压力开关，降低校准值，直至NC（通常关）触点打开。在调节环上读数，并将其调高5mbar。

! 如果燃气阀组只有一个压力开关，则这个压力开关为最小压力开关。





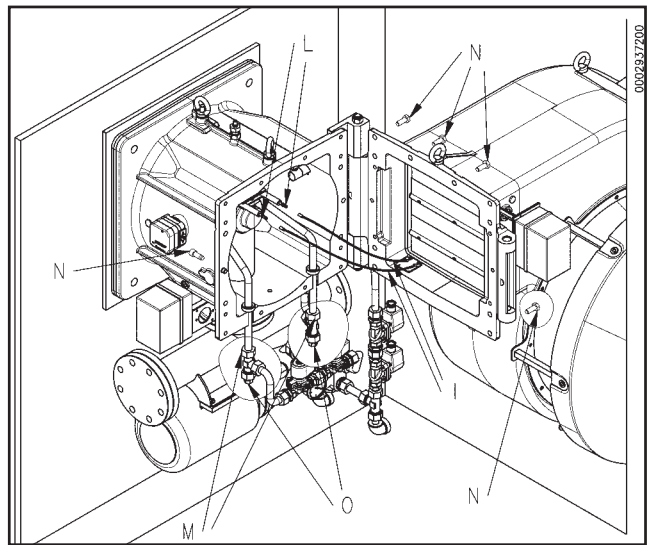
火焰盘-电机间距与燃烧头调节图



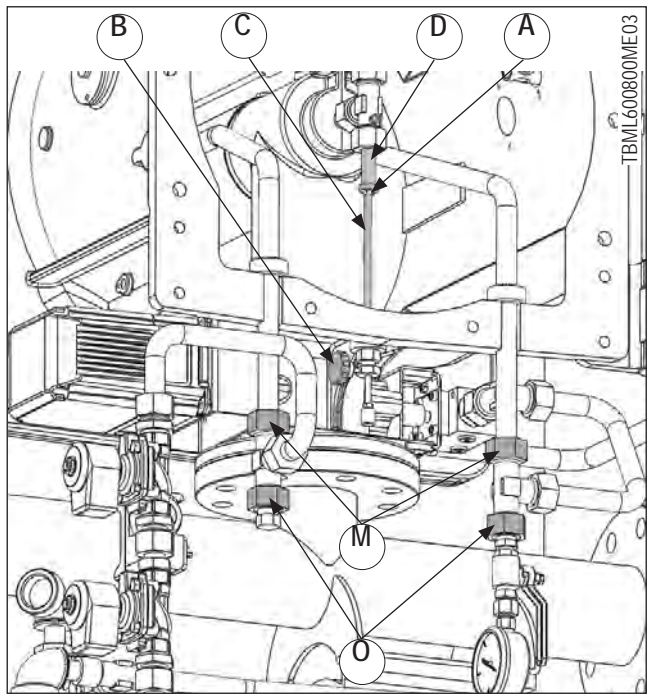
维护

燃烧器不需要进行特殊的维护。然而，一个好的做法是，至少应当在供暖季节结束时执行下列任务：

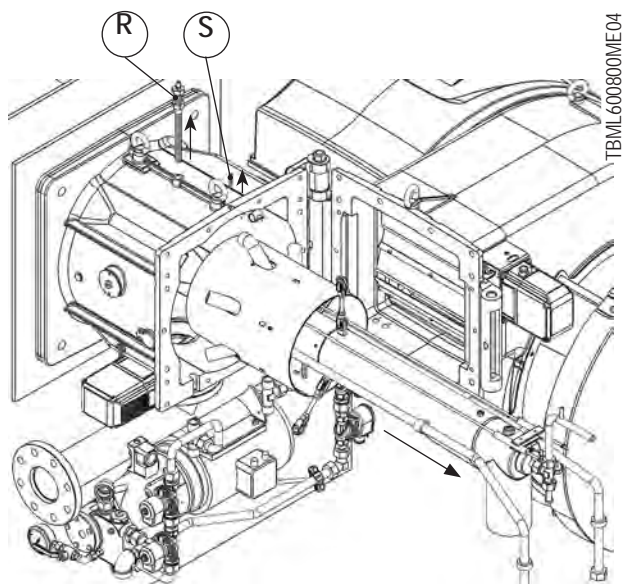
- 清洁风门、带压力插头的空气压力开关和相应管子。
 - 清洁光电管
 - 必要时清洁锅炉和排烟管（由专业工人操作）；干净的锅炉具有更佳的性能、更长的寿命，且噪音降低。
 - 定期检查燃气燃烧器的燃气过滤器是否干净。
 - 清洁燃烧头时必须拆下喷嘴上的各部件。重新组装的期间必，需让燃气输出头与电极完全对中，以免导致燃烧器堵塞。如图0002937182调节好两个电极后，检查火花塞是否电极尖点间打火。
 - 分析排烟成分和检查排放值的准确性。
 - 检查燃烧头部分的所有部件，确认处于良好的状态，没有因为高温而变形，也没有因为安装环境或者是燃烧不好而弄脏；检查电极是否能工作正常。如果是有必要清洁燃烧头的外部，按如下所述方法拆除零件：
 - 拆卸
 - 拆卸
 - 拆卸N
 - 拆卸L
 - 拆卸O
 - 拆卸A、B、C、D
 - 拆卸P、R、S
- 0002937182стр. 19



0002937200



TBML600800ME03

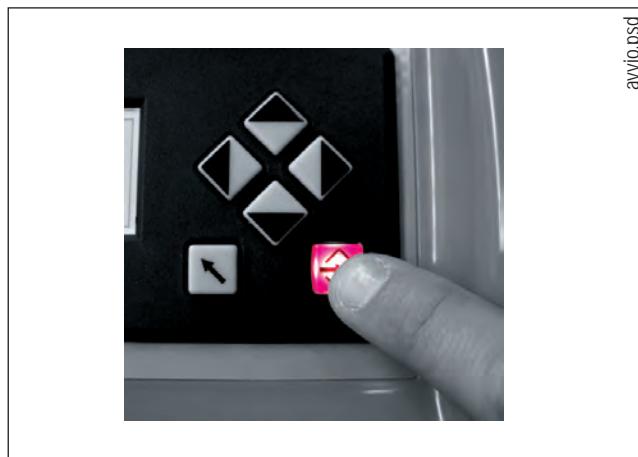


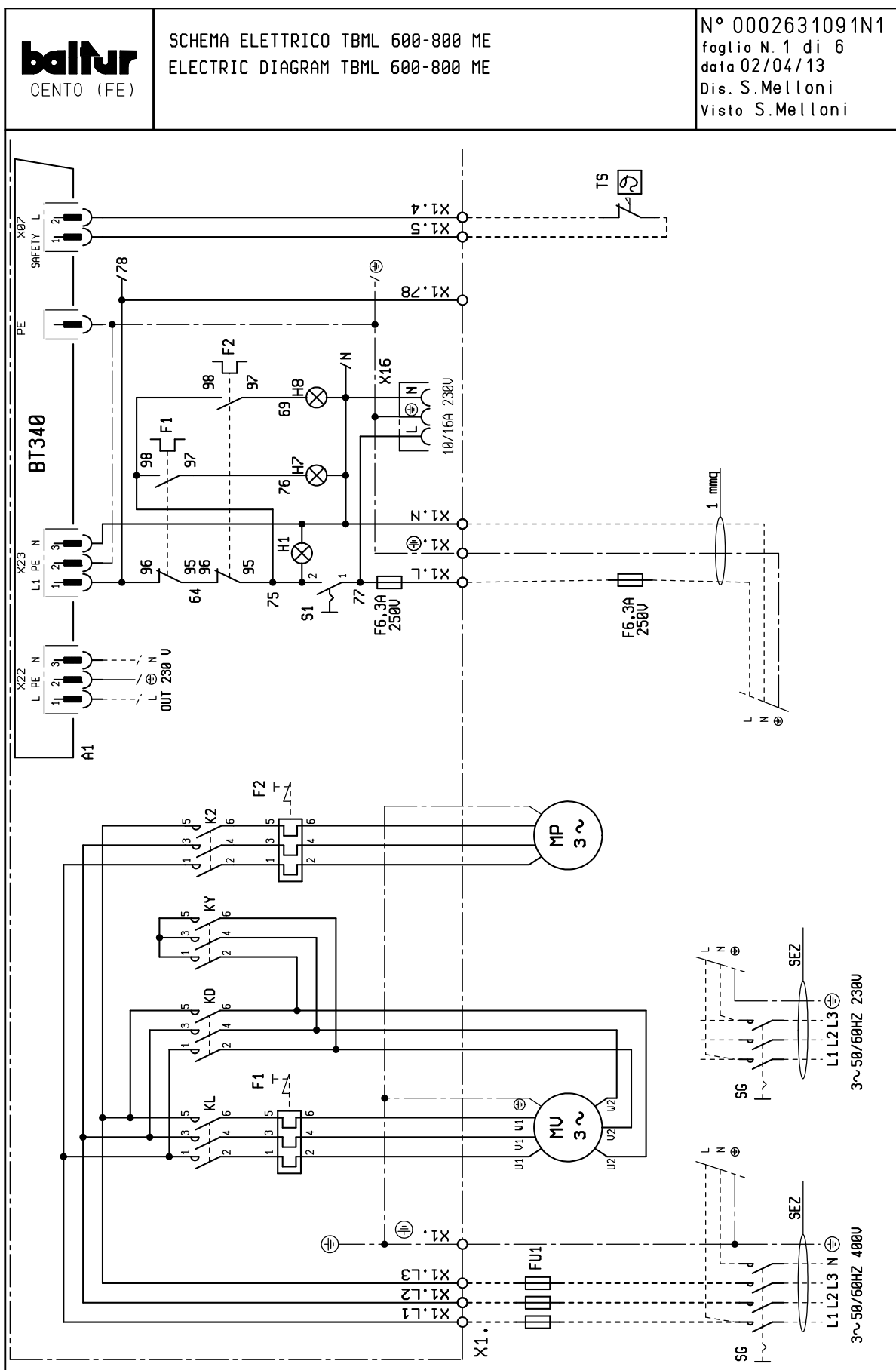
TBML600800ME04

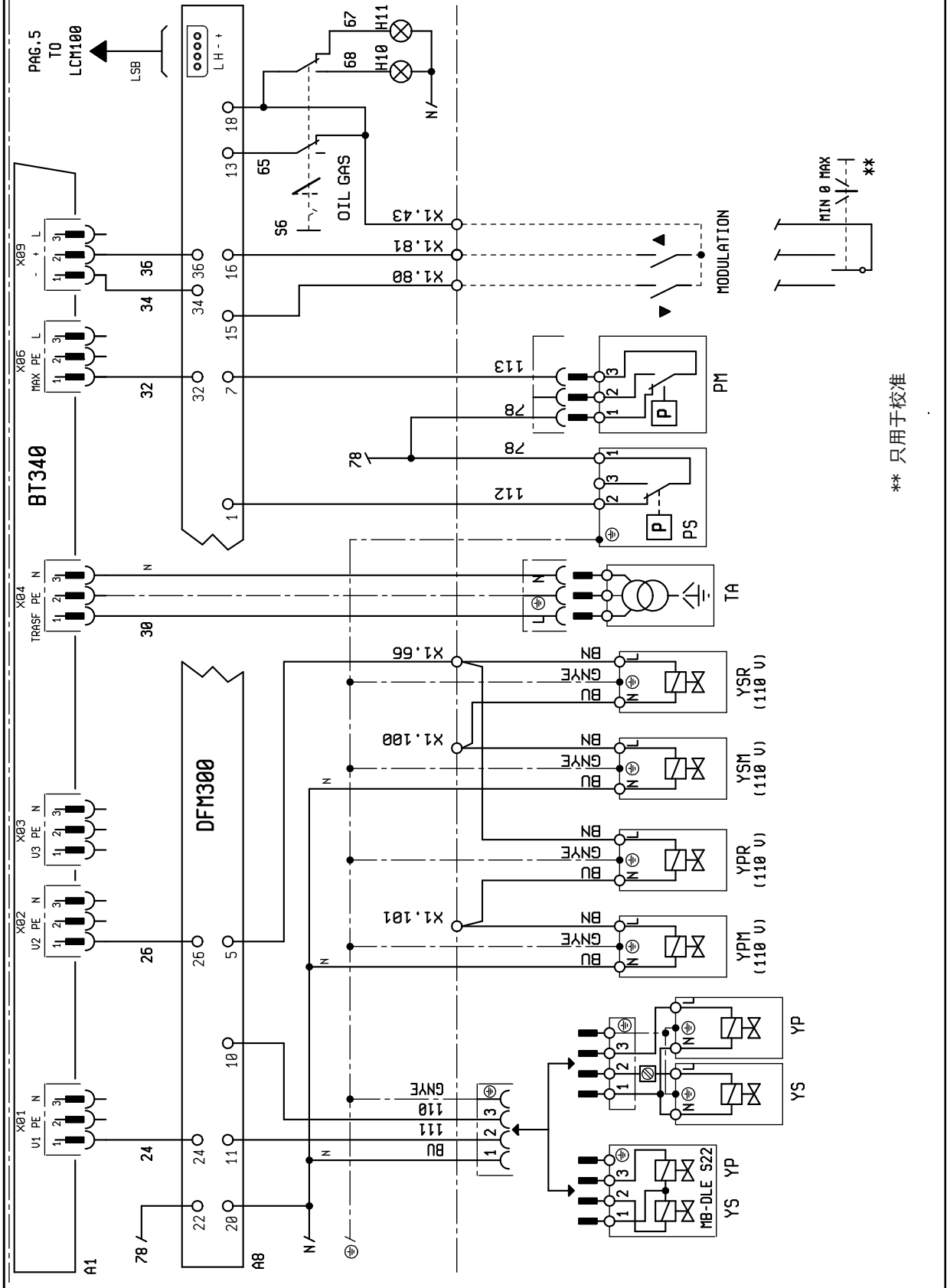
燃烧器的使用

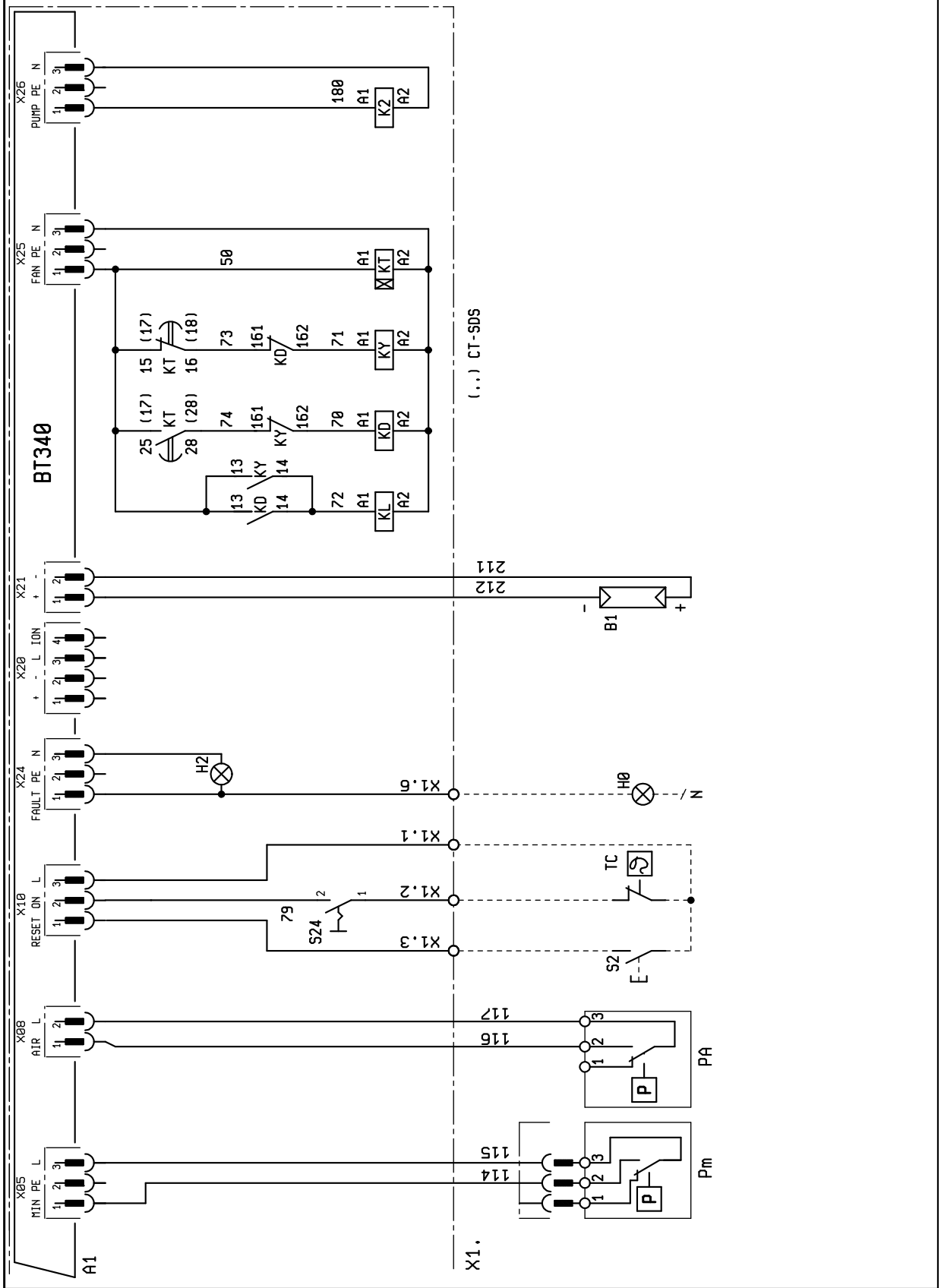
燃烧器以全自动方式运行。打开主开关和控制面板开关的操作将接通燃烧器。燃烧器的运行通过几个控制装置进行管理。当某一燃烧器或系统部件运行不正确时，燃烧器可以自动将自己设定在这一位置上。因此，最好的做法是确保在“复位”燃烧器之前没有异常情况发生。燃烧器可以无时限地停留在关闭位置上。解锁时需按住BT 340设备屏幕上的红色闪光按钮（“发送”键）。

可能是由于一些临时的不规则导致这样的断路；这样的情况一旦疏通，燃烧器就能正常重启。当重复（3-4次）发生断路时，不得再尝试重新启动操作，要先检查燃料是否到达燃烧器，并与当地的售后服务联系，以便正确地处理故障。





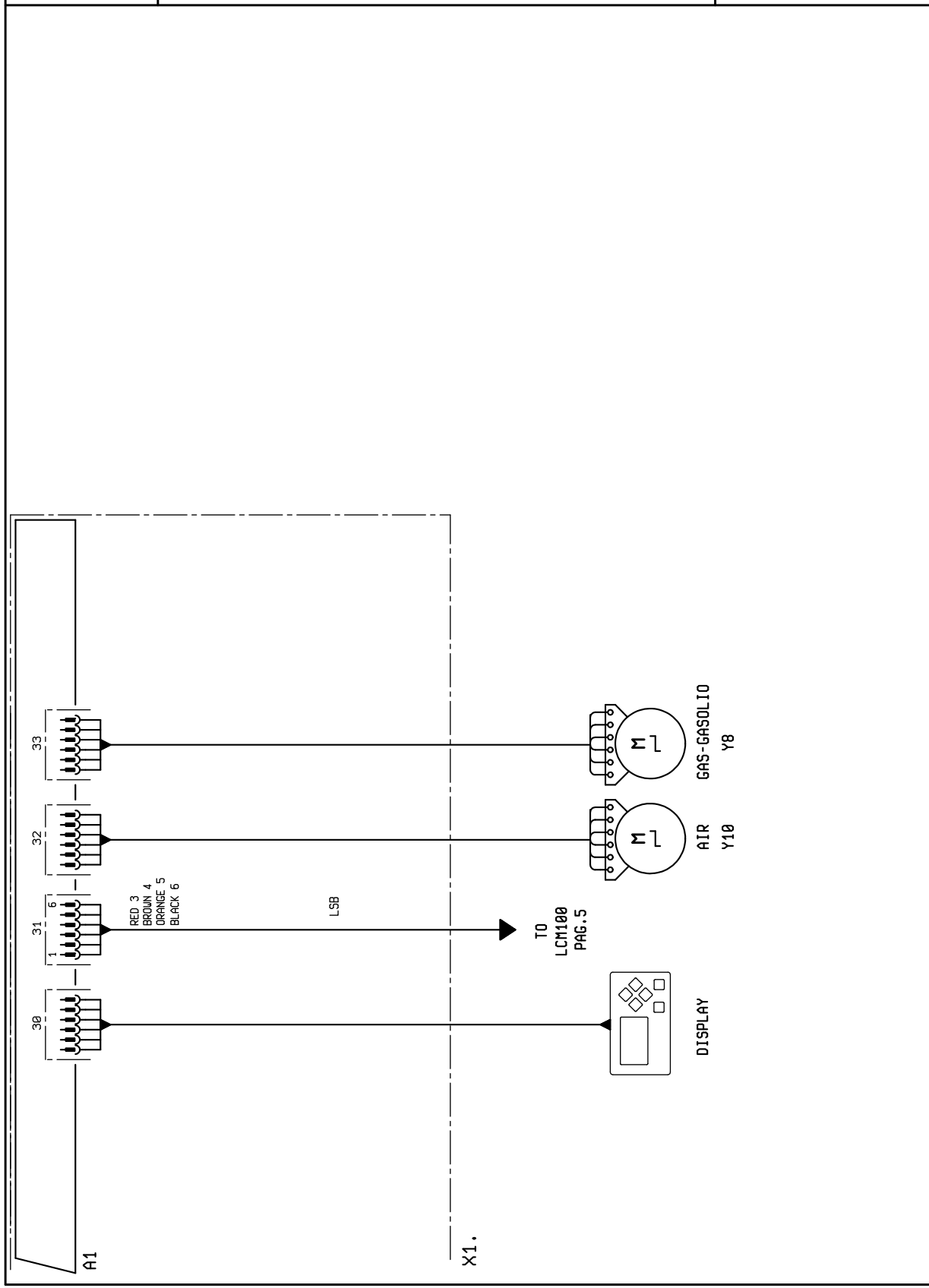


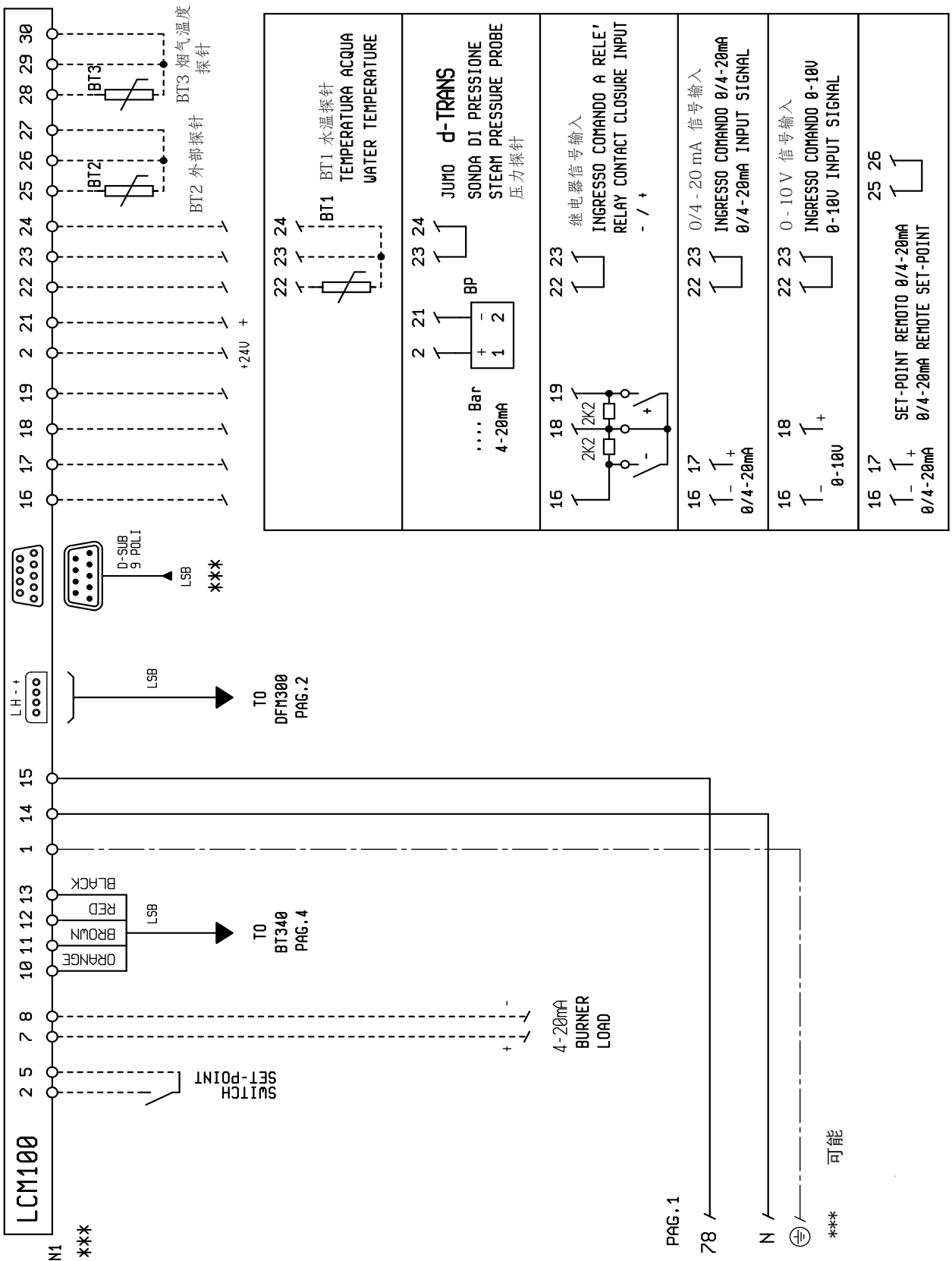


baltur
CENTO (FE)

SCHEMA ELETTRICO TBML 600-800 ME
ELECTRIC DIAGRAM TBML 600-800 ME

N° 0002631091N4
foglio N.4 di 6
data 02/04/13
Dis. S.Melloni
Visto S.Melloni



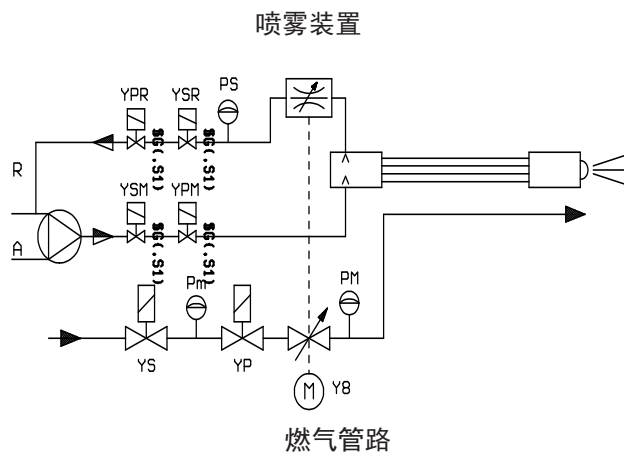


<p>BT1 水温探针 TEMPERATURA ACQUA WATER TEMPERATURE</p> <p>BT2 外部探针</p> <p>BT3 烟气温度 探针</p>	<p>JUMO d-TRANS SONDA DI PRESSIONE STEAM PRESSURE PROBE 压力探针</p> <p>继电器信号输入 INGRESSO COMANDO A RELE' RELAY CONTACT CLOSURE INPUT - / +</p>	<p>INGRESSO COMANDO 0/4-20mA 0/4-20mA INPUT SIGNAL</p> <p>INGRESSO COMANDO 0-10V 0-10V INPUT SIGNAL</p>	<p>SET-POINT REMOTO 0/4-20mA 0/4-20mA REMOTE SET-POINT</p>
--	--	---	--

PAG. 1
78
N
⊕
*** 可能

A1	设备
A8	双燃料设备
B1	UV光电池
F1	热继电器
F2	(油泵热继电器)
FU1	保险丝
H0	外部锁定灯
H1	运行灯
H10	柴油运行灯
H11	燃气运行灯
H2	A1锁定灯
H7	风机马达锁定灯
H8	泵机马达热锁定灯
K2	电机油泵接触器
KL	线路接触器
KD	三角接触器
KY	星形接触器
KT	定时器
MP	泵电机
MV	风机马达
N1	电子调节器
P M	最大压力开关
PA	空气压力开关
Pm	最小压力开关
PS	安全压力开关
S1	启动停止开关
S2	解锁按钮
S6	气-油选择器
S24	启动/关闭开关
SG	主开关
TA	点火变压器
TC	锅炉恒温器
TS	安全恒温器
X1	燃烧器端子接线板
X16	服务插头
Y8	燃气/柴油伺服马达
Y10	空气伺服马达
YP	主电磁阀
YPM	进给主电磁阀
YPR	返回主电磁阀
YS	安全电磁阀
YSM	进给安全电磁阀
YSR	返回安全电磁阀

DIN / IEC	
GNYE	绿 / 黄
BU	蓝
BN	棕
BK	黑
BK*	叠印黑色连接器







Baltur S.p.A.
Via Ferrarese, 10
44042 Cento (Fe) - Italy
Tel. +39 051-6843711
Fax: +39 051-6857527/28
www.baltur.it
info@baltur.it

- Technical data in this brochure are given as information only. Baltur reserves the right to change specification, without notice.
- Este catálogo es de un carácter meramente ilustrativo. Por lo tanto, la empresa se reserva toda posibilidad de cambio de los datos técnicos y lo que en ellos se encuentre descrito.
- Bu katalog, sadece bilgilendirme amaçlıdır. Üretici firma, bu nedenle, teknik verileri ve burada aktarılan diğer bilgileri değiştirme hakkını saklı tutar.
- Настоящий каталог носит исключительно информативный ориентировочный характер. Соответственно, изготовитель оставляет за собой все права на внесение изменений в технические данные и другие приведенные здесь характеристики.
- 该目录仅供参考。因此，我们保留技术数据可能变化的一切权力，而恕不予另行通知。