

## Bourdon tube pressure gauge with electrical output signal Stainless steel case Model PGT21

WIKA data sheet PV 11.03

**intelliGAUGE®**

### Applications

- CNG vehicles
- General machine building
- Medical gases

### Special features

- Non-contact sensor (wear-free)
- Robust stainless steel case
- Nominal size 50
- Scale ranges 0 ... 1.6 bar to 0 ... 400 bar
- Different output signals



Bourdon tube pressure gauge model PGT21

### Description

#### Design

EN 837-1

#### Nominal size in mm

50

#### Accuracy class

2.5

#### Scale ranges

0 ... 1.6 to 0 ... 400 bar

or all other equivalent vacuum or combined pressure and vacuum ranges

#### Pressure limitation

Steady: 3/4 x full scale value

Fluctuating: 2/3 x full scale value

Short time: Full scale value

#### Permissible temperature

Ambient: -20 ... +60 °C

Medium: +60 °C maximum

#### Temperature effect

When the temperature of the measuring system deviates from the reference temperature (+20 °C): max.  $\pm 0.4 \%$ /10 K of the span

#### Process connection

Cu-alloy,  
lower mount (LM) or centre back mount (CBM)  
G 1/4 B (male), 14 mm flats

#### Pressure element

Cu-alloy, C-type

#### Movement

Cu-alloy

#### Dial

Plastic, white, black lettering

#### Pointer

Plastic, black

**Case**

Stainless steel

**Window**

Plastic, crystal-clear (PC)

**Ingress protection**

IP 65 per EN 60529 / IEC 529

**Options**

- Other process connection (with adapter, Cu-alloy)
- Other electrical connections
- Ingress protection IP 67
- Accuracy class 1.6
- Other cable length

**Electronics****Output signal (275° indication angle)**With  $U_s = DC\ 5\ V$ , ratiometric:

0.5 ... 2.5 V, 0.5 ... 3.5 V or 0.5 ... 4.5 V

With  $U_s = DC\ 12\ \dots\ 32\ V$ , not ratiometric:

0.5 ... 2.5 V, 0.5 ... 3.5 V or 0.5 ... 4.5 V or

4 ... 20 mA, 2-wire

**Supply voltage ( $U_s$ )**

DC 5 V / DC 12 ... 32 V

**Electrical connections**

Cable outlet, standard length 2 m

Colour	2-wire	3-wire
red	$U_B +$	$U_B +$
black	GND	GND
orange	-	$U_{SIG} +$

**Electromagnetic compatibility**

Per test standards EN 61000-4-6 / EN 61000-4-3

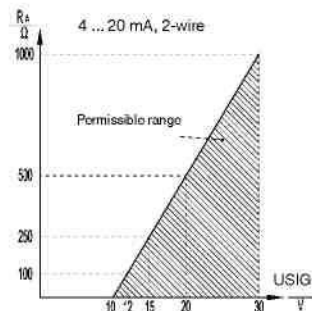
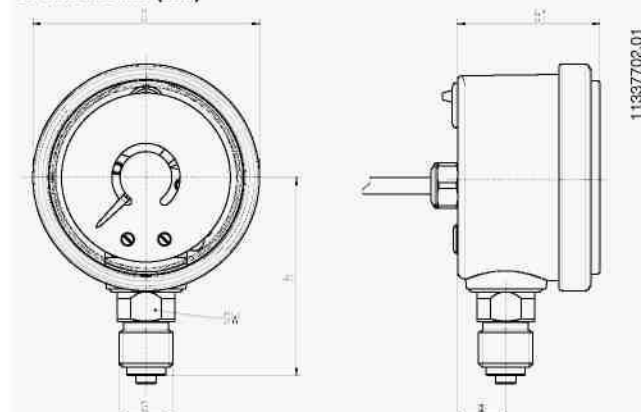
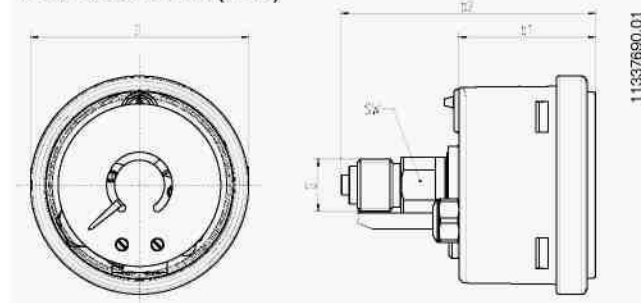
**Output signal and permissible load**

Voltage output (3-wire):

 $R_A > 5\ k\Omega$ 

Current output (2-wire)

4 ... 20 mA:

 $R_A \leq (U_{SIG} - 10\ V) / 0.02\ A$  with $R_A$  in  $\Omega$  and  $U_{SIG}$  in DC V**Dimensions in mm****Standard version****Lower mount (LM)****Centre back mount (CBM)**

NS	Dimensions in mm							Weight in kg	
	a	b <sub>1</sub>	b <sub>2</sub>	D	G	h	SW		
50	12	34	63	55	G 1/4 B	48	14	0.2	

Process connection per EN 837-1 / 7.3

**Ordering information**

Model / Nominal size / Scale range / Connection size / Connection location / Output signal / Options

© 2008 WIKA Alexander Wiegand SE &amp; Co. KG, all rights reserved.

The specifications given in this document represent the state of engineering at the time of publishing.

We reserve the right to make modifications to the specifications and materials.

ООО ТД «АЗТЭО»  
 624260, Россия Свердловская область,  
 г. Асбест, пр. Ленина, 8/3  
 Тел: 8 (34365) 2-87-74, 2-45-52  
 Факс: 8 (34365) 2-87-74  
 E-mail: zakaz@azteo.ru